

BOX CULVERTS & TUNNELS

H

Index

Product	Drawing Number	Page
Wingwall Cribwall Style	Cribwall	H1
Box Culvert Turning Sections and Skewed Ends	22BC3	H2
Box Culvert Sloped Ends and Wing Walls	22BC2	H3
Box Culvert Standard Section	22BC1	H4
3 Sided Box Standard Section	22BC5	H5
Precast Trench	22PT2	H6
Precast Trench Standard Corner Details	22PT3	H7

Notes to Specifiers:

Box Culverts are designed structurally to meet the appropriate sections of ASTM C789, ASTM C850 and/or AASHTO M273 according to specified loading conditions and earth cover.

Our staff will provide a detailed layout of individual box segments including straight sections, turning sections, cleanouts and various configurations as needed to complete your job.

Precast concrete tunnel sections can be used for the housing of steam, electrical, utility and drainage lines. The underground structure provides protection from damaging elements and allows for easy access to lines.

Our staff will assist you with your specific design criteria.

AVAILABLE PRODUCTS:

- Box
- Tow Walls
- Wing Walls
- Head Walls
- Aprons
- Railroad and Airport Loading
- Skewed and Turning Sections

Binghamton



**Precast
& Supply**

18 Phelps Street, Binghamton, NY 13901

Fax: (607) 722-0496

Email: sales@binghamtonprecast.com

Phone: (607) 722-0334

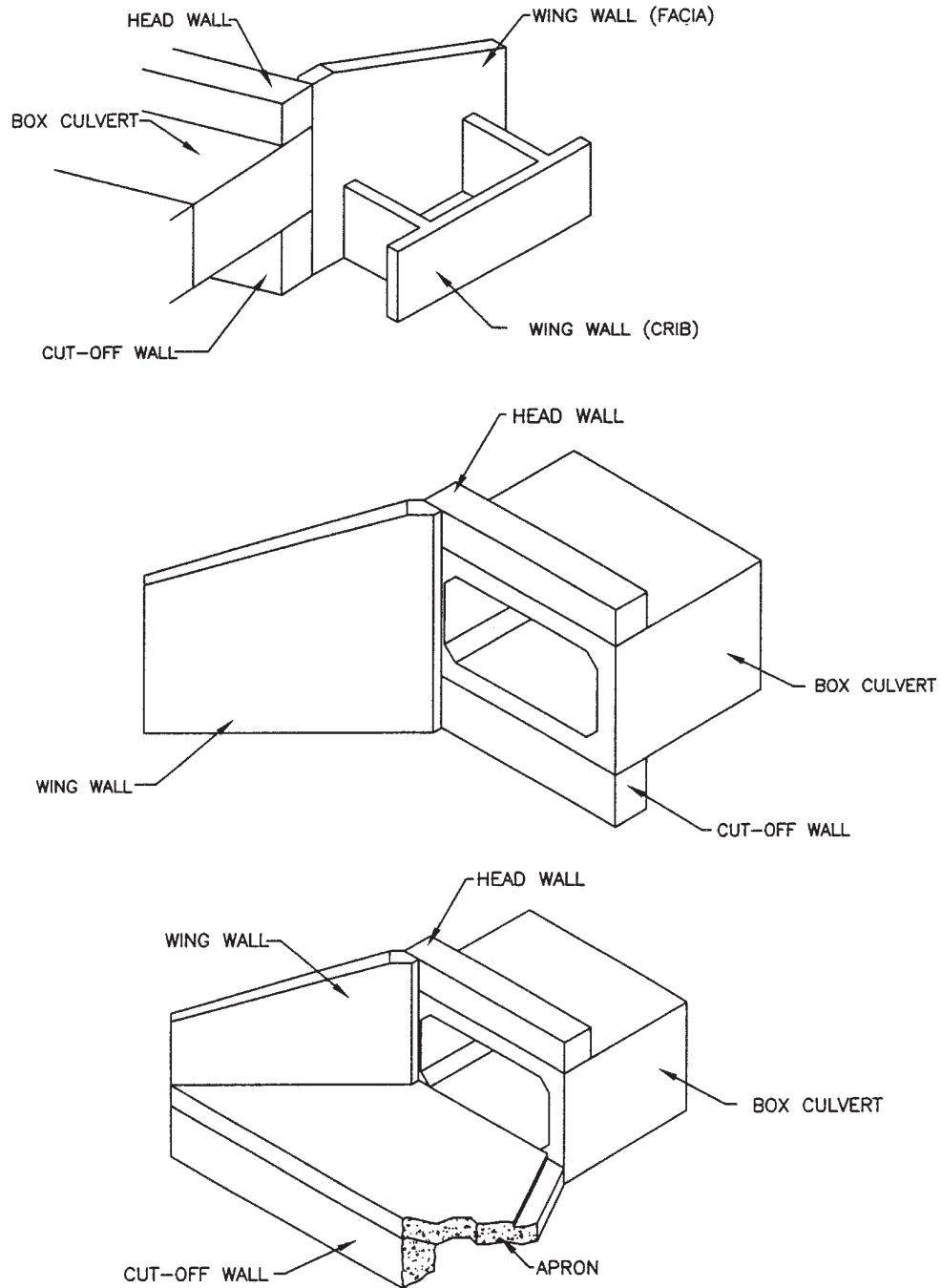
Toll Free: 1-800-336-1474

Website: www.binghamtonprecast.com

H1

Wingwall Cribwall Style

Drawing Number Cribwall



- Designed to Meet your Project Specifications

18 Phelps Street, Binghamton, NY 13901

Fax: (607) 722-0496

Email: sales@binghamtonprecast.com

Phone: (607) 722-0334

Toll Free: 1-800-336-1474

Website: www.binghamtonprecast.com

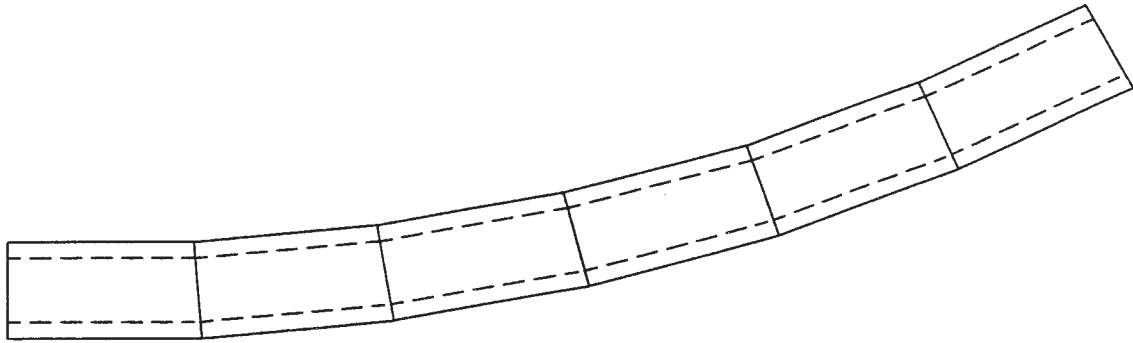
Binghamton



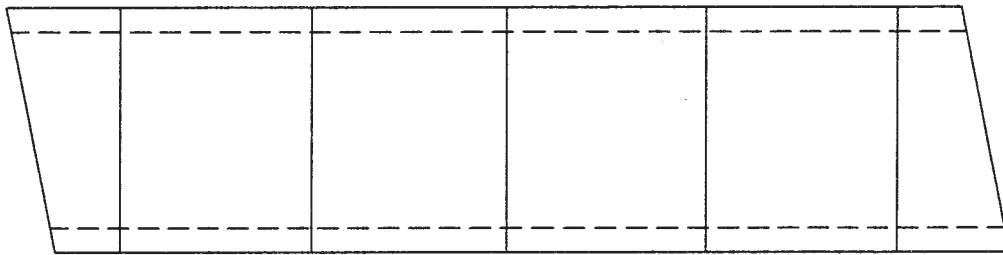
**Precast
& Supply**

Box Culvert Turning Sections And Skewed Ends H2

Drawing Number 22BC3



Turning Sections



Skewed Ends

Binghamton



**Precast
& Supply**

18 Phelps Street, Binghamton, NY 13901

Fax: (607) 722-0496

Email: sales@binghamtonprecast.com

Phone: (607) 722-0334

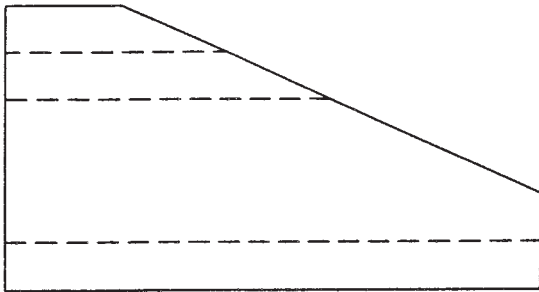
Toll Free: 1-800-336-1474

Website: www.binghamtonprecast.com

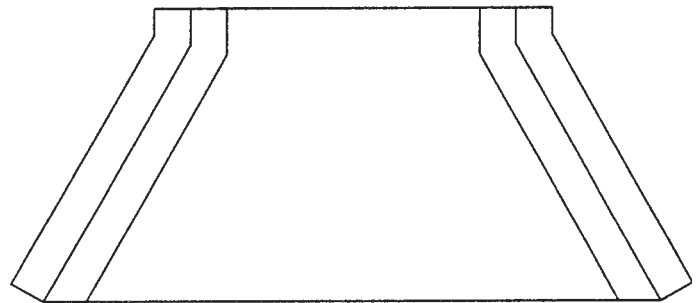
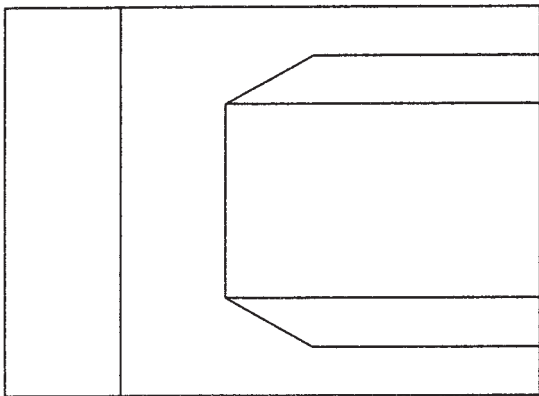
H3

Box Culvert Sloped Ends And Wing Walls

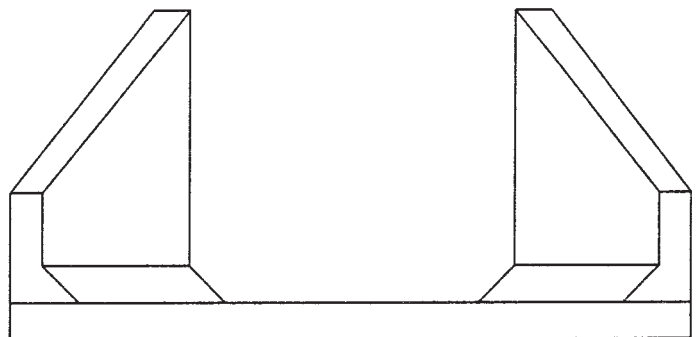
Drawing Number 22BC2



Sloped Ends



Wing Walls



18 Phelps Street, Binghamton, NY 13901

Fax: (607) 722-0496

Email: sales@binghamtonprecast.com

Phone: (607) 722-0334

Toll Free: 1-800-336-1474

Website: www.binghamtonprecast.com

Binghamton

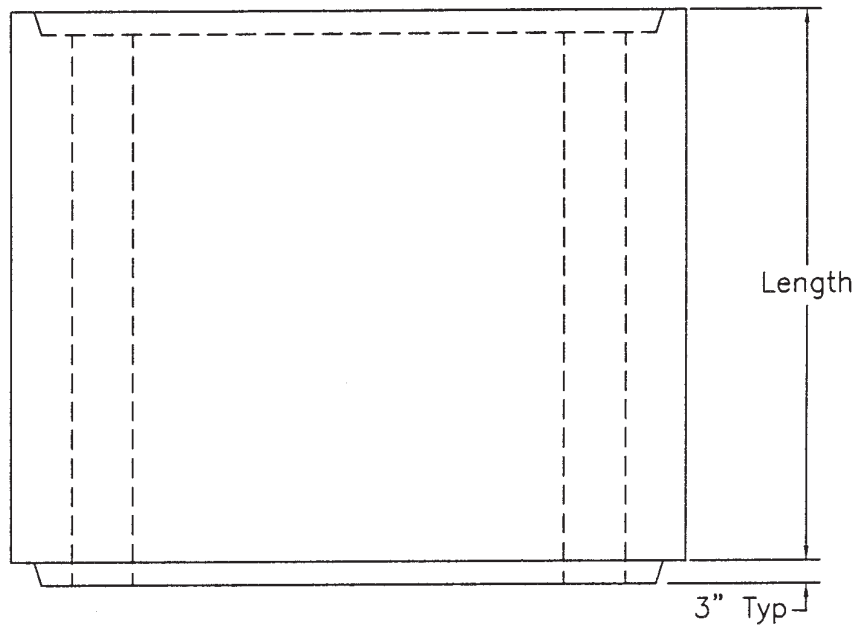
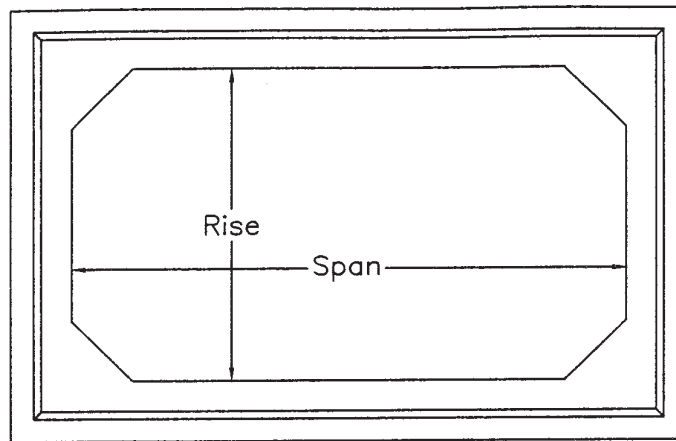


**Precast
& Supply**

Box Culvert Standard Section

H4

Drawing Number 22BC1



- Span x Rise as specified
- Design load AASHTO HS20 or as specified
- Designs meet ASTM C789 or ASTM C850 as appropriate

Binghamton



**Precast
& Supply**

18 Phelps Street, Binghamton, NY 13901

Fax: (607) 722-0496

Email: sales@binghamtonprecast.com

Phone: (607) 722-0334

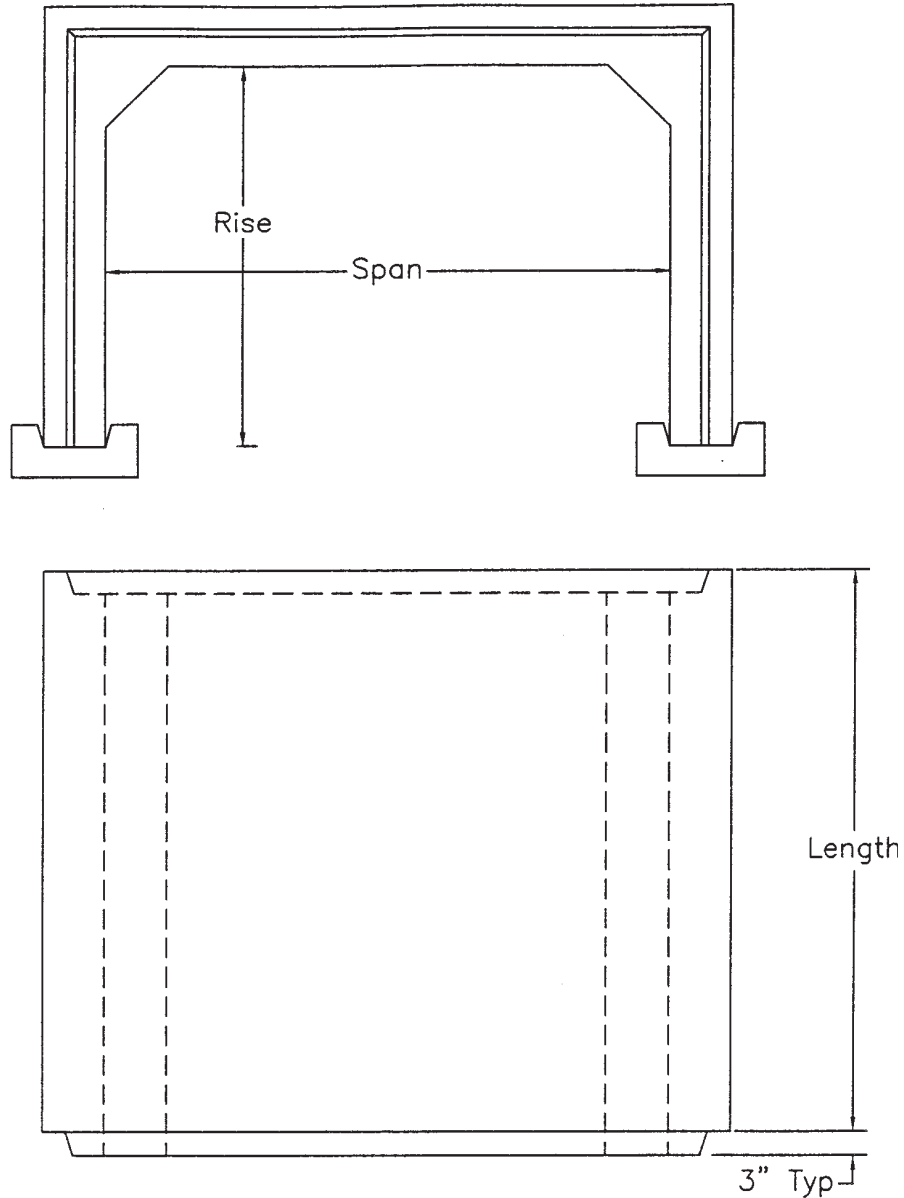
Toll Free: 1-800-336-1474

Website: www.binghamtonprecast.com

H5

3 Sided Box Standard Section

Drawing Number 22BC5



- Span x Rise as specified
- Design load AASHTO HS20 or as specified
- Designs meet ASTM C789 or ASTM C850 as appropriate

18 Phelps Street, Binghamton, NY 13901

Fax: (607) 722-0496

Email: sales@binghamtonprecast.com

Phone: (607) 722-0334

Toll Free: 1-800-336-1474

Website: www.binghamtonprecast.com

Binghamton

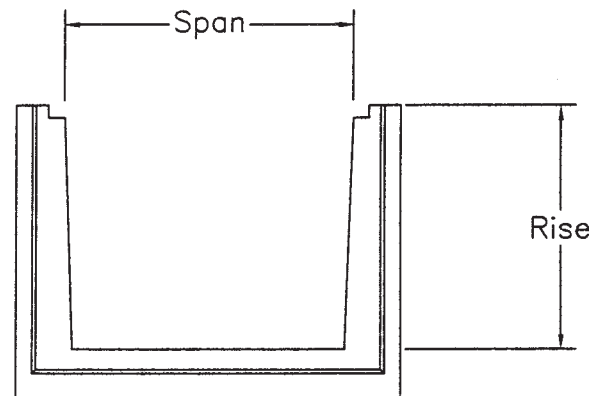
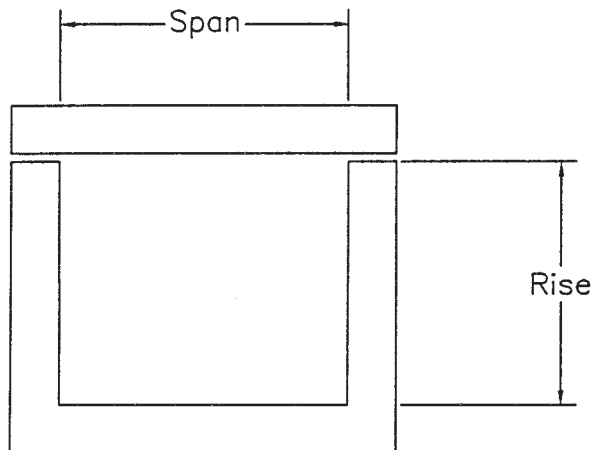
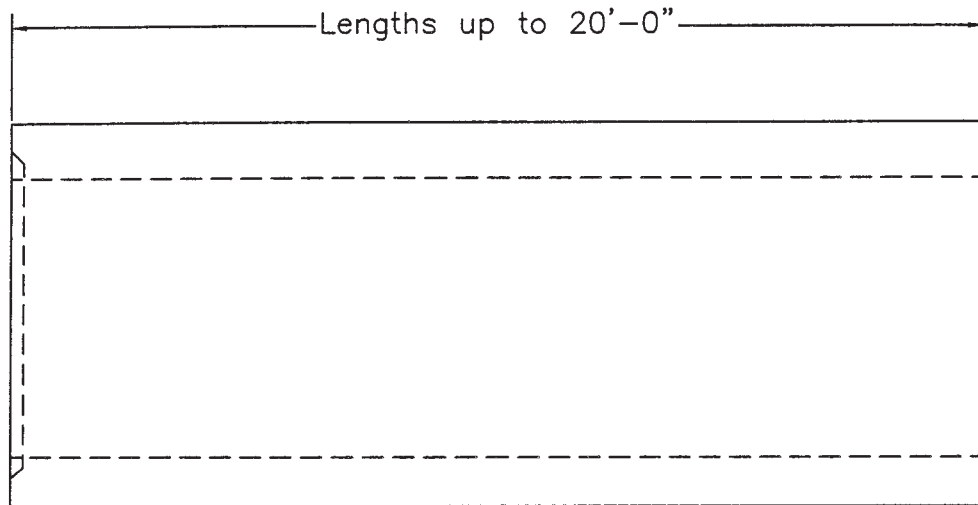


**Precast
& Supply**

Precast Trench w/Cover or Grate

H6

Drawing Number 22PT1



- Optional: Cover slab
Frame
Butyle for joints
Pipe supports
Mechanical fasteners
- Span X Rise as specified
- Span 2'-0" min X 6" increments
- Length 20'-0" max X 3" increments
- Rise 5'-0" max X 3" increments

Binghamton



**Precast
& Supply**

18 Phelps Street, Binghamton, NY 13901

Fax: (607) 722-0496

Email: sales@binghamtonprecast.com

Phone: (607) 722-0334

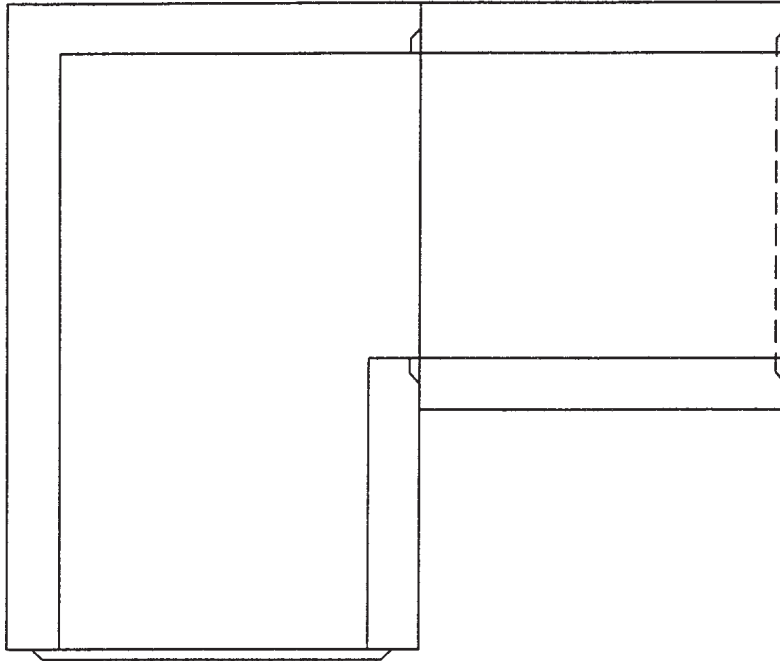
Toll Free: 1-800-336-1474

Website: www.binghamtonprecast.com

H7

Precast Trench Optional Corner Details

Drawing Number 22PT3



90° 'ELL'

- Typical turning section for expansion loops.

18 Phelps Street, Binghamton, NY 13901

Fax: (607) 722-0496

Email: sales@binghamtonprecast.com

Phone: (607) 722-0334

Toll Free: 1-800-336-1474

Website: www.binghamtonprecast.com

Binghamton



**Precast
& Supply**