

# SEPTIC TANKS & PRODUCTS

**E**

## Index

Product	Drawing Number	Page
750 Gallon Septic Tank Single Compartment.....	01750 .....	E1
1000 Gallon Septic Tank Single Compartment.....	011000 .....	E2
1000 Gallon Seamless Septic Tank Dual Compartment.....	01-000DS .....	E3
1000 Gallon Seamless Septic Tank Single Compartment.....	01-0077B .....	E4
1000 Gallon Septic Tank Dual Compartment .....	011000D.....	E5
1250 Gallon Septic Tank Dual Compartment .....	011250 .....	E6
1500 Gallon Septic Tank Dual Compartment .....	011500 .....	E7
2000 Gallon Septic Tank Dual Compartment .....	012000 .....	E8
2500 Gallon Septic Tank Dual Compartment .....	012500 .....	E9
3,000 - 4,000 Gallon Septic Tank .....	01304 .....	E10
4,000 - 8,000 Gallon Septic Tank Dual Compartment .....	01408 .....	E11
6,000 - 20,000 Gallon Septic Tanks Dual Compartment .....	01055 .....	E12
5 Outlet Distribution Box .....	02050 .....	E13
8 Outlet Distribution Box .....	02080 .....	E14
12 Outlet Distribution Box .....	02012 .....	E15
60 Gallon Chlorine Contact Tank.....	02060 .....	E16
75 Gallon Pump Station .....	02075P.....	E17
300 Gallon Pump Station .....	02300P.....	E18
750 Gallon Pump Station Single Compartment.....	750PS.....	E19
Stand Pipes and Covers .....	02126 .....	E20
Drywell and Miscellaneous Cover Slabs .....	02302 .....	E21

Consider the following ancilliary products when specifying septic systems:

- PVC Pipe and fitting
- Pipe Cement
- Rubber Couplings
- Cleanout extensions
- Speed Levelers
- Chlorine Contact Chambers
- Geotextile/Filter Fabric
- Access Opening Size
- Sewage pumps and apparatus
- Zabel Filters
- Syphons

Available Tank Sizes & Products Include:

750 Gal	2000 Gal	4000 Gal	10,000 Gal	Chlorine Chambers	Packaged Pump Stations
1000 Gal	2500 Gal	5000 Gal	13,000 Gal	Leach Pits	75, 300 and 750 gal.
1250 Gal	3000 Gal	6000 Gal	10,500 Gal	Flow Defusers	Distribution Boxes
1500 Gal	3500 Gal	8000 Gal	20,000 Gal	Cleanout Extension Pipes	5, 8 and 12 outlets

### Notes to Specifiers:

Our septic products are designed to meet the criteria established by most states and local environmental health departments. Most products are available in both non-traffic and HS20 load capacities. Please specify the appropriate loading condition for your specific job.

Inlet and outlet seals are included in many septic tanks and other products to help assure watertight pipe connections. Tank halves are joined with butyl seal at our plant to assure water tightness.

**Binghamton**



**Precast  
& Supply**

18 Phelps Street, Binghamton, NY 13901

Fax: (607) 722-0496

Email: [sales@binghamtonprecast.com](mailto:sales@binghamtonprecast.com)

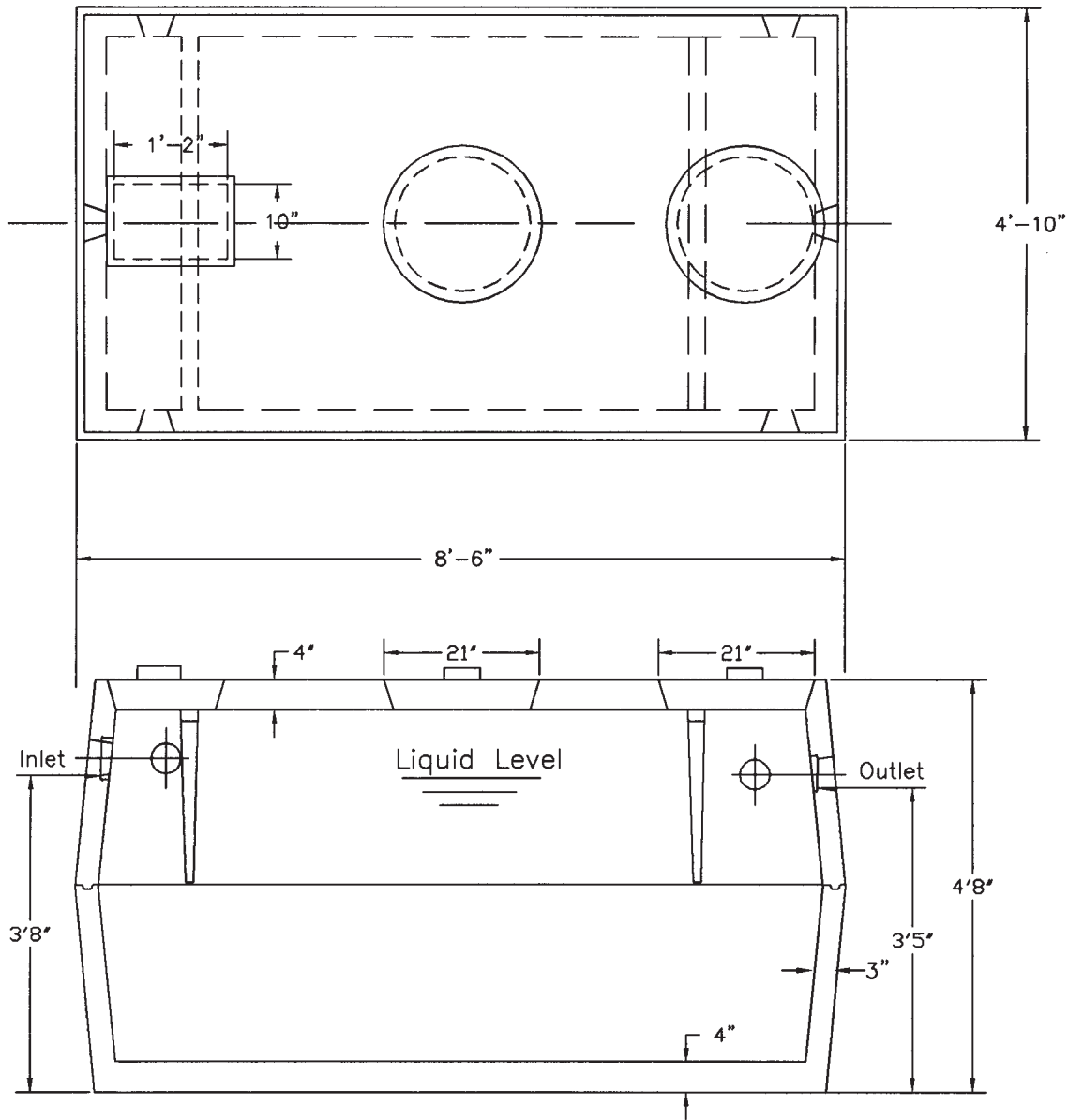
Phone: (607) 722-0334

Toll Free: 1-800-336-1474

Website: [www.binghamtonprecast.com](http://www.binghamtonprecast.com)

# E1 750 Gallon Septic Tank Single Compartment

Drawing Number 01750



- 3 optional inlets
- 3 optional outlets
- Non-traffic bearing shown
- Traffic bearing design available

- Base sec. wt. - 3950 lbs.
- Top sec. wt. - 4440 lbs.

18 Phelps Street, Binghamton, NY 13901

Fax: (607) 722-0496

Email: [sales@binghamtonprecast.com](mailto:sales@binghamtonprecast.com)

Phone: (607) 722-0334

Toll Free: 1-800-336-1474

Website: [www.binghamtonprecast.com](http://www.binghamtonprecast.com)

**Binghamton**

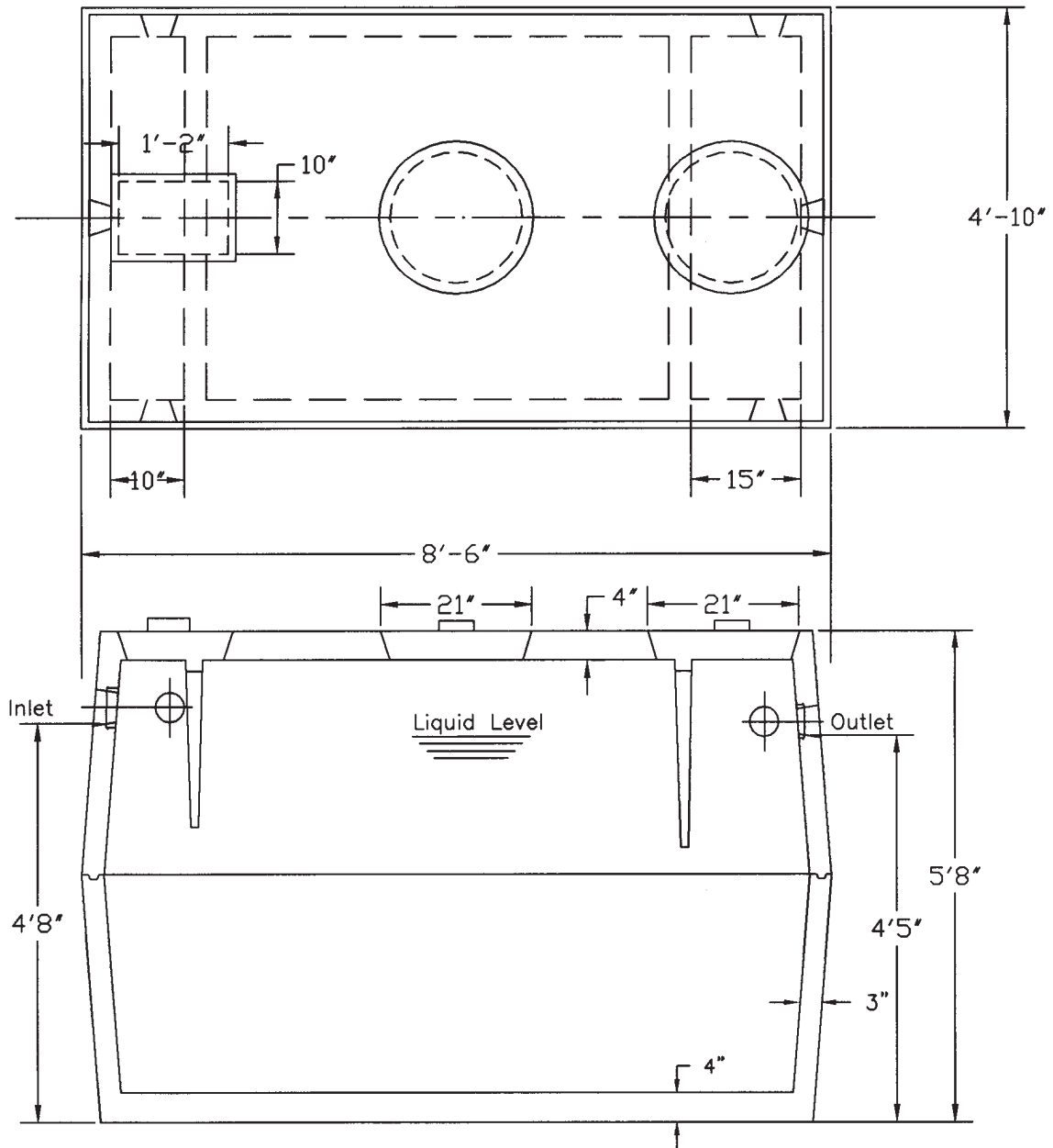


**Precast  
& Supply**

# 1000 Gallon Septic Tank Single Compartment

# E2

Drawing Number 011000



- 3 optional inlets
- 3 optional outlets
- Non-traffic bearing shown
- Traffic bearing design available

- Base sec. wt. - 4430 lbs.
- Top sec. wt. - 4880 lbs.

**Binghamton**



**Precast  
& Supply**

18 Phelps Street, Binghamton, NY 13901

Fax: (607) 722-0496

Email: [sales@binghamtonprecast.com](mailto:sales@binghamtonprecast.com)

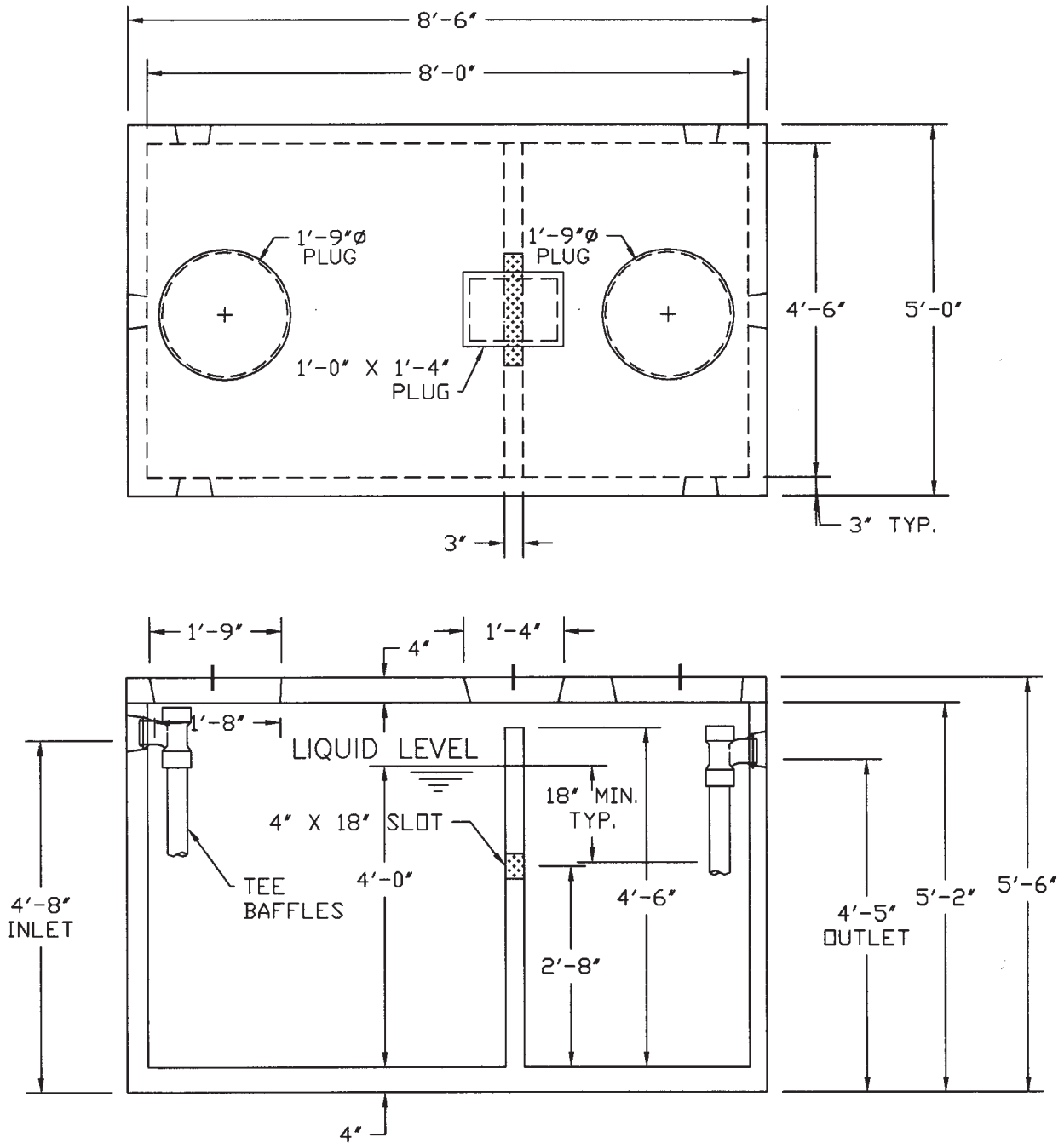
Phone: (607) 722-0334

Toll Free: 1-800-336-1474

Website: [www.binghamtonprecast.com](http://www.binghamtonprecast.com)

# E3 1000 Gallon Seamless Septic Tank Dual Compartment

Drawing Number 011000DS



- 3 optional inlets
- 3 optional outlets
- Non-traffic bearing shown
- Traffic bearing design available

- Base sec. wt. - 7,922 lbs.
- Top sec. wt. - 2,285 lbs.

18 Phelps Street, Binghamton, NY 13901

Fax: (607) 722-0496

Email: [sales@binghamtonprecast.com](mailto:sales@binghamtonprecast.com)

Phone: (607) 722-0334

Toll Free: 1-800-336-1474

Website: [www.binghamtonprecast.com](http://www.binghamtonprecast.com)

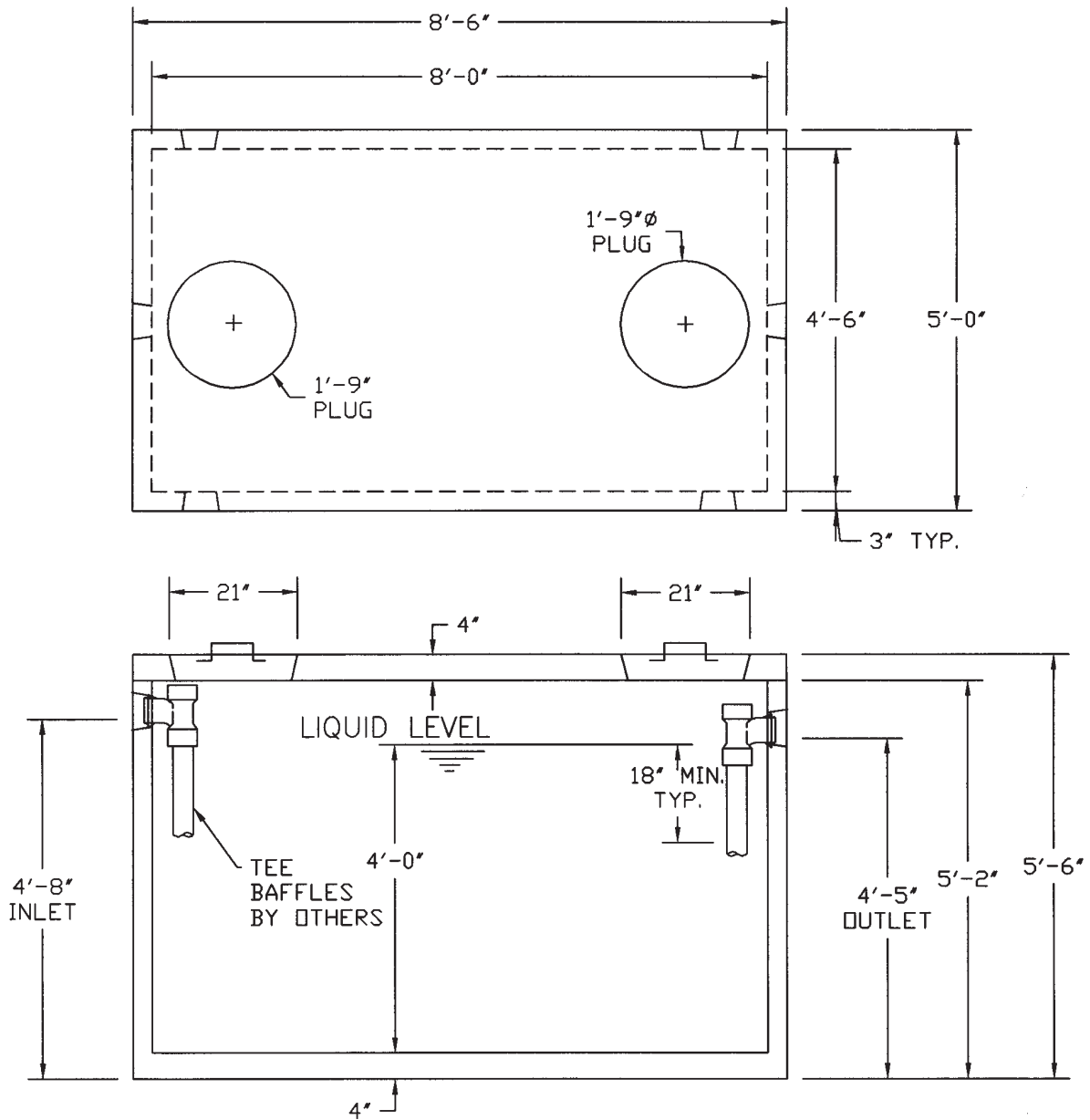
**Binghamton**



**Precast  
& Supply**

# 1000 Gallon Seamless Septic Tank Single Compartment E4

Drawing Number 01-0077b



- 3 optional inlets
- 3 optional outlets
- Non-traffic bearing shown
- Traffic bearing design available
- Base sec. wt. - 7,149 lbs.
- Top sec. wt. - 2,285 lbs.

**Binghamton**



**Precast  
& Supply**

18 Phelps Street, Binghamton, NY 13901

Fax: (607) 722-0496

Email: [sales@binghamtonprecast.com](mailto:sales@binghamtonprecast.com)

Phone: (607) 722-0334

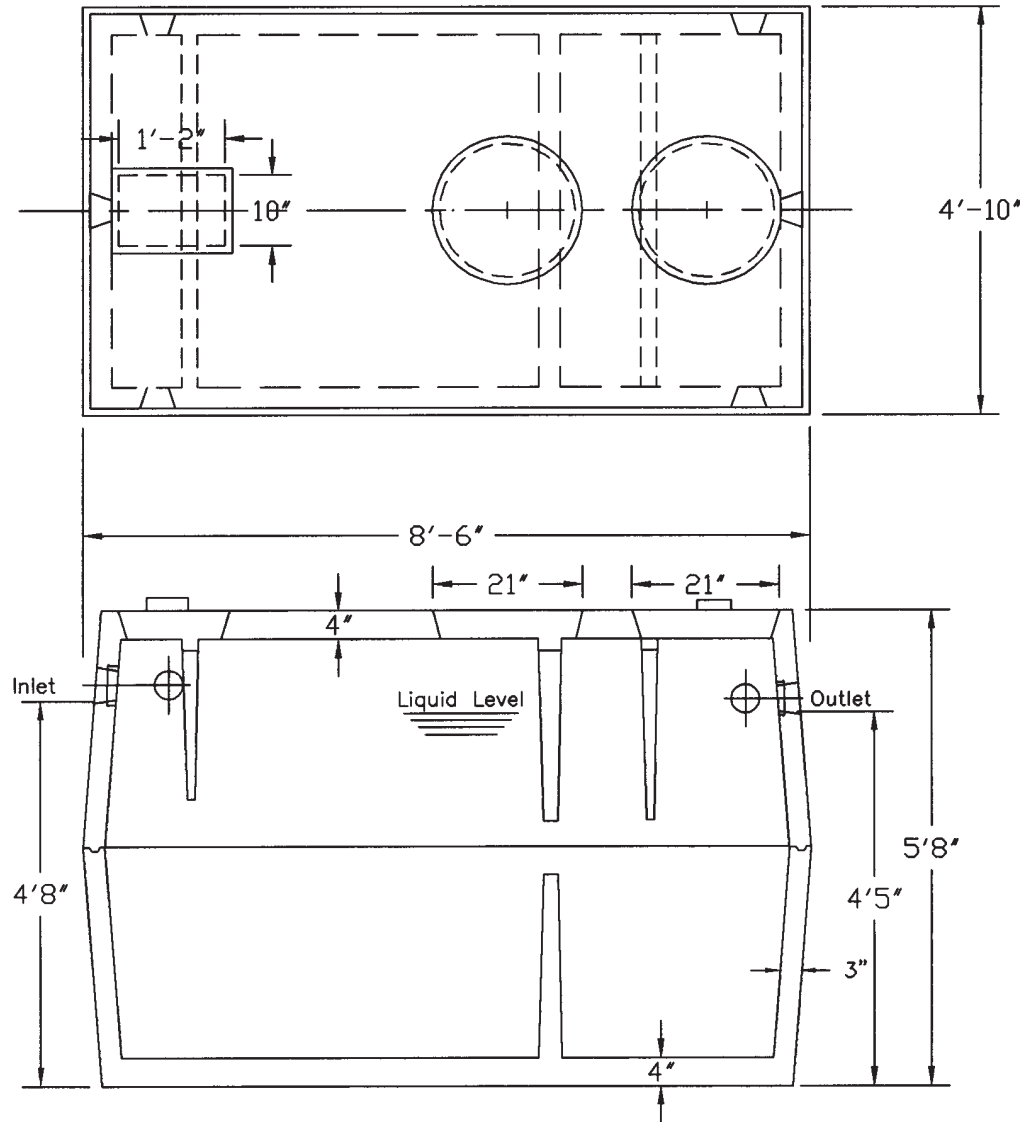
Toll Free: 1-800-336-1474

Website: [www.binghamtonprecast.com](http://www.binghamtonprecast.com)

# E5

# 1000 Gallon Septic Tank Dual Compartment

Drawing Number 011000D



- 3 optional inlets
- 3 optional outlets
- Non-traffic bearing shown
- Traffic bearing design available

- Base sec. wt. - 4800 lbs.
- Top sec wt. - 4800 lbs.

18 Phelps Street, Binghamton, NY 13901

Fax: (607) 722-0496

Email: [sales@binghamtonprecast.com](mailto:sales@binghamtonprecast.com)

Phone: (607) 722-0334

Toll Free: 1-800-336-1474

Website: [www.binghamtonprecast.com](http://www.binghamtonprecast.com)

**Binghamton**

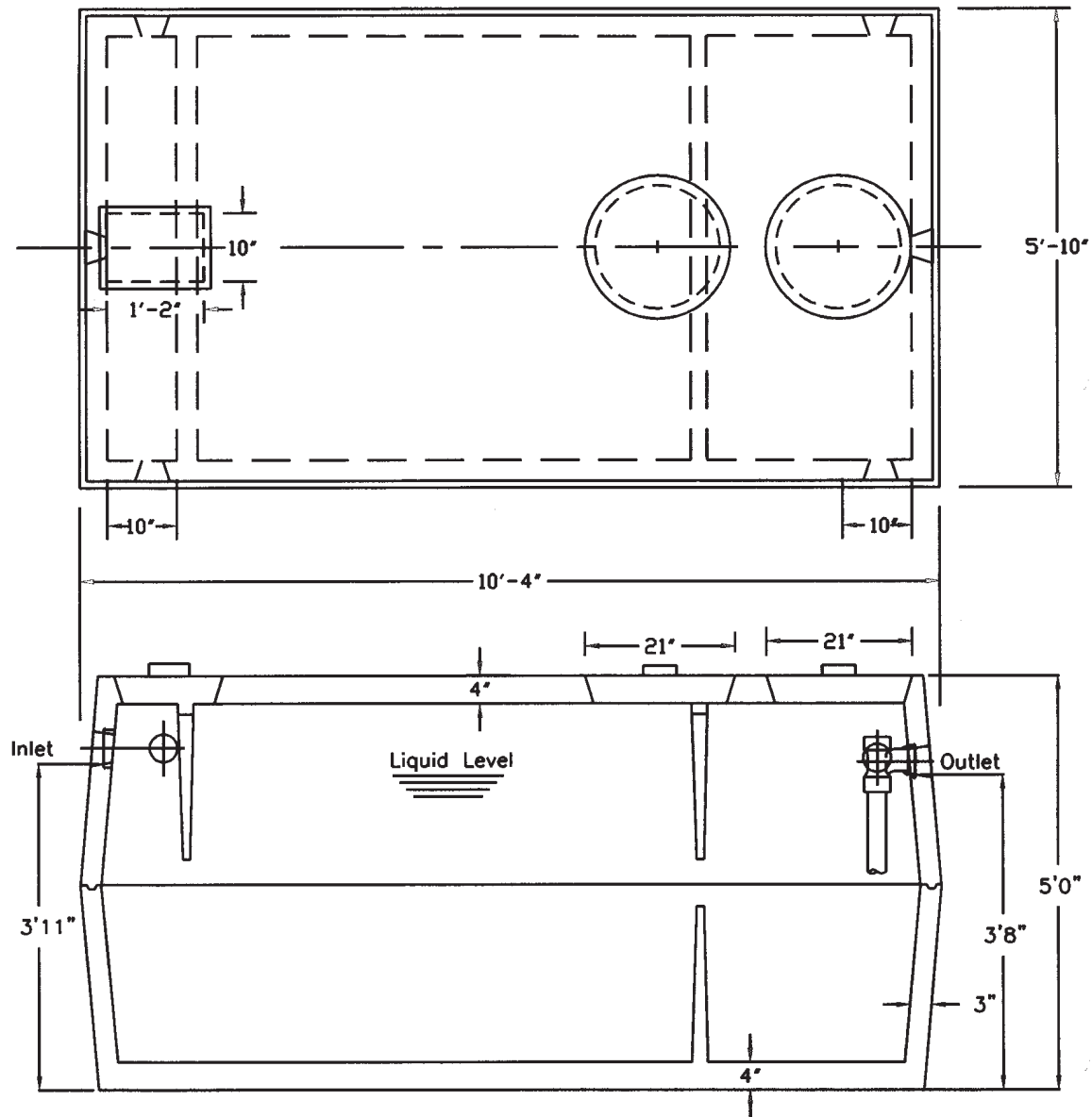


**Precast  
& Supply**

# 1250 Gallon Septic Tank Dual Compartment

E6

Drawing Number 011250



- 3 optional inlets
- 3 optional outlets
- Non-traffic bearing
- Traffic bearing design available
- Base sec. wt. - 4800 lbs.
- Top sec. wt. - 5400 lbs.

**Binghamton**



**Precast  
& Supply**

18 Phelps Street, Binghamton, NY 13901

Fax: (607) 722-0496

Email: [sales@binghamtonprecast.com](mailto:sales@binghamtonprecast.com)

Phone: (607) 722-0334

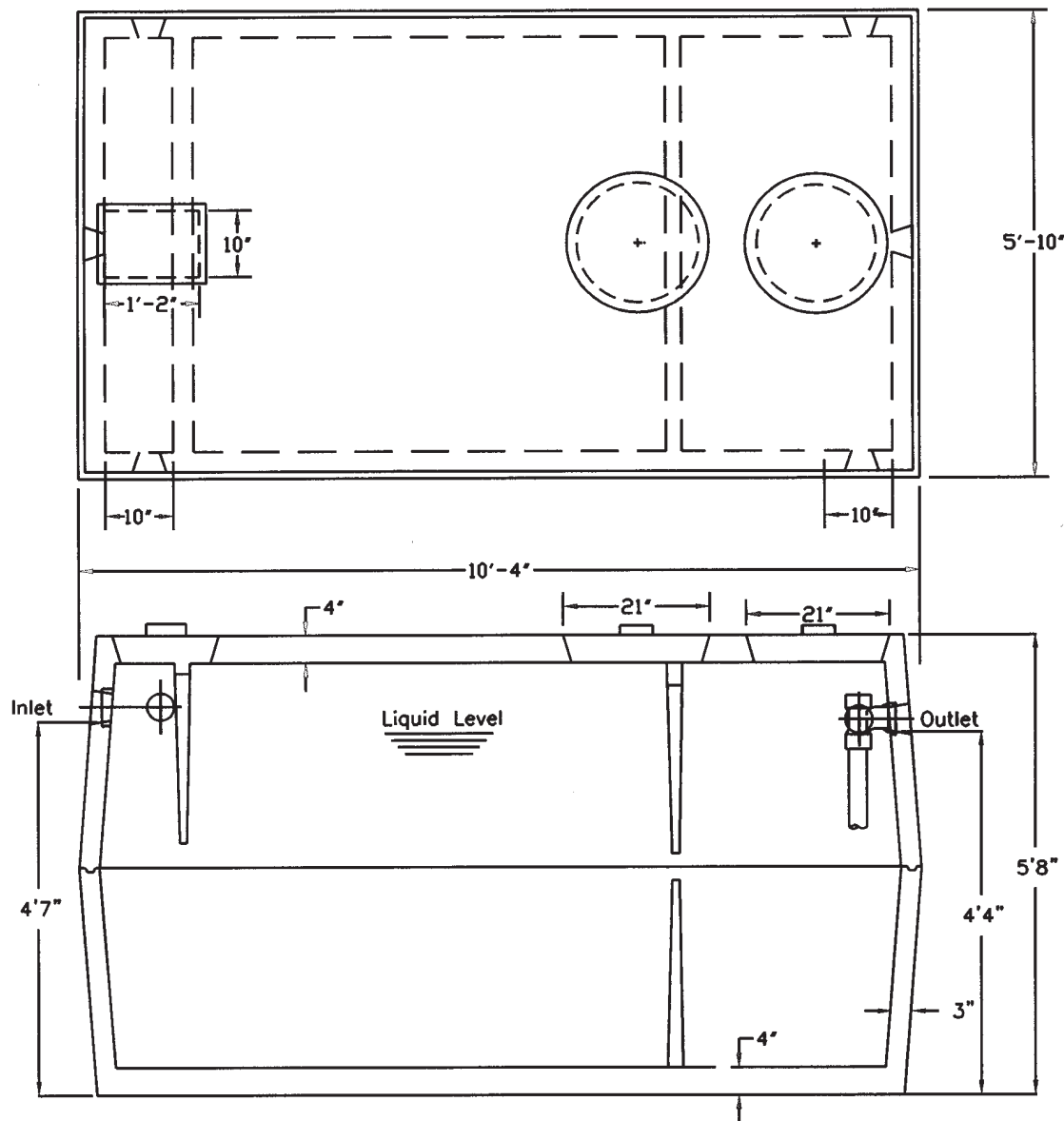
Toll Free: 1-800-336-1474

Website: [www.binghamtonprecast.com](http://www.binghamtonprecast.com)

# E7

# 1500 Gallon Septic Tank Dual Compartment

Drawing Number 011500



- 3 optional inlets
- 3 optional outlets
- Non-traffic bearing shown
- Traffic bearing design available
- Base sec. wt. - 5200 lbs.
- Top sec. wt. - 5800 lbs.

18 Phelps Street, Binghamton, NY 13901

Fax: (607) 722-0496

Email: [sales@binghamtonprecast.com](mailto:sales@binghamtonprecast.com)

Phone: (607) 722-0334

Toll Free: 1-800-336-1474

Website: [www.binghamtonprecast.com](http://www.binghamtonprecast.com)

**Binghamton**



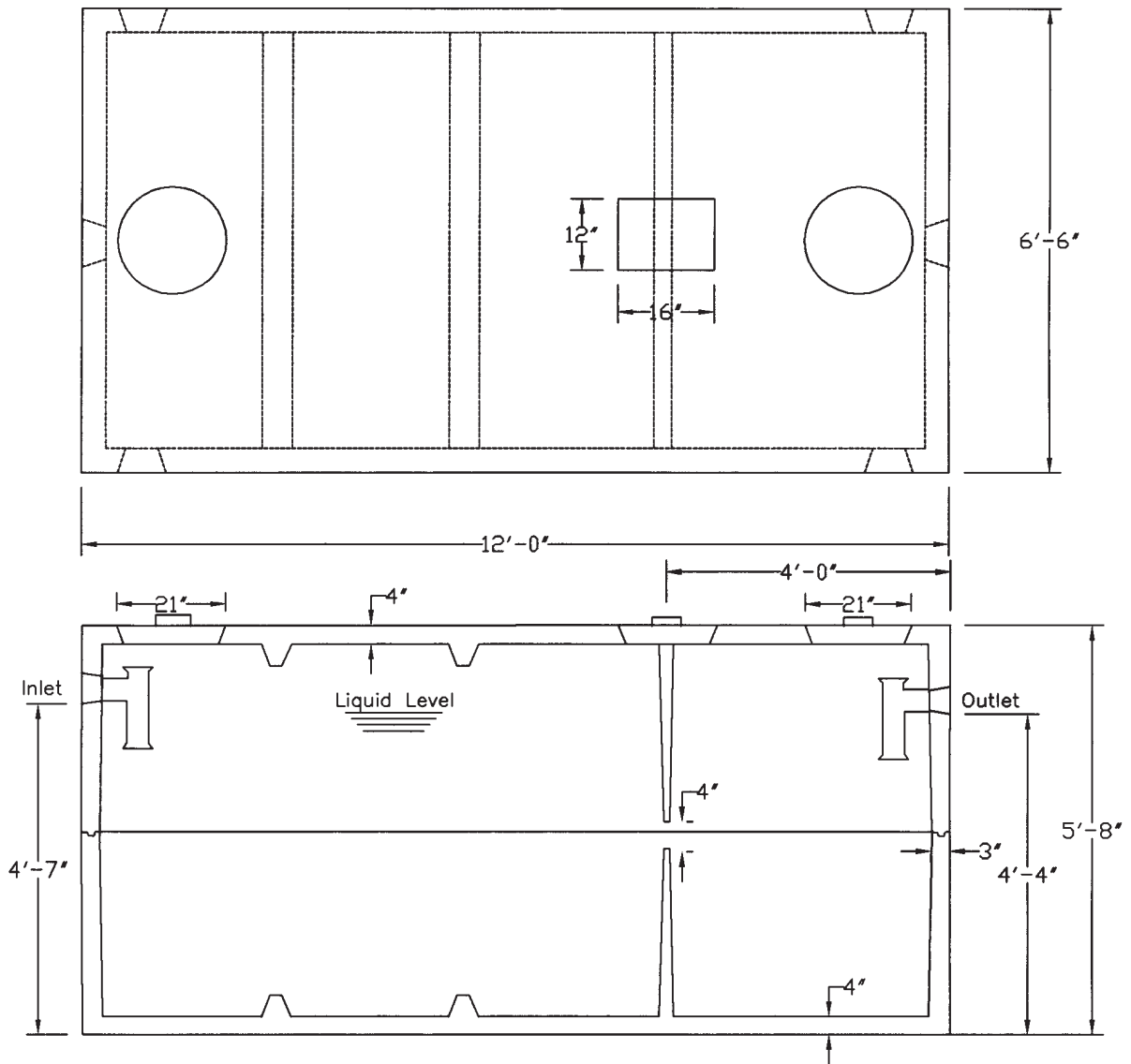
**Precast  
& Supply**



# 2000 Gallon Septic Tank Dual Compartment

E8

Drawing Number 012000



- 3 Optional inlets
- 3 Optional outlets
- Non-traffic bearing shown
- Traffic bearing design available

- Bottom sec. wt. = 6900 lbs.
- Top sec. wt. = 6900 lbs.

**Binghamton**



**Precast  
& Supply**

18 Phelps Street, Binghamton, NY 13901

Fax: (607) 722-0496

Email: [sales@binghamtonprecast.com](mailto:sales@binghamtonprecast.com)

Phone: (607) 722-0334

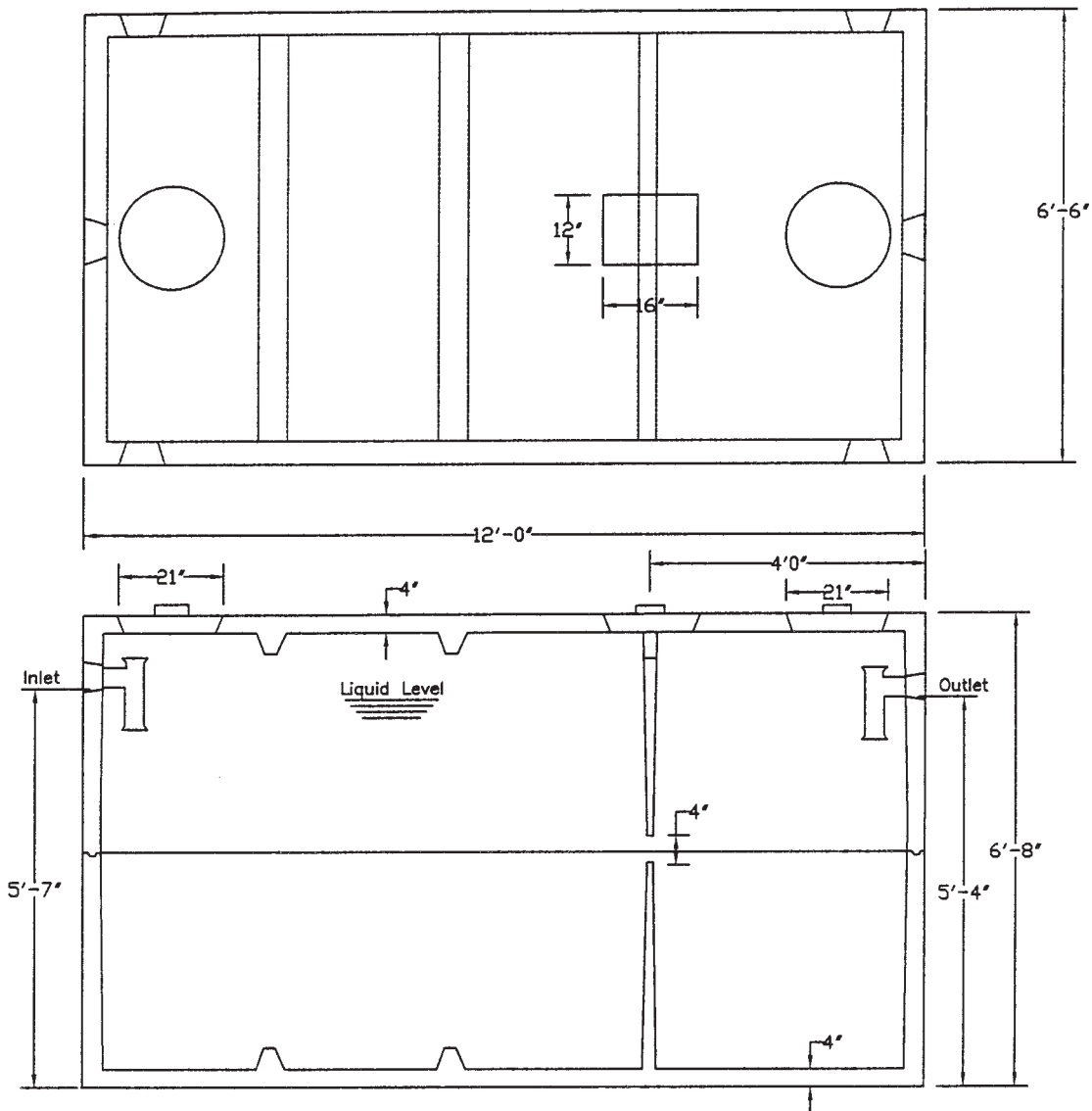
Toll Free: 1-800-336-1474

Website: [www.binghamtonprecast.com](http://www.binghamtonprecast.com)

# E9

# 2500 Gallon Septic Tank Dual Compartment

Drawing Number 01304



- 3 Optional inlets
- 3 Optional outlets
- Non-traffic bearing
- Traffic bearing design available

- Bottom Sec. Wt. - 7900 lbs
- Top Sec. Wt. - 7900 lbs

18 Phelps Street, Binghamton, NY 13901

Fax: (607) 722-0496

Email: [sales@binghamtonprecast.com](mailto:sales@binghamtonprecast.com)

Phone: (607) 722-0334

Toll Free: 1-800-336-1474

Website: [www.binghamtonprecast.com](http://www.binghamtonprecast.com)

**Binghamton**



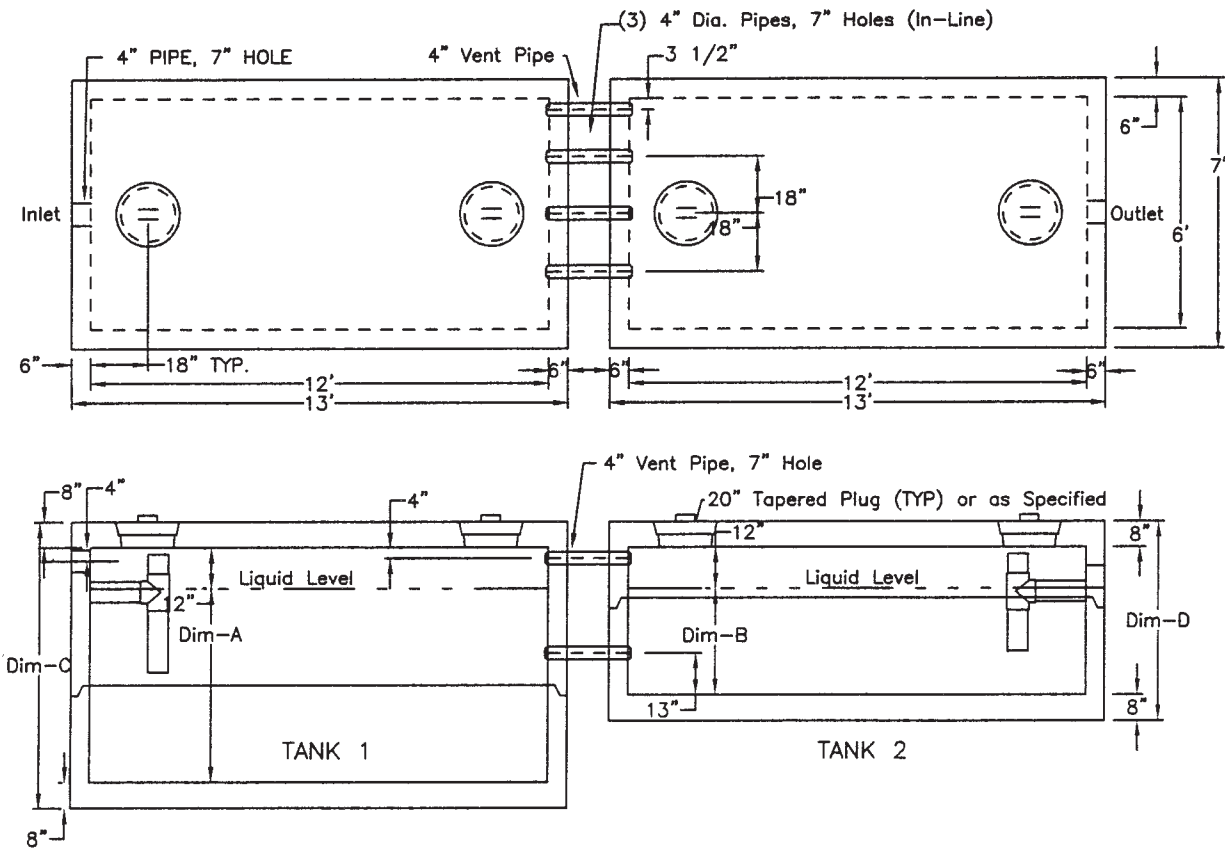
**Precast  
& Supply**

# 3,000 - 4,000 Gallon Septic Tank

# E10

Drawing Number 01304

TANK SELECTION CHART				
TOTAL CAPACITY	Dim-A	Dim-B	Dim-C	Dim-D
3000 GAL.	4'-0"	1'-9"	6'-4"	4'-1"
3500 GAL.	4'-9"	2'-0"	7'-1"	4'-4"
4000 GAL.	5'-0"	2'-9"	11'-8"	5'-1"



. AASHTO HS20 or A.03 Loading Available

**Binghamton**



**Precast  
& Supply**

18 Phelps Street, Binghamton, NY 13901

Fax: (607) 722-0496

Email: [sales@binghamtonprecast.com](mailto:sales@binghamtonprecast.com)

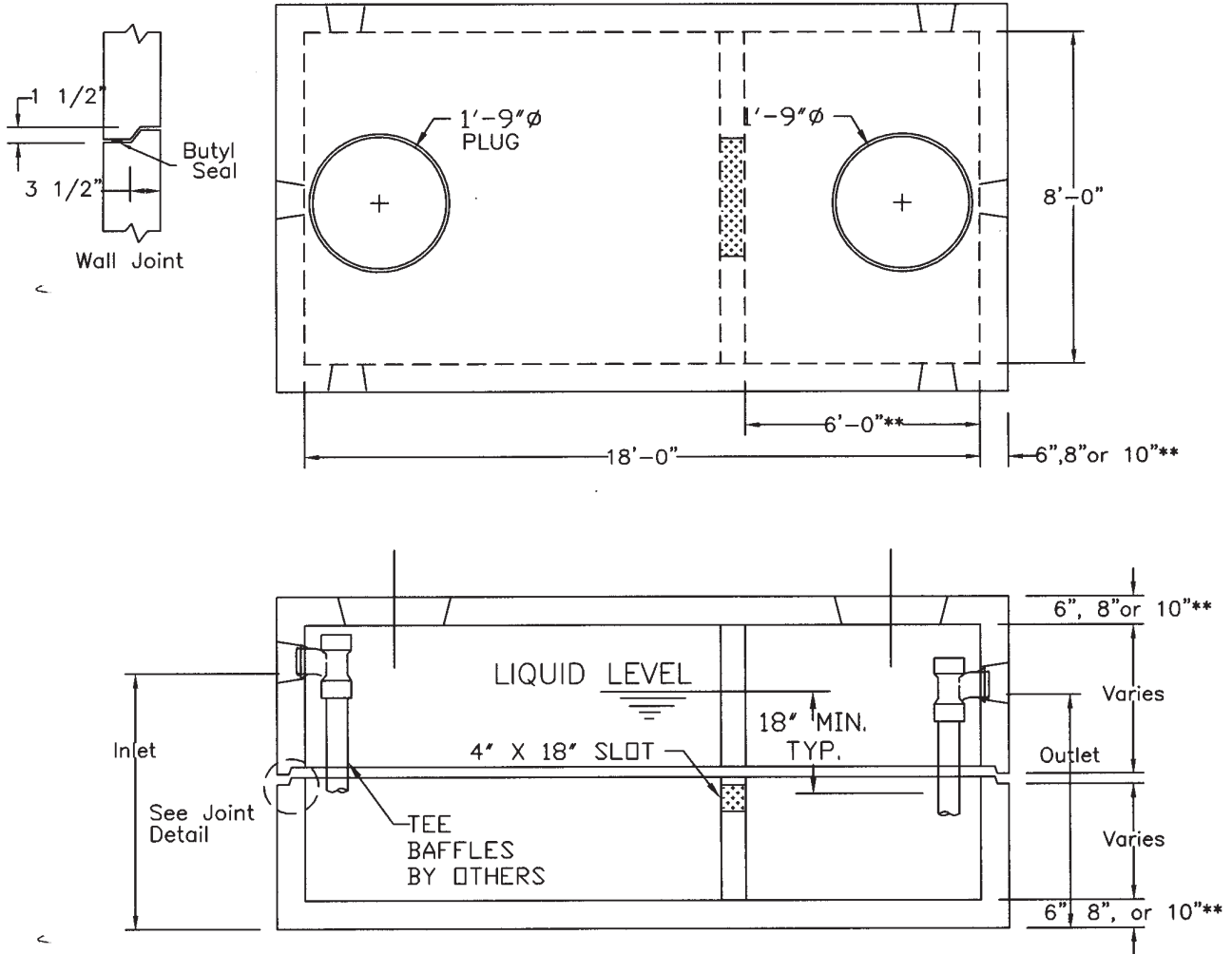
Phone: (607) 722-0334

Toll Free: 1-800-336-1474

Website: [www.binghamtonprecast.com](http://www.binghamtonprecast.com)

# E11 4000-8,000 Gallon Septic Tank Dual Compartment

Drawing Number 01408



Gallon	Riser Height	
4000	4'-6"	
5000	5'-6"	
6000	6'-6"	Does NOT meet DEC max. liquid depth
8000	8'-0"	Does NOT meet DEC max. liquid depth

- Access plug 21"Ø or as specified.
- Pipe connections, size and location as specified.
- Traffic bearing design available.

\*\* Varies per job requirements.

18 Phelps Street, Binghamton, NY 13901

Fax: (607) 722-0496

Email: sales@binghamtonprecast.com

Phone: (607) 722-0334

Toll Free: 1-800-336-1474

Website: www.binghamtonprecast.com

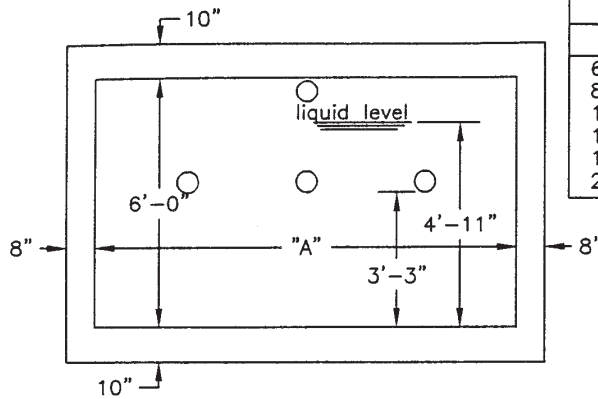
**Binghamton**



**Precast  
& Supply**

# 6000-20,000 Gallon Septic Tanks Dual Compartment E12

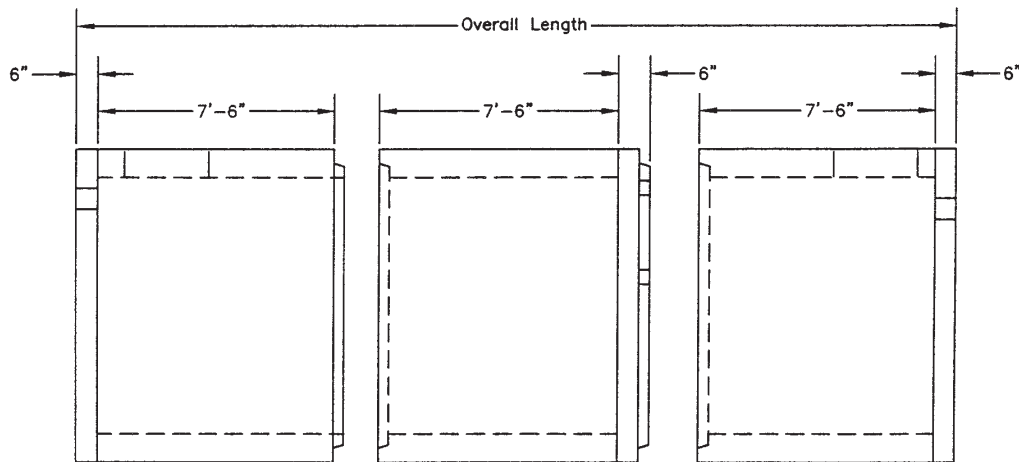
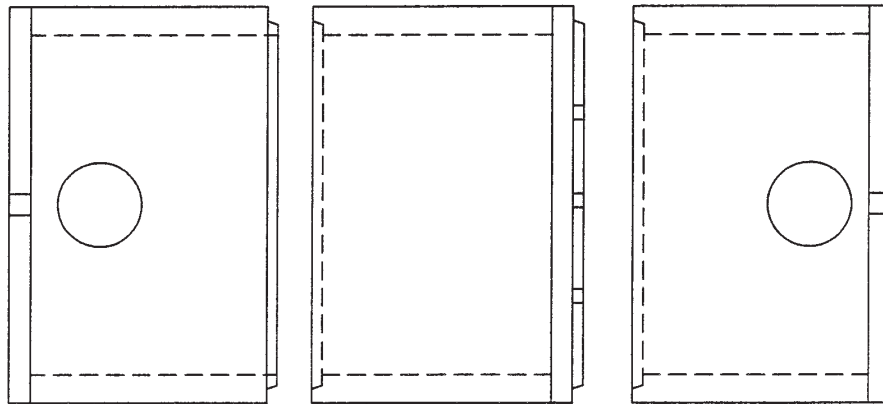
Drawing Number 01055



Tank Selection Chart					
Capacity	'A'	O.A. Length	Sections	S.A.*	Len:Wid
6000	8'	22'-6"	3	2.08	2:1
8000	10'	22'-6"	3	1.67	2:1
10000	12'	22'-6"	3	1.39	2:1
13000	12'	30'-0"	4	1.39	3:1
16500	12'	37'-6"	5	1.39	4:1
20000	12'	45'-0"	6	1.39	5:1

\*Surface area - sq.ft./100 gals.

• AASHTO HS20 or A.03 loading



**Binghamton**



**Precast  
& Supply**

18 Phelps Street, Binghamton, NY 13901

Fax: (607) 722-0496

Email: [sales@binghamtonprecast.com](mailto:sales@binghamtonprecast.com)

Phone: (607) 722-0334

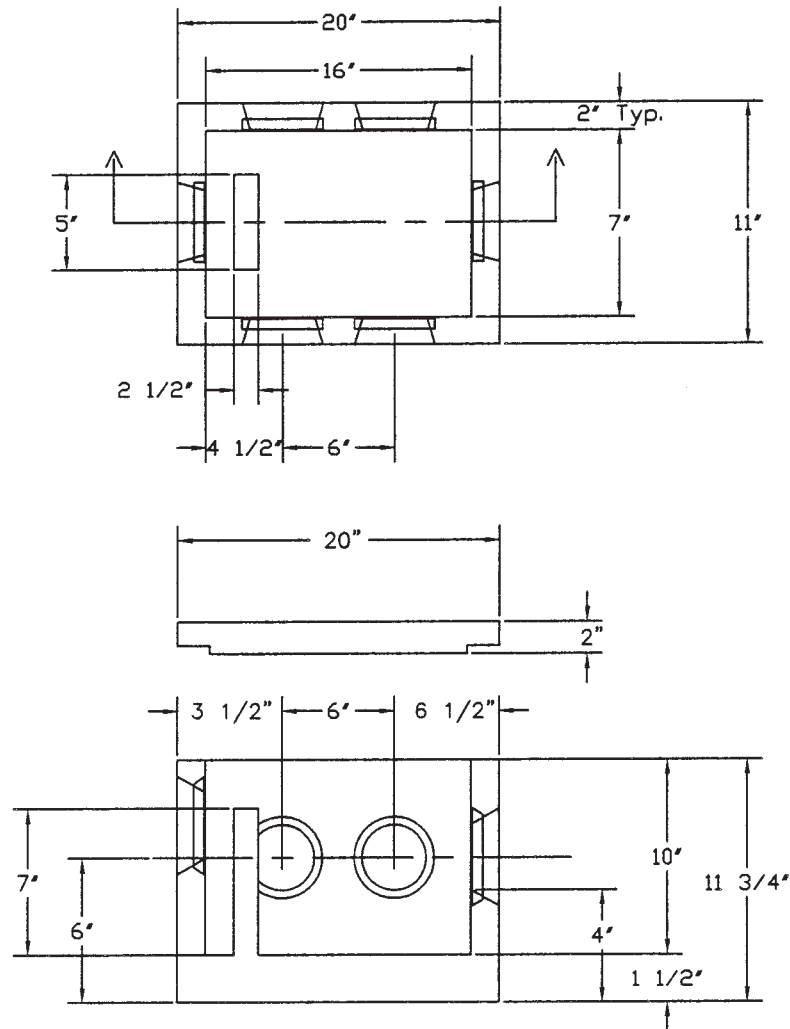
Toll Free: 1-800-336-1474

Website: [www.binghamtonprecast.com](http://www.binghamtonprecast.com)

# E13

# 5 Outlet Distribution Box

Drawing Number 02050



- Non-traffic bearing
- 1 inlet; 5 outlets
- Includes pipe seals
- Base wt. - 255 lbs.
- Cover wt. - 65 lbs.

18 Phelps Street, Binghamton, NY 13901

Fax: (607) 722-0496

Email: [sales@binghamtonprecast.com](mailto:sales@binghamtonprecast.com)

Phone: (607) 722-0334

Toll Free: 1-800-336-1474

Website: [www.binghamtonprecast.com](http://www.binghamtonprecast.com)

**Binghamton**

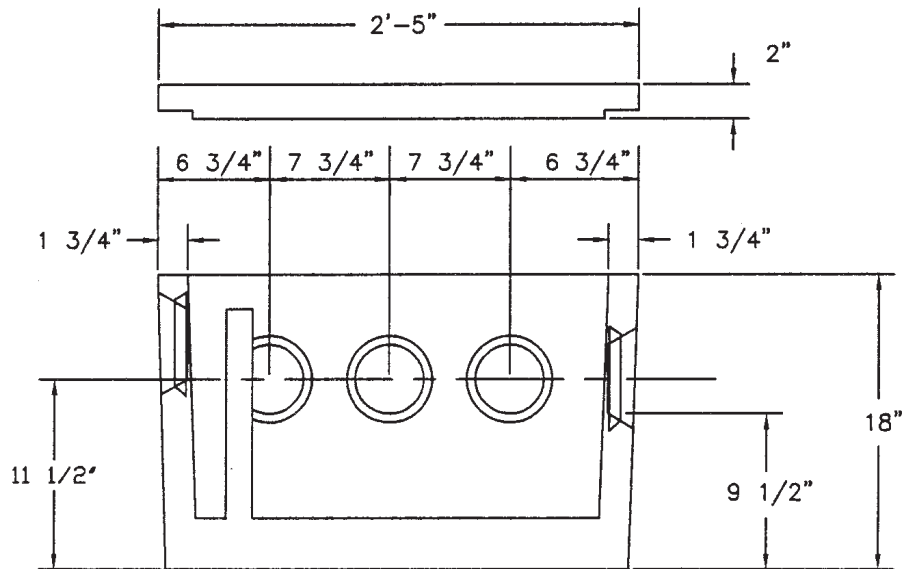
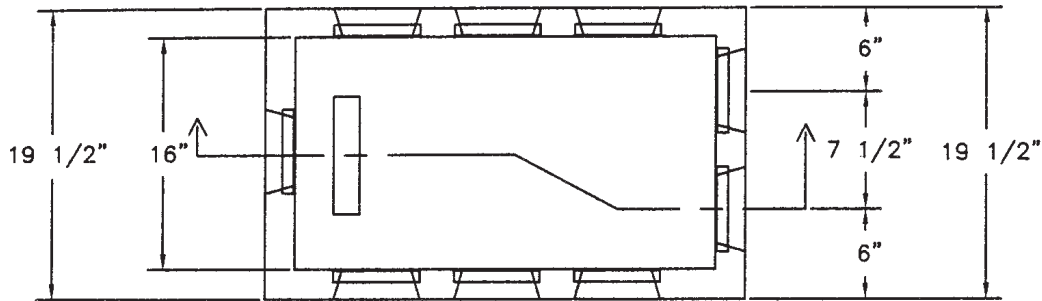


**Precast  
& Supply**

# 8 Outlet Distribution Box

# E14

Drawing Number 02080



- Non-traffic bearing
- 1 inlet; 8 outlets
- Includes pipe seals
- Base wt. - 380 lbs.
- Cover wt. - 130 lbs.

**Binghamton**



**Precast  
& Supply**

18 Phelps Street, Binghamton, NY 13901

Fax: (607) 722-0496

Email: [sales@binghamtonprecast.com](mailto:sales@binghamtonprecast.com)

Phone: (607) 722-0334

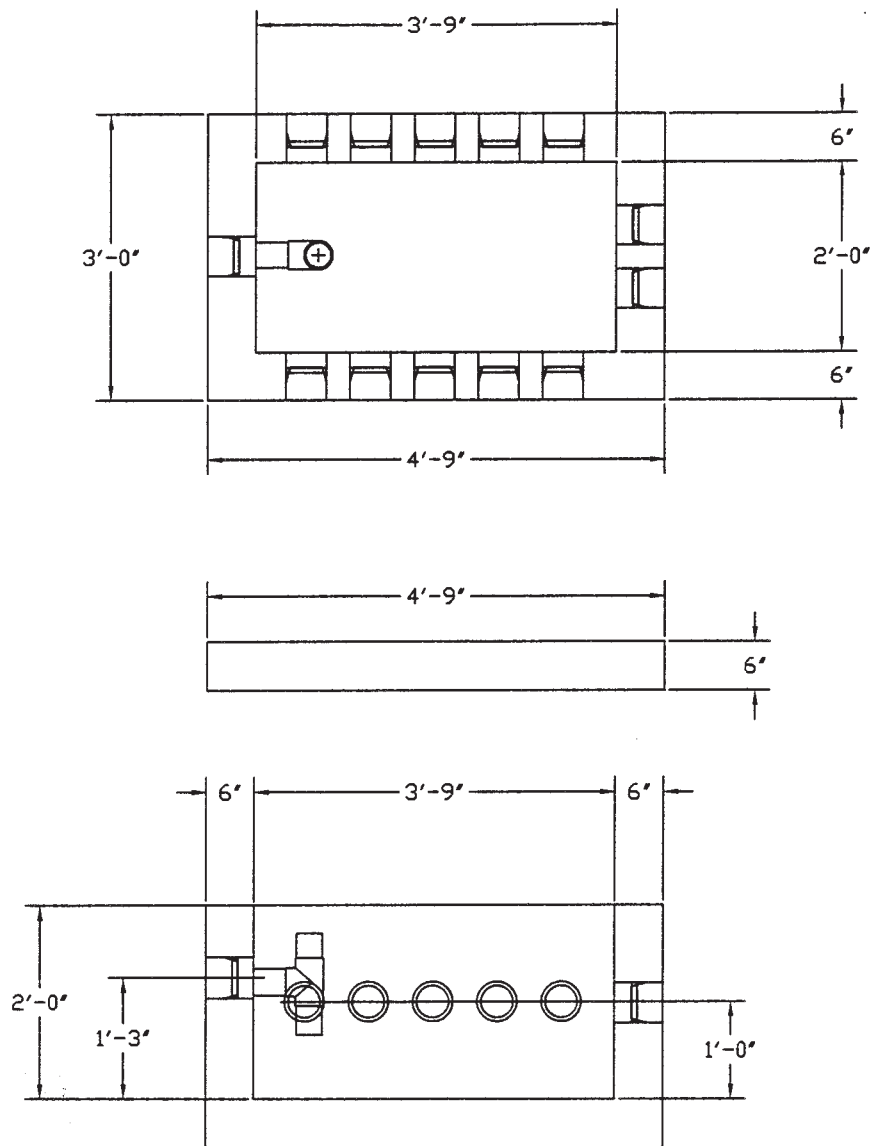
Toll Free: 1-800-336-1474

Website: [www.binghamtonprecast.com](http://www.binghamtonprecast.com)

# E15

# 12 Outlet Distribution Box

Drawing Number 02012



- Traffic bearing
- 1 inlet; 12 outlets
- Includes pipe seals

- Base/Cover slab wt.= 900 lbs.
- Riser sec. wt.= 900 lbs. per ft.

18 Phelps Street, Binghamton, NY 13901

Fax: (607) 722-0496

Email: [sales@binghamtonprecast.com](mailto:sales@binghamtonprecast.com)

Phone: (607) 722-0334

Toll Free: 1-800-336-1474

Website: [www.binghamtonprecast.com](http://www.binghamtonprecast.com)

**Binghamton**



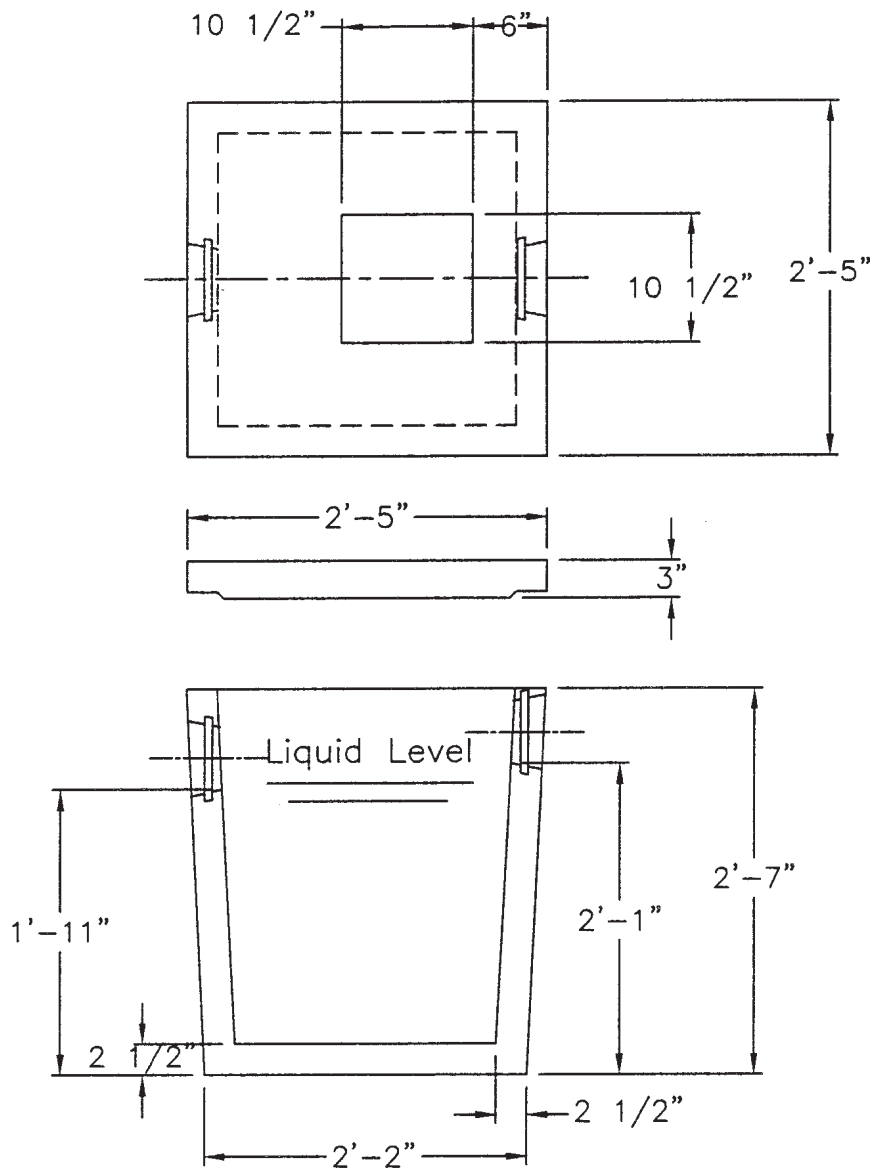
**Precast  
& Supply**



# 60 Gallon Chlorine Contact Tank

# E16

Drawing Number 02060



- Non-traffic bearing
- Base wt. = 775 lbs.
- Cover wt. = 170 lbs.

**Binghamton**



**Precast  
& Supply**

18 Phelps Street, Binghamton, NY 13901

Fax: (607) 722-0496

Email: [sales@binghamtonprecast.com](mailto:sales@binghamtonprecast.com)

Phone: (607) 722-0334

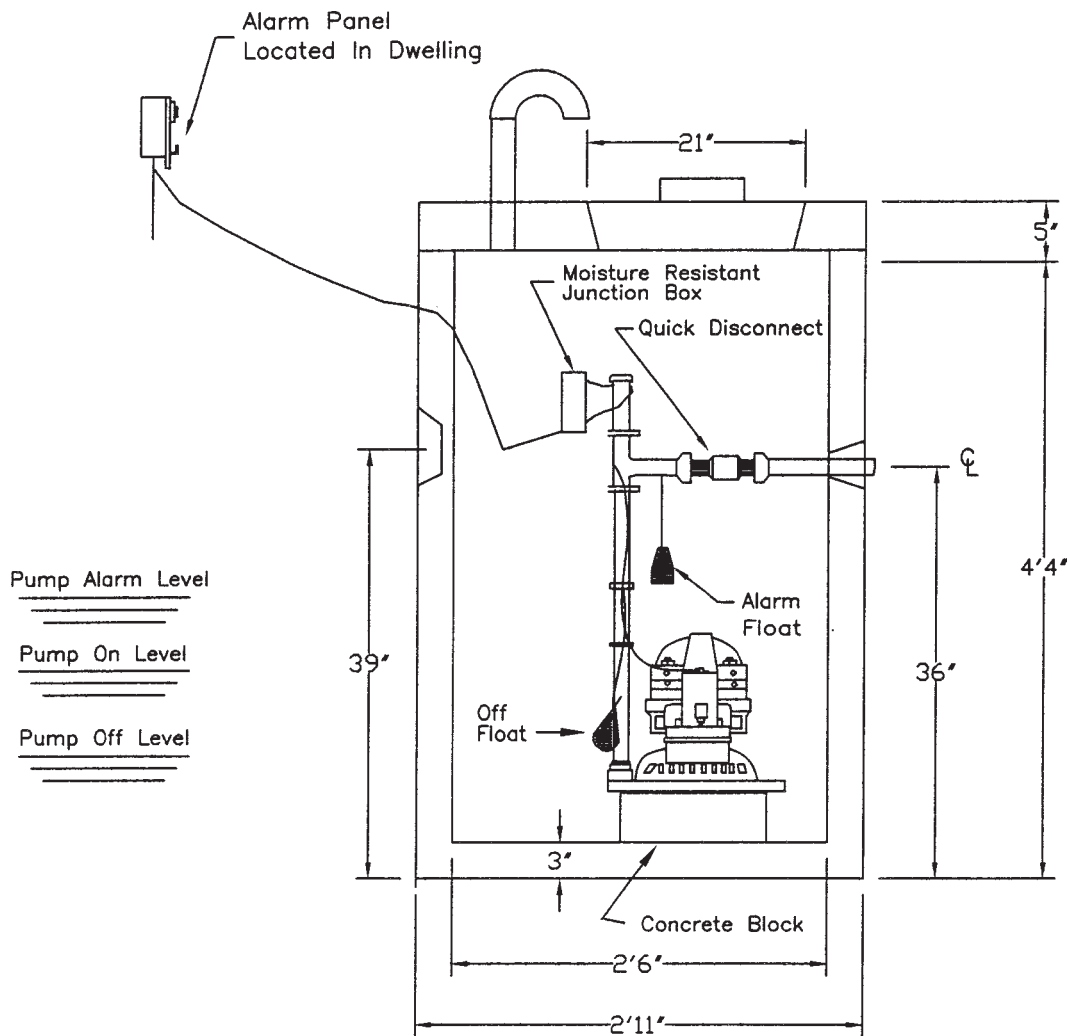
Toll Free: 1-800-336-1474

Website: [www.binghamtonprecast.com](http://www.binghamtonprecast.com)

# E17

# 75 Gallon Pump Station

Drawing Number 02075P



- Non-Traffic Bearing
- Pump Chamber Available Without Internal Components
- Base Sec. Wt - 1586 lbs.
- Cover Sec. Wt. - 334 lbs.

18 Phelps Street, Binghamton, NY 13901

Fax: (607) 722-0496

Email: [sales@binghamtonprecast.com](mailto:sales@binghamtonprecast.com)

Phone: (607) 722-0334

Toll Free: 1-800-336-1474

Website: [www.binghamtonprecast.com](http://www.binghamtonprecast.com)

**Binghamton**

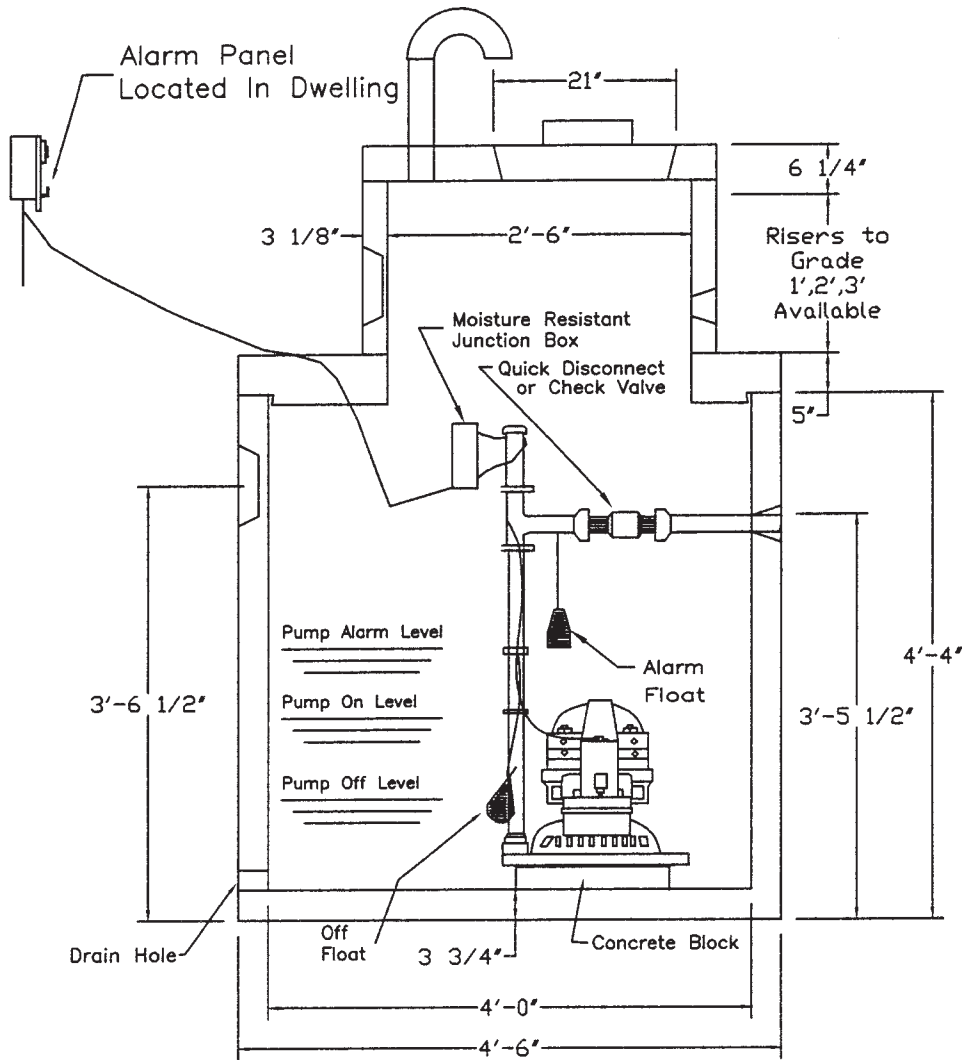


**Precast  
& Supply**

# 300 Gallon Pump Station

# E18

Drawing Number 02300P



- Non-Traffic Bearing
- Pump Chamber Available Without Internal Components
- Base Sec. Wt - 2168 lbs.
- Cover Sec. Wt. - 575 lbs.

**Binghamton**



**Precast  
& Supply**

18 Phelps Street, Binghamton, NY 13901

Fax: (607) 722-0496

Email: [sales@binghamtonprecast.com](mailto:sales@binghamtonprecast.com)

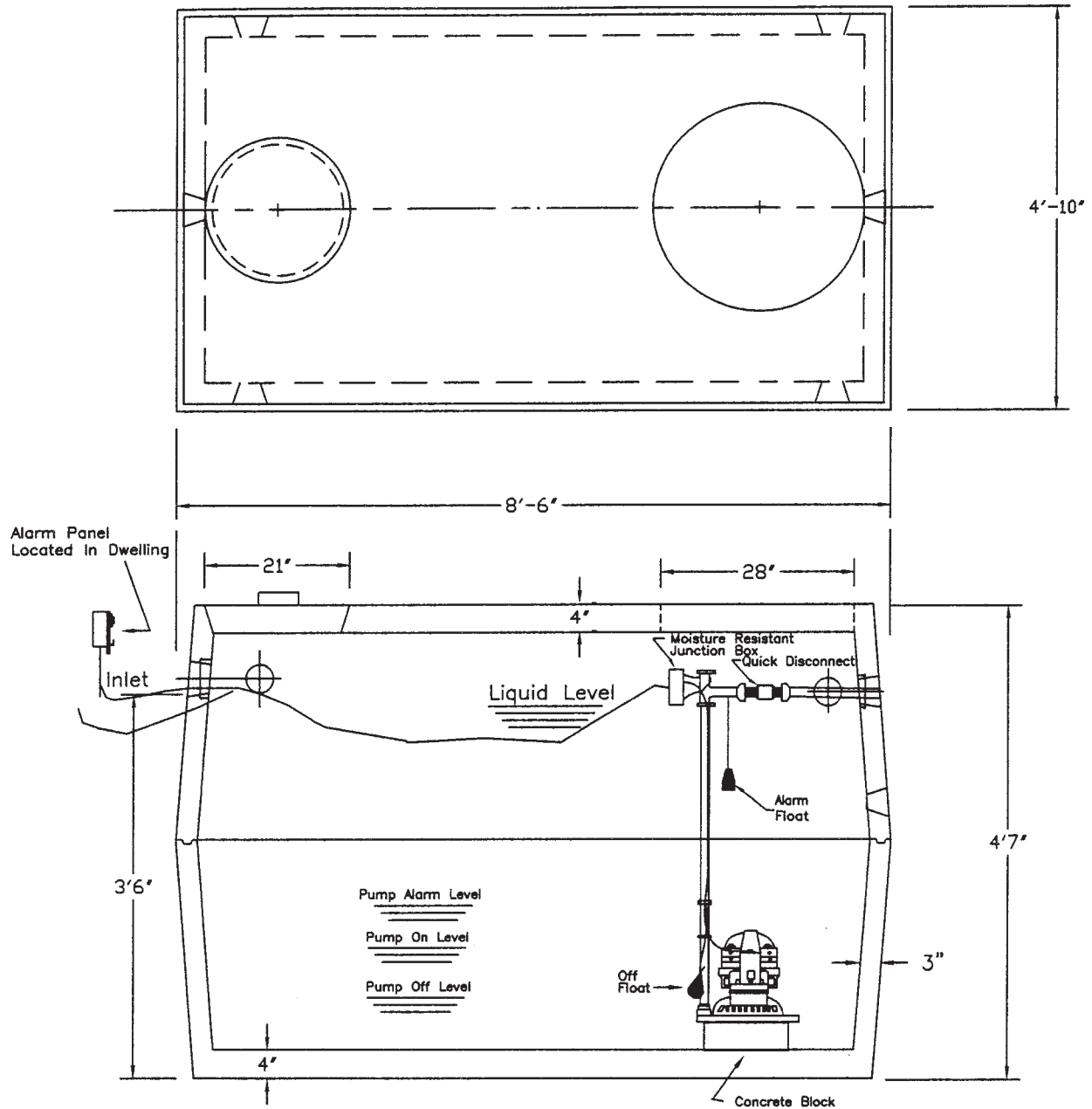
Phone: (607) 722-0334

Toll Free: 1-800-336-1474

Website: [www.binghamtonprecast.com](http://www.binghamtonprecast.com)

# E19 750 Gallon Pump Station Single Compartment

Drawing Number 750PS



- Non-traffic bearing shown
- Traffic bearing design available
- Base sec. wt. - 3950 lbs.
- Top sec. wt. - 4440 lbs.

18 Phelps Street, Binghamton, NY 13901

Fax: (607) 722-0496

Email: [sales@binghamtonprecast.com](mailto:sales@binghamtonprecast.com)

Phone: (607) 722-0334

Toll Free: 1-800-336-1474

Website: [www.binghamtonprecast.com](http://www.binghamtonprecast.com)

**Binghamton**

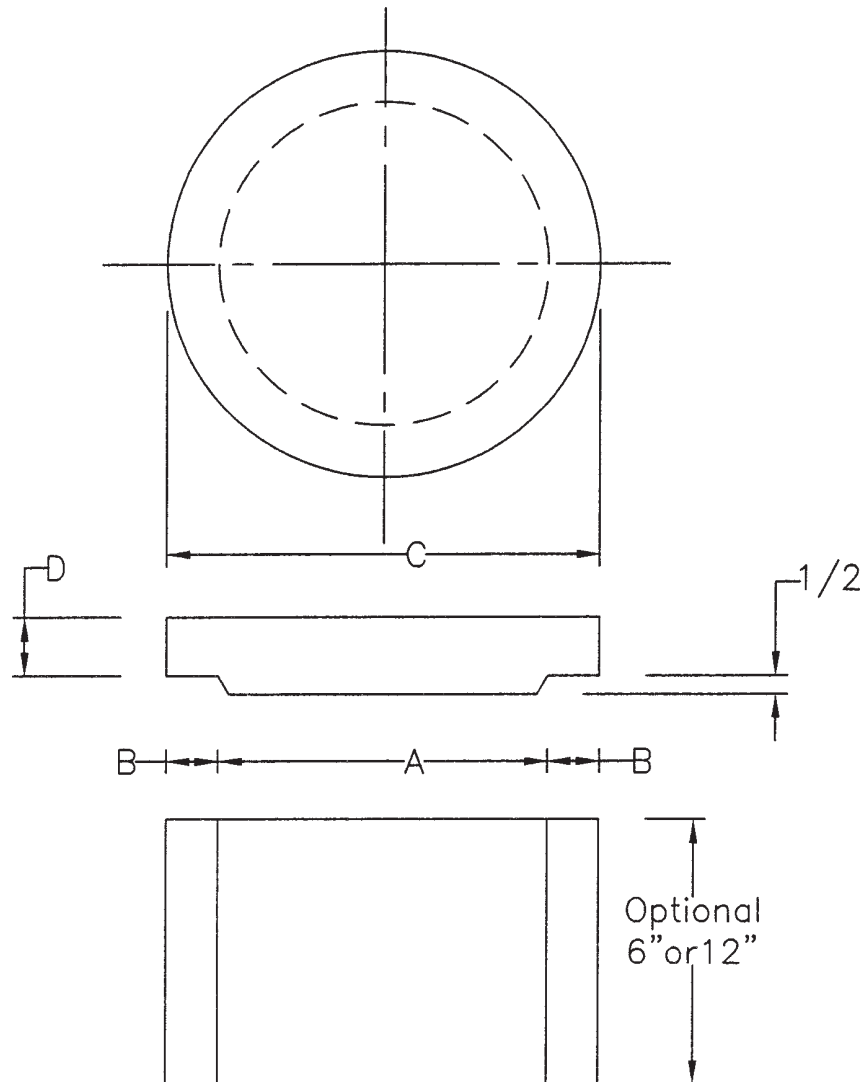


**Precast  
& Supply**

# Stand Pipes & Covers

E20

Drawing Number 02126



Dimensions				Weights (lbs.)		
A	B	C	D	6"	12"	cover
20"	2"	24"	2 1/2"	74	147	99
24"	3"	30"	3"	133	265	215
30"	3 1/2"	37"	3"	190	380	325

• Non – traffic bearing

**Binghamton**



**Precast  
& Supply**

18 Phelps Street, Binghamton, NY 13901

Fax: (607) 722-0496

Email: [sales@binghamtonprecast.com](mailto:sales@binghamtonprecast.com)

Phone: (607) 722-0334

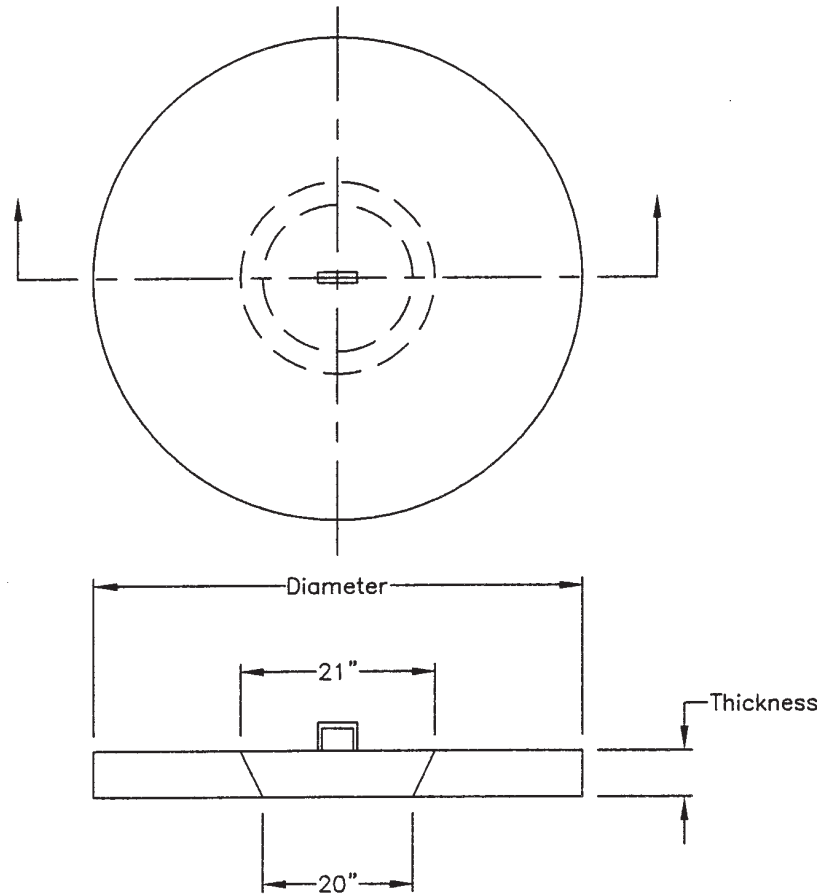
Toll Free: 1-800-336-1474

Website: [www.binghamtonprecast.com](http://www.binghamtonprecast.com)

# E21

# Drywell & Miscellaneous Cover Slabs

Drawing Number 02302



Diameter	Thickness	Weight
3'0"	3"	265 lbs.
4'0"	4"	640 lbs.
5'0"	5"	1,225 lbs.
6'0"	5"	1,765 lbs.
7'6"	6"	3,310 lbs.

- Non-traffic bearing shown.
- See Standard Drainage Products for Leach Pit Sections including HS-20 covers and base ring.
- Traffic bearing design available.

18 Phelps Street, Binghamton, NY 13901

Fax: (607) 722-0496

Email: [sales@binghamtonprecast.com](mailto:sales@binghamtonprecast.com)

Phone: (607) 722-0334

Toll Free: 1-800-336-1474

Website: [www.binghamtonprecast.com](http://www.binghamtonprecast.com)

**Binghamton**



**Precast  
& Supply**