

RECTANGULAR & SQUARE STRUCTURES

D

Index

Product	Drawing Number	Page
Standard 2' x 2'	08022	D1
Standard 2' x 3'	08023	D2
Standard 30" x 30"	08030	D3
Standard 30" x 48"	08078	D4
Standard 3' x 3'	08033	D5
Standard 4' x 4'	0804X4	D6
Standard 5' x 5'	08055	D7
Standard 6' x 6'	1066	D8
Standard 6' x 8'	1068	D9
Standard 6' x 12'	08612	D10
Standard 8' x 8'	2088	D11
Standard 8' x 18'	08818	D12

Rectangular structures by Binghamton Precast & Supply are particularly suitable for:

- Catch Basins*
- Drop Inlets*
- Meter Pits
- Valve Vaults
- Holding Tanks
- Chlorinators
- Grease Interceptors
- Pull Boxes**
- Pump Pits
- Connector Manholes
- Many other uses

* Consider round units with rectangular openings in flat slabs when ingress and egress pipes are at odd angles.

** See Standard Telephone Products for standard pull boxes.

Notes to Specifiers:

Standard units are designed to meet the minimum structural loading of ACI-318, HS20-44 load designs are available and should be specified in areas subject to vehicular traffic.

Although we are capable of producing any size structure, consider specifying the standard products in this catalog to reduce lead time and minimize costs.

Consider the following ancillary products when specifying square or rectangular precast concrete structures:

- MA Steps
- Butyl Joints
- Bituminous Coating
- Alternate Flat Slab Covers
- Cast Iron or Steel Covers or Grates
- Steel or Aluminum Hatch Doors
- A Lok or Z Lok Gaskets
- Sumps, Knockouts, Duct Terminators, etc.

Binghamton



**Precast
& Supply**

18 Phelps Street, Binghamton, NY 13901

Fax: (607) 722-0496

Email: sales@binghamtonprecast.com

Phone: (607) 722-0334

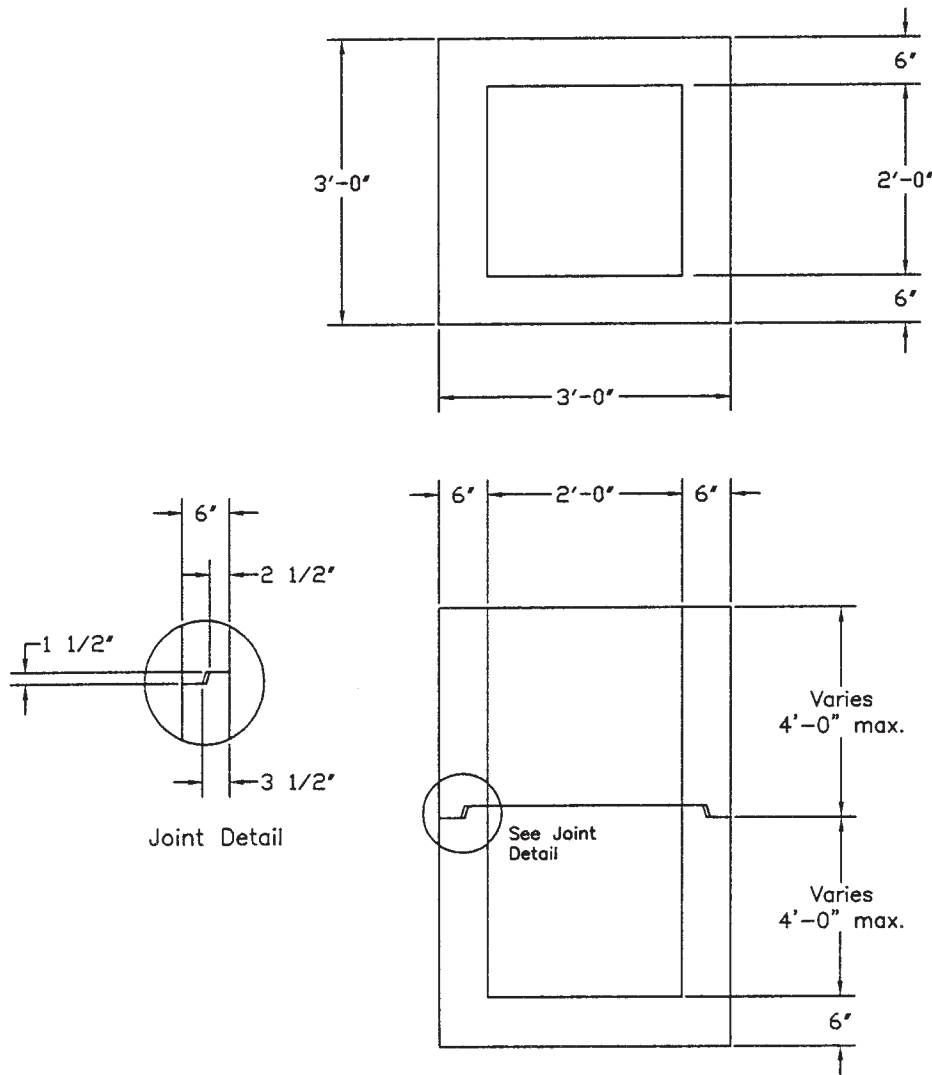
Toll Free: 1-800-336-1474

Website: www.binghamtonprecast.com

D1

Standard 2 x 2

Drawing Number 08022



- Pipe connections size and location as specified.
- Meets or exceeds AASHTO HS-20
- Cover slabs available

- Base slab wt.= 675 lbs.
- Riser sec. wt.= 750 lbs. per ft.

18 Phelps Street, Binghamton, NY 13901

Fax: (607) 722-0496

Email: sales@binghamtonprecast.com

Phone: (607) 722-0334

Toll Free: 1-800-336-1474

Website: www.binghamtonprecast.com

Binghamton

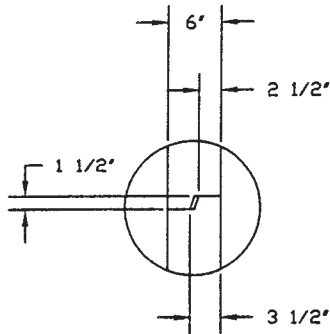


**Precast
& Supply**

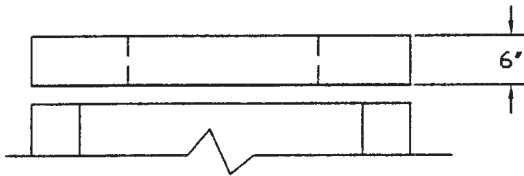
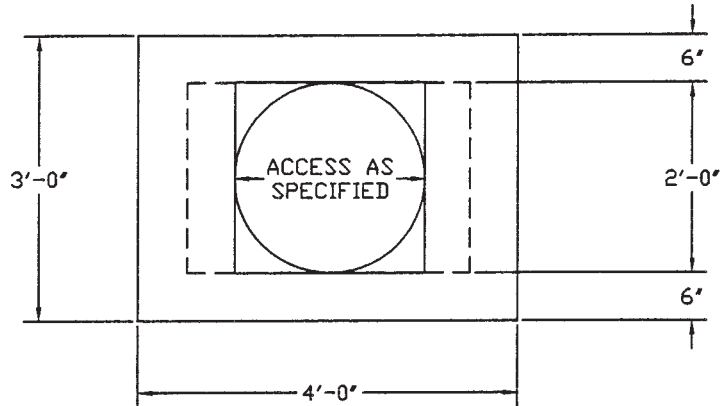
Standard 2 x 3

D2

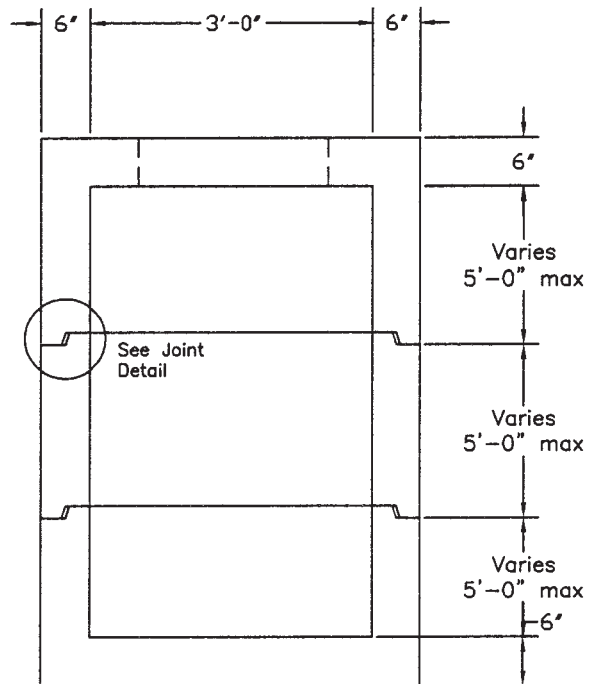
Drawing Number 08023



Typ Joint Detail



Separate Flat Slab Cover Option



- Pipe connections size and location as specified.
- Meets or exceeds AASHTO HS-20
- Cover slabs available

- Base/Cover slab wt.= 900 lbs.
- Riser sec. wt.= 900 lbs. per ft.

Binghamton



Precast & Supply

18 Phelps Street, Binghamton, NY 13901

Fax: (607) 722-0496

Email: sales@binghamtonprecast.com

Phone: (607) 722-0334

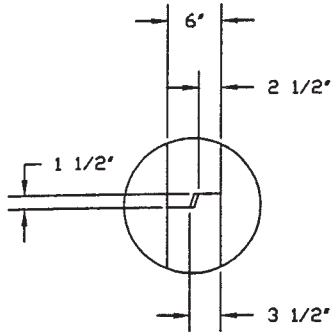
Toll Free: 1-800-336-1474

Website: www.binghamtonprecast.com

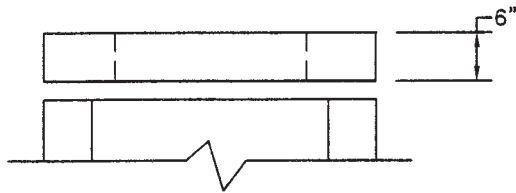
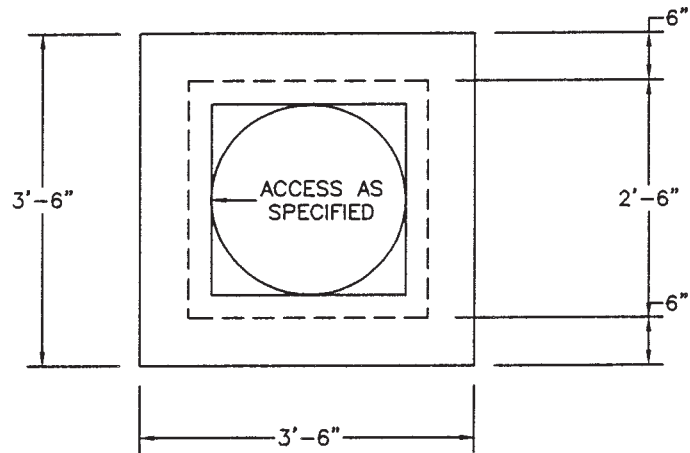
D3

Standard 30" x 30"

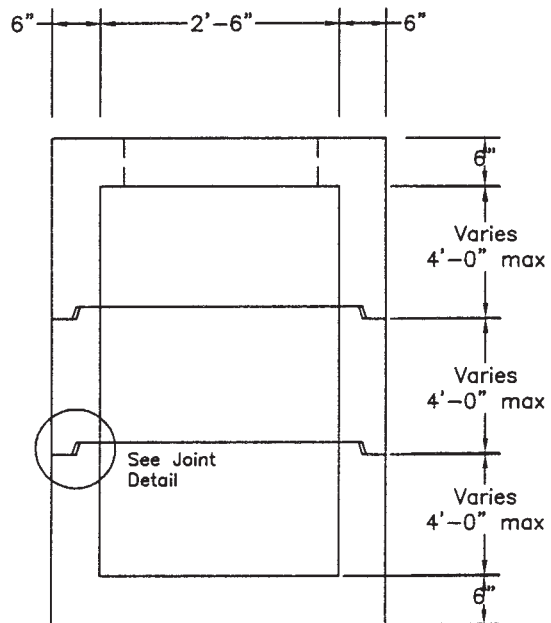
Drawing Number 08030



Typ Joint Detail



Separate Flat Slab Cover Option



- Pipe connections size and location as specified.
- Meets or exceeds AASHTO HS-20
- Cover slabs available

- Base/Cover slab wt. = 919 lbs.
- Riser sec. wt. = 900 lbs. per ft.

18 Phelps Street, Binghamton, NY 13901

Fax: (607) 722-0496

Email: sales@binghamtonprecast.com

Phone: (607) 722-0334

Toll Free: 1-800-336-1474

Website: www.binghamtonprecast.com

Binghamton

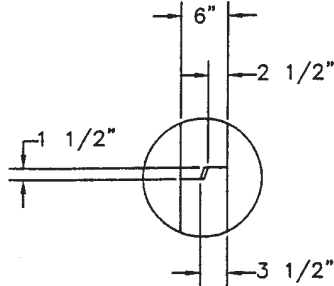


**Precast
& Supply**

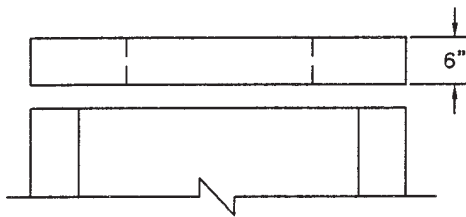
Standard 30" x 48"

D4

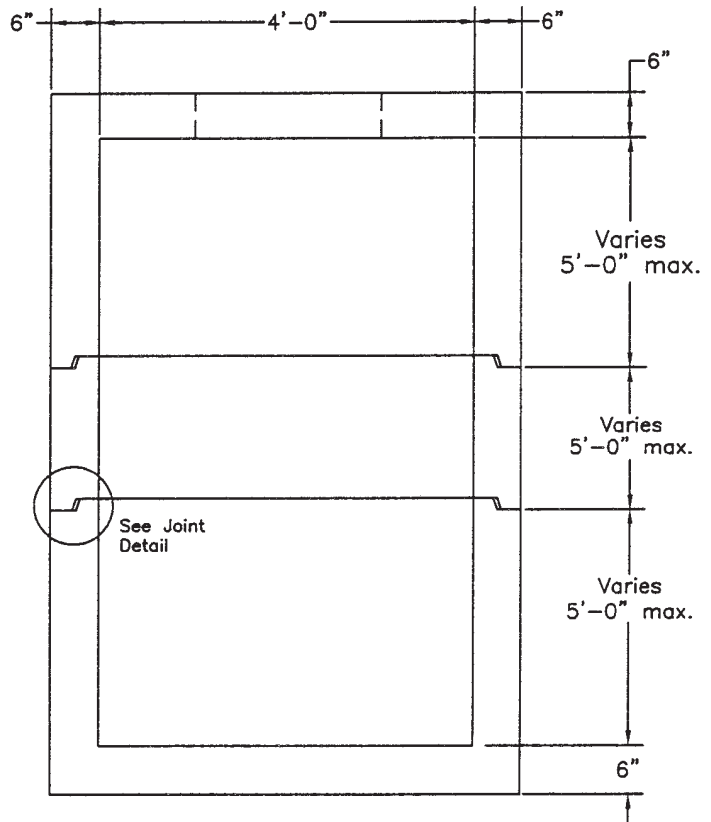
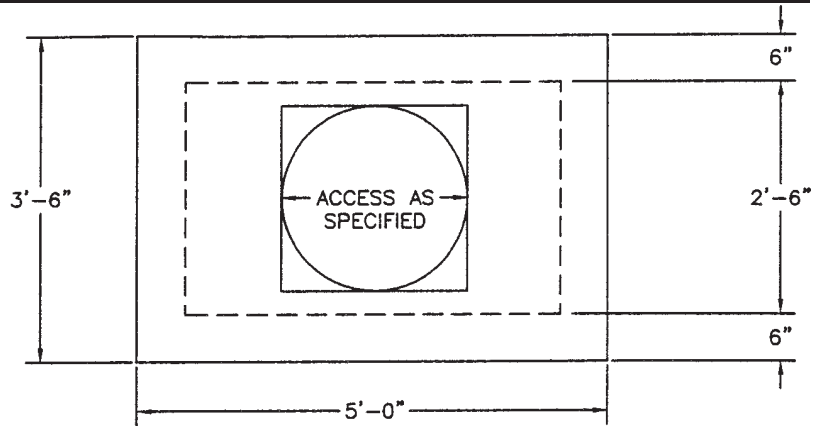
Drawing Number 08078



Typ Joint Detail



Separate Flat Slab Cover Option



- Pipe connections size and location as specified.
- Meets or exceeds AASHTO HS-20
- Cover slabs available

- Base slab wt.= 1300 lbs.
- Riser sec. wt.= 1125 lbs. per ft.

Binghamton



Precast & Supply

18 Phelps Street, Binghamton, NY 13901

Fax: (607) 722-0496

Email: sales@binghamtonprecast.com

Phone: (607) 722-0334

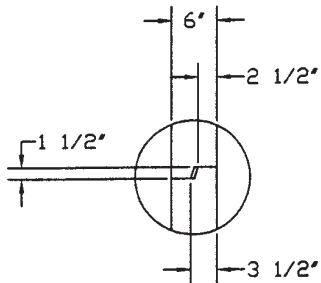
Toll Free: 1-800-336-1474

Website: www.binghamtonprecast.com

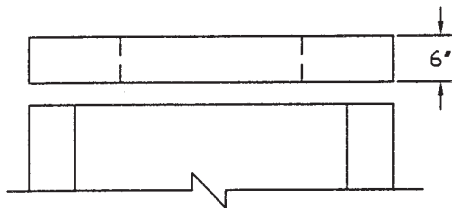
D5

Standard 3 x 3

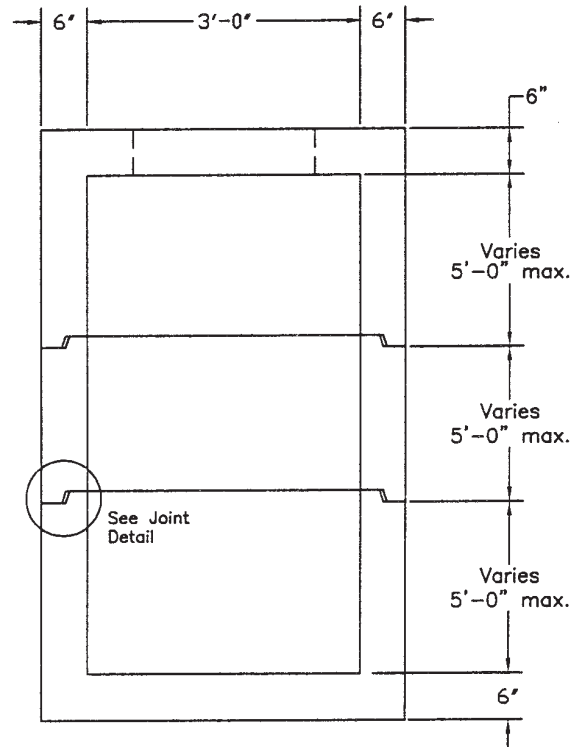
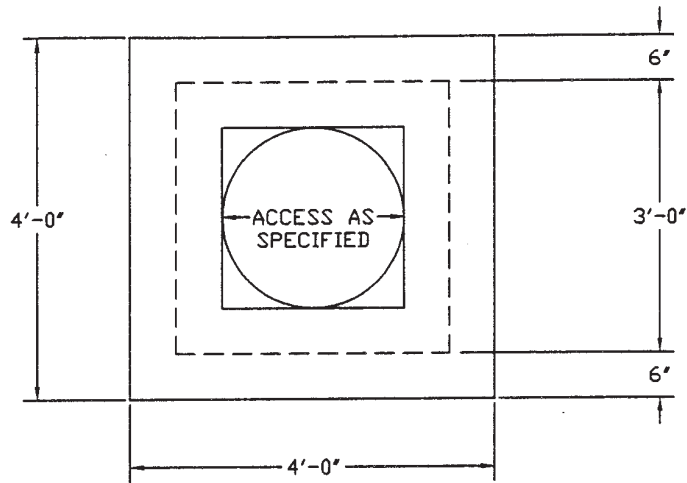
Drawing Number 08033



Typ Joint Detail



Separate Flat Slab Cover Option



- Pipe connections size and location as specified.
- Meets or exceeds AASHTO HS-20
- Cover slabs available

- Base slab wt.= 1200 lbs.
- Riser sec. wt.= 1050 lbs. per ft.

18 Phelps Street, Binghamton, NY 13901

Fax: (607) 722-0496

Email: sales@binghamtonprecast.com

Phone: (607) 722-0334

Toll Free: 1-800-336-1474

Website: www.binghamtonprecast.com

Binghamton

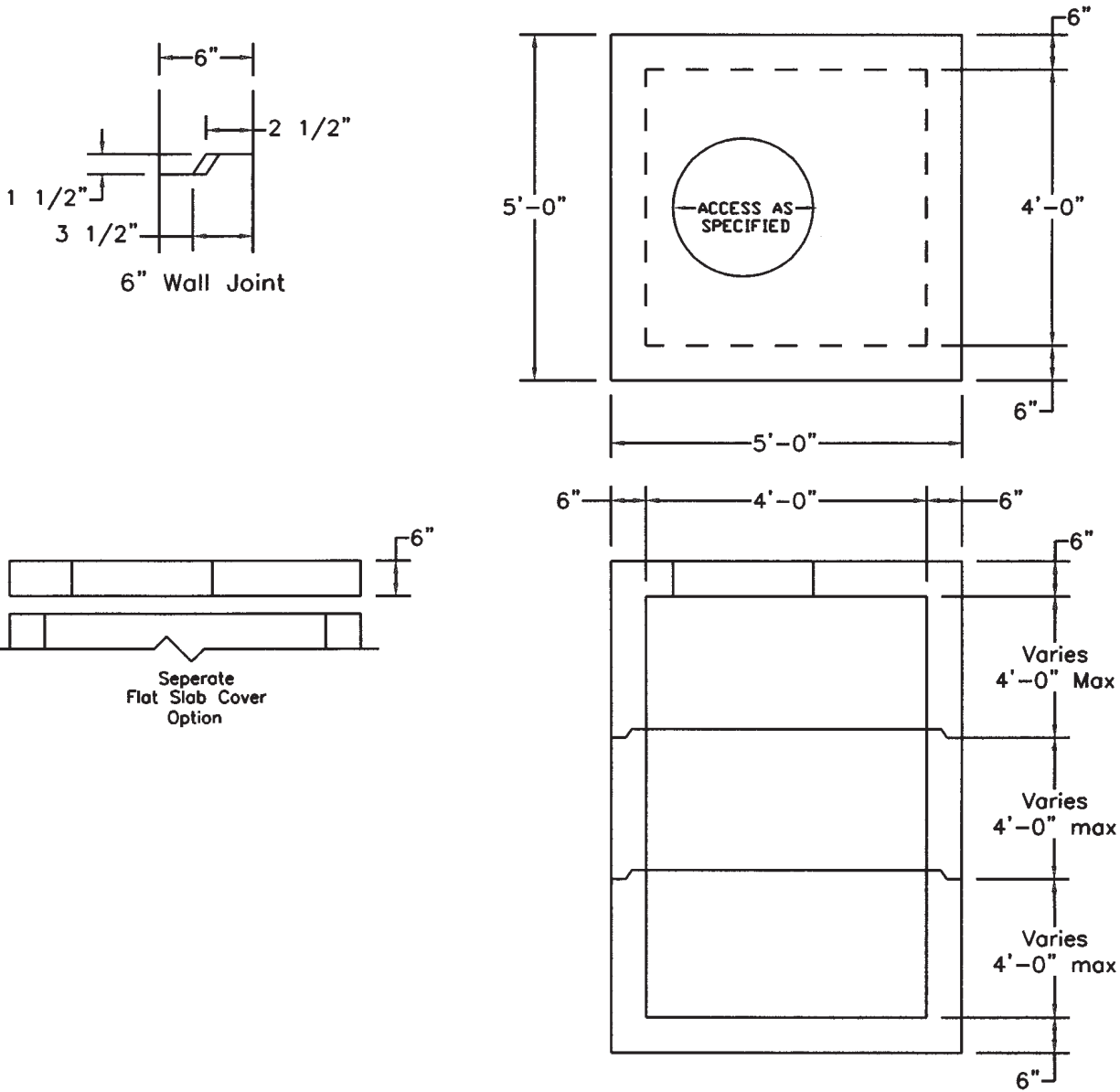


Precast & Supply

Standard 4 x 4

D6

Drawing Number 084x4



- Cover slab optional
- Meets or exceeds AASHTO HS-20
- Pipe connections, size, and location as specified
- Base slab wt. - 1875 lbs
- Cover slab wt. - 2025 lbs
- Riser sec. wt. - 1350 lbs/per ft.

Binghamton



**Precast
& Supply**

18 Phelps Street, Binghamton, NY 13901

Fax: (607) 722-0496

Email: sales@binghamtonprecast.com

Phone: (607) 722-0334

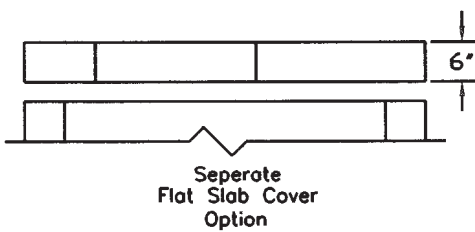
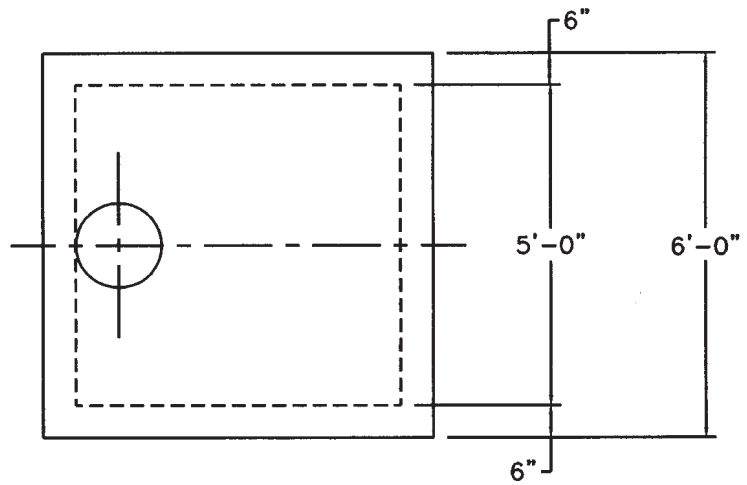
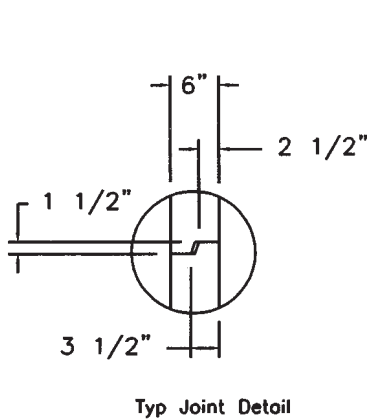
Toll Free: 1-800-336-1474

Website: www.binghamtonprecast.com

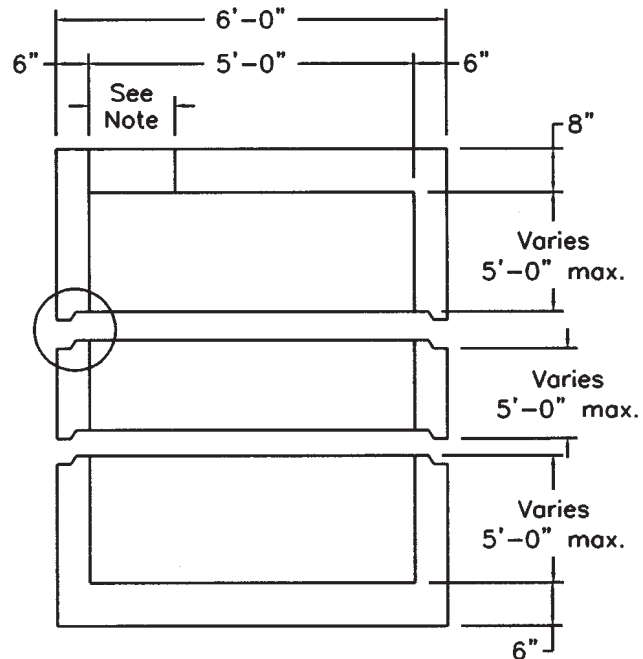
D7

Standard 5 x 5

Drawing Number 08055



See Joint Detail



- Access opening 24'Ø typical or as specified.
- Pipe connections size & location as specified.
- Meets or exceeds AASHTO HS-20
- Base slab wt. - 3618 lbs.
- Riser sec. wt. - 1650 lbs./ft.
- Top slab wt. - 3303 lbs.

18 Phelps Street, Binghamton, NY 13901

Fax: (607) 722-0496

Email: sales@binghamtonprecast.com

Phone: (607) 722-0334

Toll Free: 1-800-336-1474

Website: www.binghamtonprecast.com

Binghamton

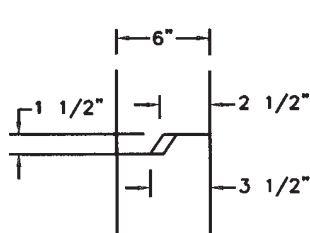


**Precast
& Supply**

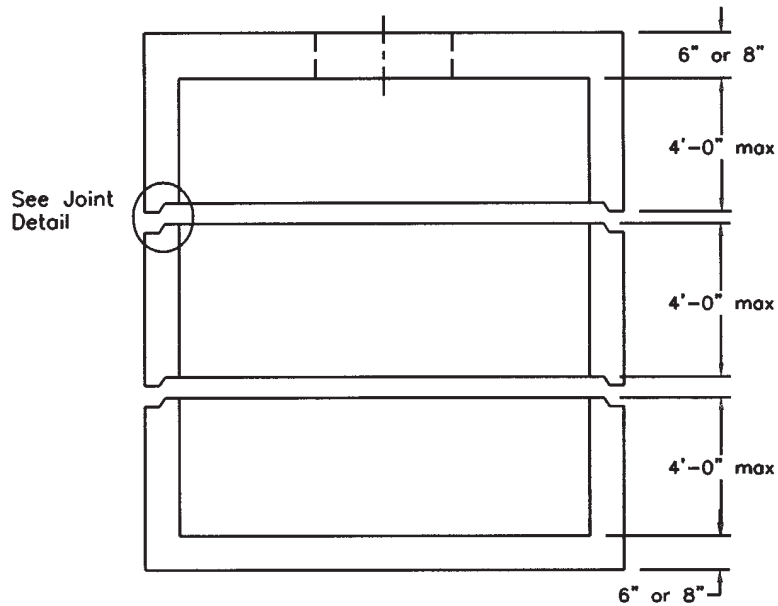
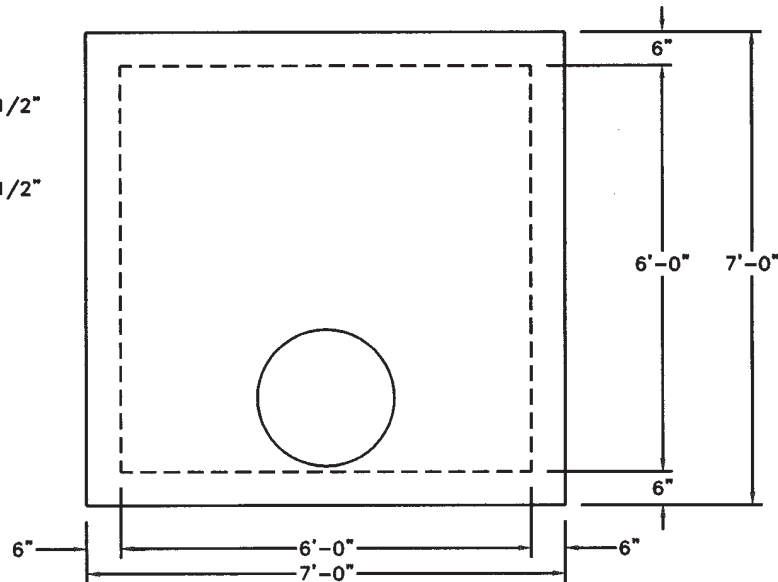
Standard 6 x 6

D8

Drawing Number 1066



6" Wall Joint



- Base sec. wt. - 11,475 lbs.
- Top sec. wt. - 12,409 lbs.
- Access- 24" Dia. or as specified
- Meets or exceeds AASHTO HS-20
- Riser Section Weight - 11,475 lb./ft.
- Pipe connection, size and location as specified.

Binghamton



**Precast
& Supply**

18 Phelps Street, Binghamton, NY 13901

Fax: (607) 722-0496

Email: sales@binghamtonprecast.com

Phone: (607) 722-0334

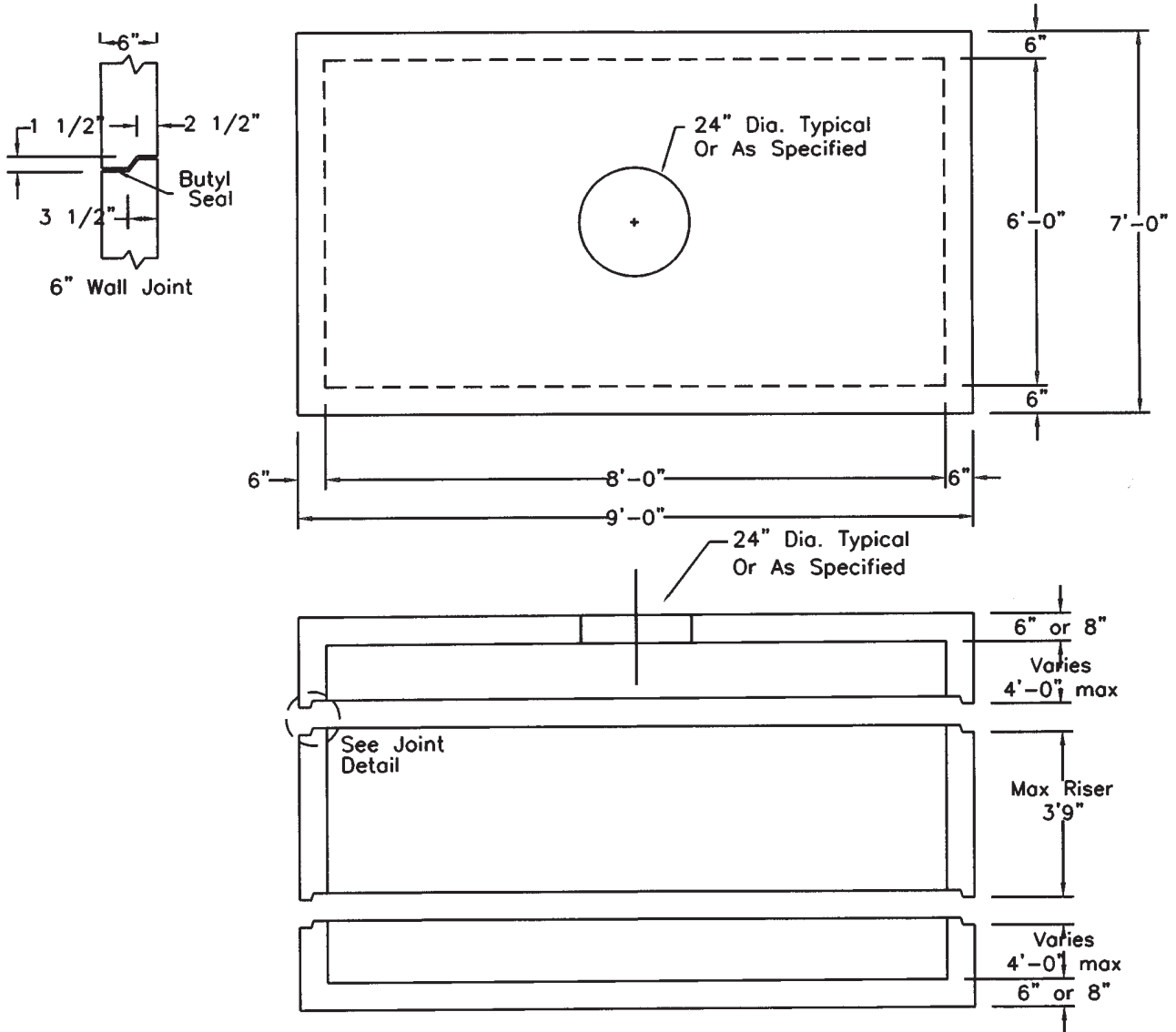
Toll Free: 1-800-336-1474

Website: www.binghamtonprecast.com

D9

Standard 6' x 8'

Drawing Number 1068



- Access 24"Ø or as specified
- Pipe connections, size and location as specified
- Meets or exceeds AASHTO HS20
- Base sec. wt. 6" = 4725 lbs.
8" = 6300 lbs.
- Top sec. wt. 6" = 4490 lbs.
8" = 5984 lbs.
- Riser weight - 1050 lbs./ft.

18 Phelps Street, Binghamton, NY 13901

Fax: (607) 722-0496

Email: sales@binghamtonprecast.com

Phone: (607) 722-0334

Toll Free: 1-800-336-1474

Website: www.binghamtonprecast.com

Binghamton

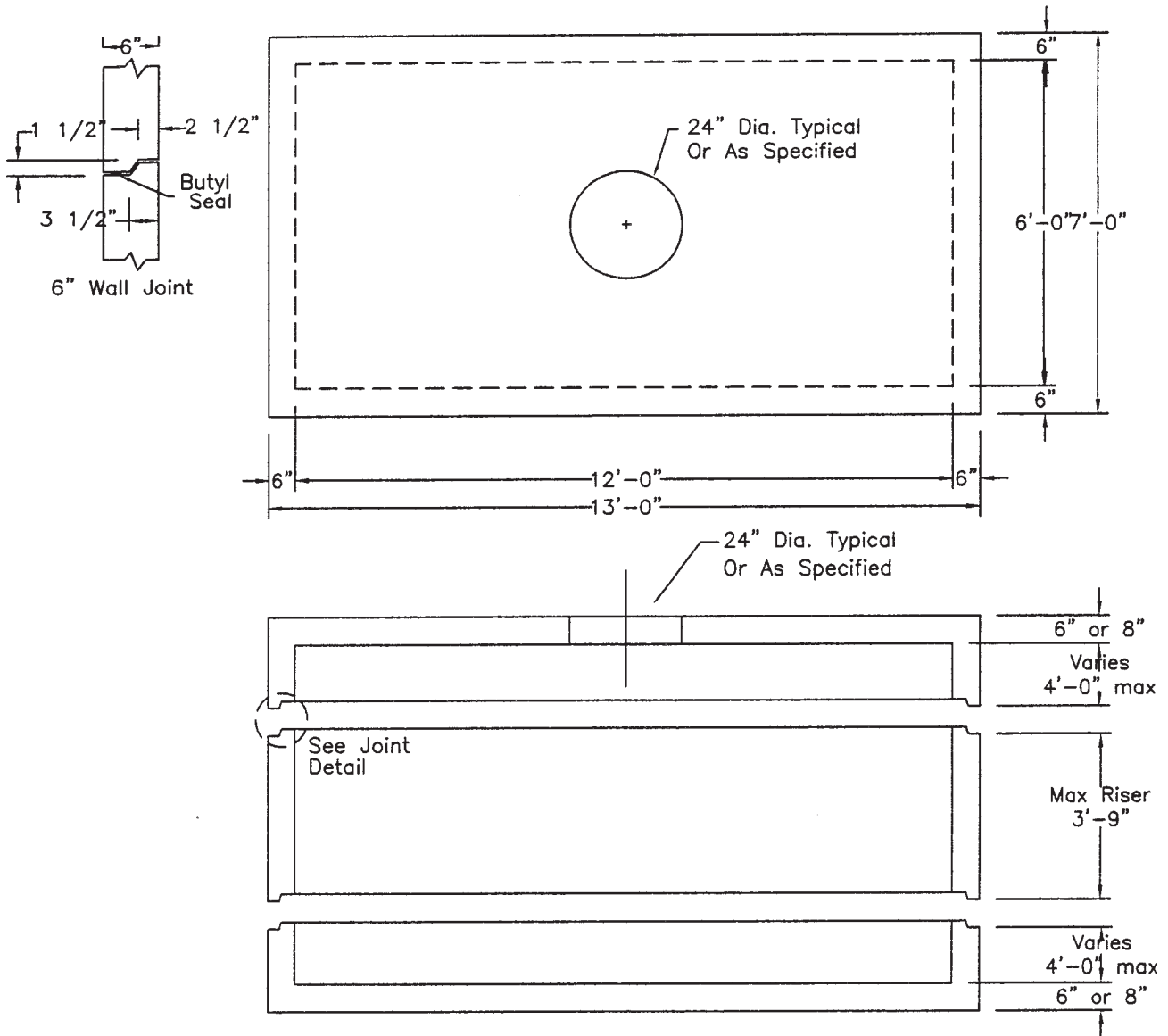


**Precast
& Supply**

Standard 6 x 12

D10

Drawing Number 08612



- Access 24"Ø or as specified
- Pipe connections, size and location as specified
- Meets or exceeds AASHTO HS20
- Base sec. wt. 6" = 6825 lbs.
8" = 9145 lbs.
- Top sec. wt. 6" = 6590 lbs.
8" = 8779 lbs.
- Riser weight - 2850 lbs.

Binghamton



**Precast
& Supply**

18 Phelps Street, Binghamton, NY 13901

Fax: (607) 722-0496

Email: sales@binghamtonprecast.com

Phone: (607) 722-0334

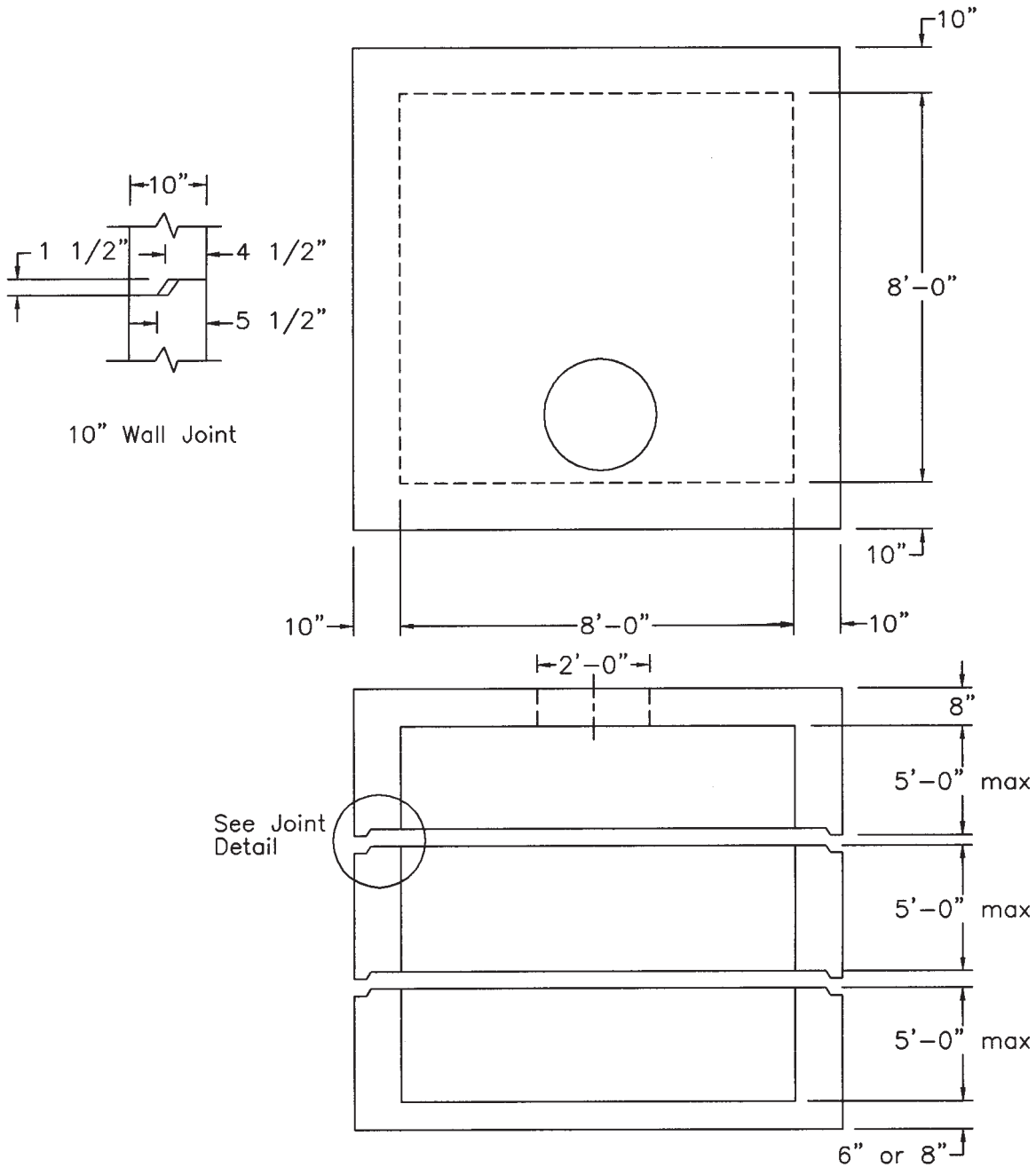
Toll Free: 1-800-336-1474

Website: www.binghamtonprecast.com

D11

Standard 8 x 8

Drawing Number 2088



- Access— 24" Dia. or as specified
- Meets or exceeds AASHTO HS-20

- Base sec. wt. — 4800 lbs.
- Top slab wt.. — 6084 lbs.
- Riser Slab wt. — 2250 lbs.

18 Phelps Street, Binghamton, NY 13901

Fax: (607) 722-0496

Email: sales@binghamtonprecast.com

Phone: (607) 722-0334

Toll Free: 1-800-336-1474

Website: www.binghamtonprecast.com

Binghamton

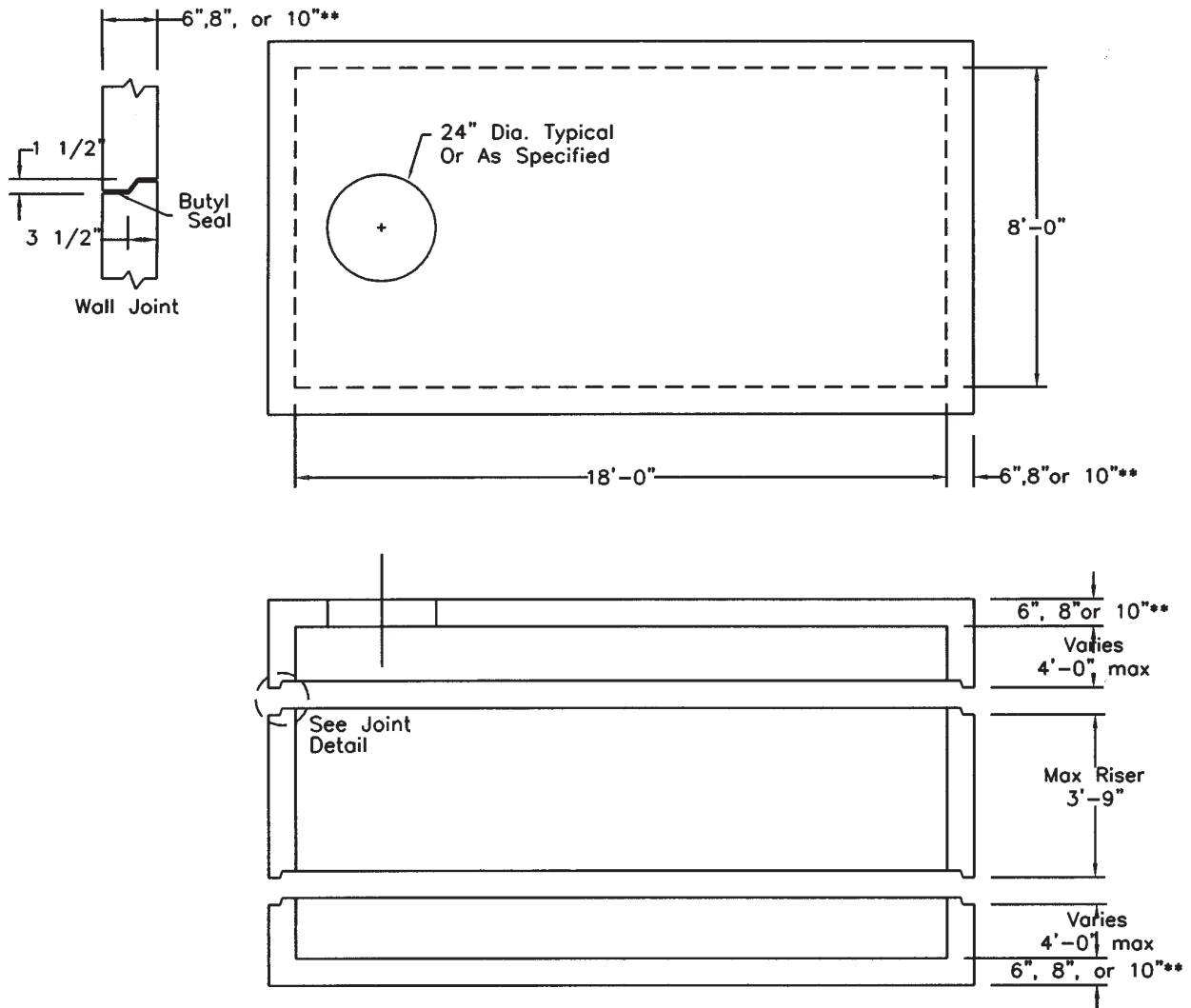


**Precast
& Supply**

Standard 8 x 18

D12

Drawing Number 08818



- Access 24"Ø or as
- Pipe connections, size and location as specified
- Meets or exceeds AASHTO HS20

- Top/Base Section Weight
 - 6" - 12,825 lbs.
 - 8" - 18,125 lbs.
 - 10" - 23,681 lbs.
- Riser Section Weight
 - 6" - 4,050 lbs./ft.
 - 8" - 5,452 lbs./ft.
 - 10" - 6,931 lbs./ft.

** Varies per job requirements

Binghamton



**Precast
& Supply**

18 Phelps Street, Binghamton, NY 13901

Fax: (607) 722-0496

Email: sales@binghamtonprecast.com

Phone: (607) 722-0334

Toll Free: 1-800-336-1474

Website: www.binghamtonprecast.com