

DRAINAGE PRODUCTS

C

Index

Product	Drawing Number	Page
D-W Endwall	11-DW1	C1
Headwall For Lateral Outlet Pipes	REWALL	C2
Non-Traffic Bearing Catch Basin	08YARD	C3
2 x 2 Catch Basin	082X2	C4
2 x 3 Catch Basin	082X3	C5
30" x 30" Catch Basin	083030	C6
30" x 48" Catch Basin	083048	C7
24" x 45" Catch Basin	08239	C8
24" x 45-1/4" PA-DOT Standard Inlet	08239PA	C9
PA-DOT Type "S" Inlet Top Unit	08239S	C10
PA-DOT Type "C" Inlet Top Unit	08239C	C11
PA-DOT Type "M" Inlet Top Unit	08239M	C12
NYSDOT Types 'A' - 'P' Standard Drainage Units	09NY1	C13
NYSDOT Types 'A' - 'P' Standard Cover Slabs	09NY2	C14
NYSDOT Types 'Q' - 'U' Standard Drainage Units	09NY3	C15
NYSDOT Types 'Q' - 'U' Standard Inlet Caps	09NY4	C16
Leaching Pit with HS20 Base and Top	02DRYWEL	C17
48" Diameter Leaching Basin	054801	C18
Splash Block	SPLASH	C19
Trench	TRENCH	C20

Drainage Products Include:

- Head Walls
- Leach Pits
- NYSDOT Drainage Inlets
- PA DOT Inlets & Tops
- Stock Catch Basins with knockouts
- Splash Blocks

Notes to Specifiers:

Our standard drainage products are designed to meet the same loading conditions as our round and rectangular structures. These products are manufactured with dedicated steel molds and are most often in stock. Standard products should be considered whenever:

1. Time constraints preclude the scheduling of custom products.
2. Uncertain field conditions may require changes to drainage lines.
3. Existing lines with unknown inverts have to be tied into the new drainage system.
4. Versatility and economy are the essential elements of a new or upgraded system.

Because of their standard sizes, there are a variety of frames, grates, curb boxes, and covers available to suit your application.

Binghamton



**Precast
& Supply**

18 Phelps Street, Binghamton, NY 13901

Fax: (607) 722-0496

Email: sales@binghamtonprecast.com

Phone: (607) 722-0334

Toll Free: 1-800-336-1474

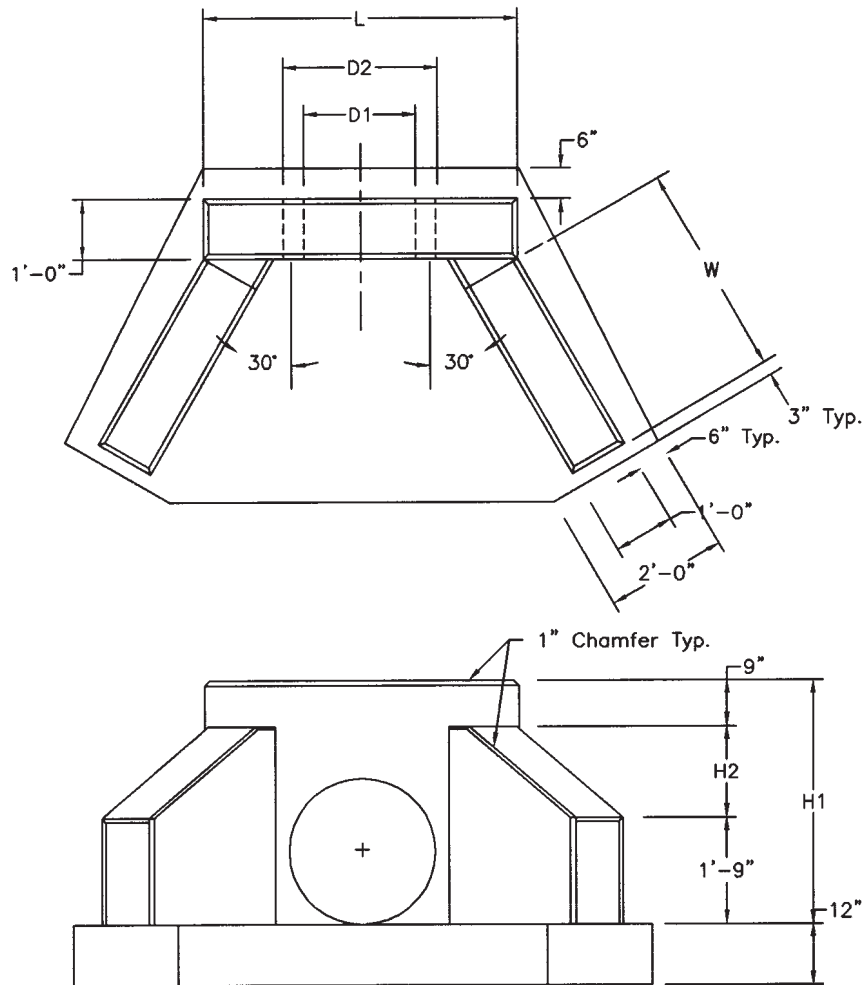
Website: www.binghamtonprecast.com

C1

D-W Endwall

Drawing Number 11-DW1

D1 (PIPE I.D.)	D2 (HOLE ϕ)	SKEW ANGLE	L	W	H1	H2	Weight ea.
18"	26"	0 - 30°	62"	42"	50"	20"	13,159 lbs.
24"	32"	0 - 30°	62"	42"	50"	20"	12,877 lbs.
30"	42"	0 - 30°	62"	42"	50"	20"	12,267 lbs.
33"	46"	0° ONLY	62"	42"	50"	20"	11,973 lbs.
36"	50"	0 - 30°	82"	82"	66"	36"	16,548 lbs.
48"	55"	0 - 30°	82"	82"	66"	36"	16,119 lbs.
52"	66"	0° ONLY	82"	82"	66"	36"	15,030 lbs.



18 Phelps Street, Binghamton, NY 13901

Fax: (607) 722-0496

Email: sales@binghamtonprecast.com

Phone: (607) 722-0334

Toll Free: 1-800-336-1474

Website: www.binghamtonprecast.com

Binghamton

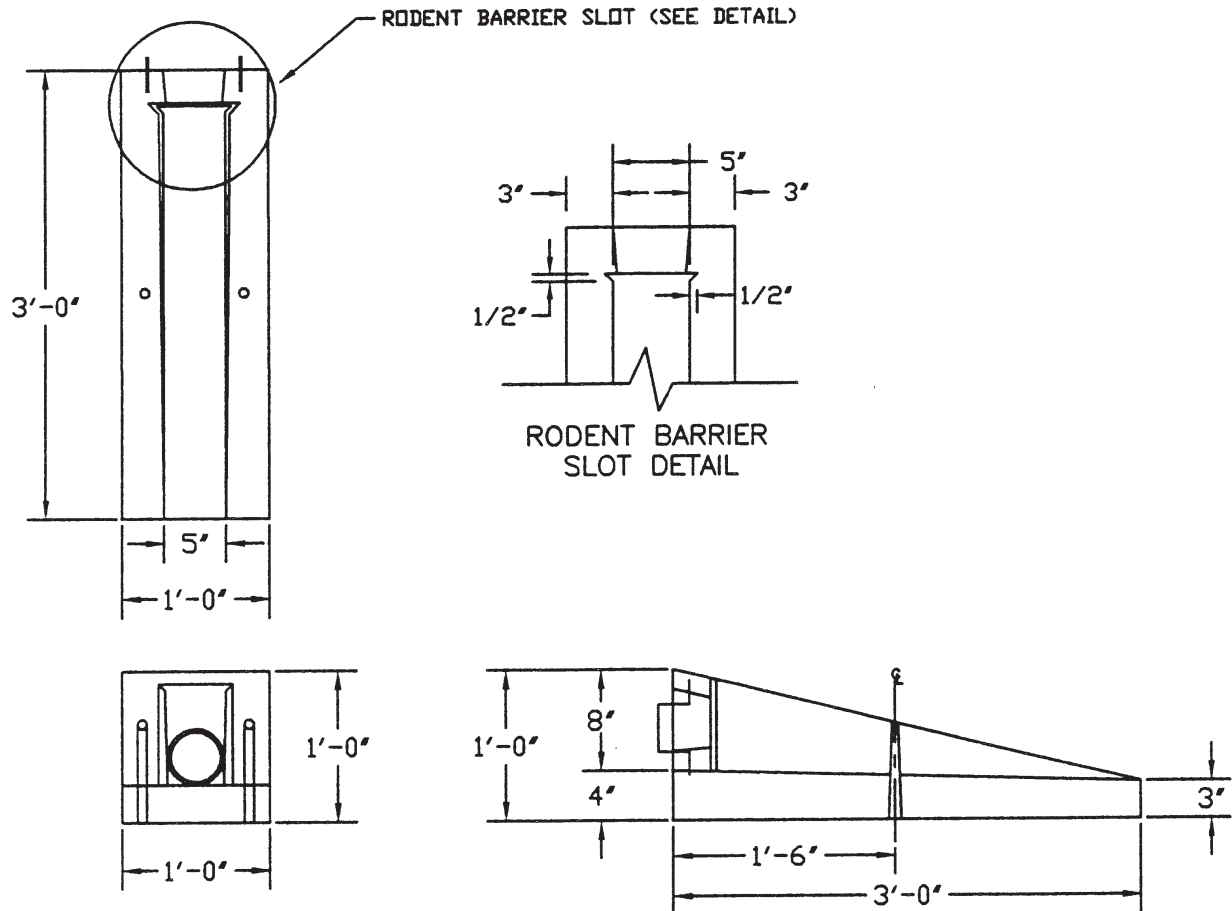


**Precast
& Supply**

Outlet Pipes For Lateral Headwall

C2

Drawing Number REWALL



- Meets NYSDOT Standard Specification 704-03
- Rodent Screens Available
- Epoxy coated 1/2" x 24" anchor bars available
- Weight - 211 Lbs.

Binghamton



**Precast
& Supply**

18 Phelps Street, Binghamton, NY 13901

Fax: (607) 722-0496

Email: sales@binghamtonprecast.com

Phone: (607) 722-0334

Toll Free: 1-800-336-1474

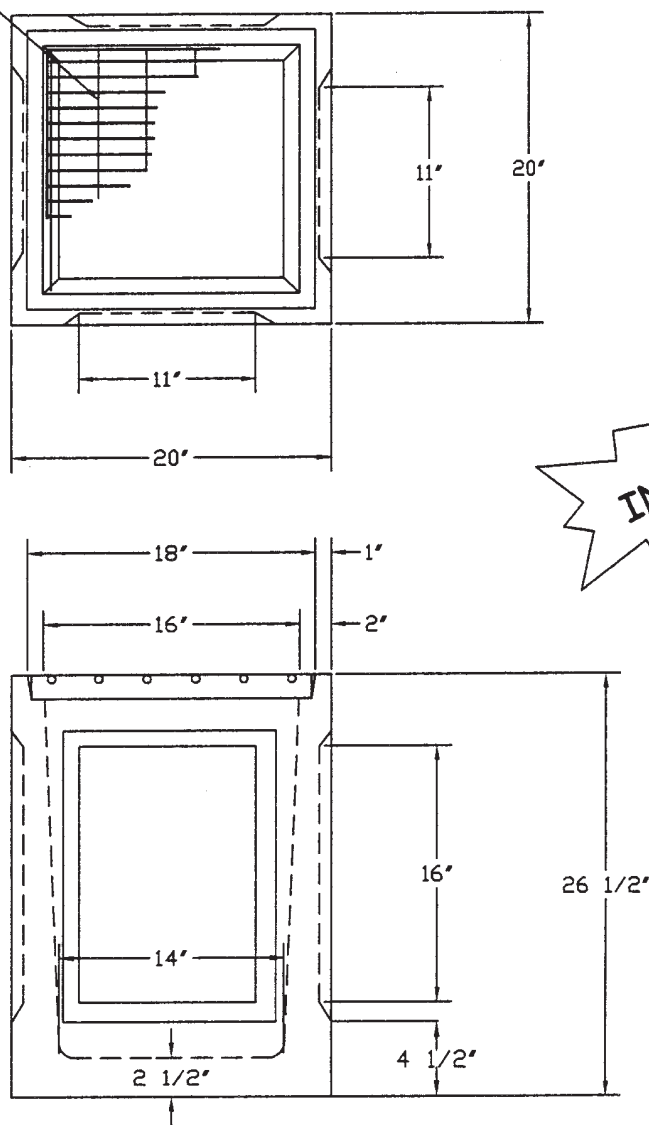
Website: www.binghamtonprecast.com

C3

Non-Traffic Bearing Catch Basin

Drawing Number 08YARD

Light Duty Grating



- Non-traffic bearing
- Knockouts all sides as shown
- Available with or without grate
- wt. - 331 lbs.

18 Phelps Street, Binghamton, NY 13901

Fax: (607) 722-0496

Email: sales@binghamtonprecast.com

Phone: (607) 722-0334

Toll Free: 1-800-336-1474

Website: www.binghamtonprecast.com

Binghamton

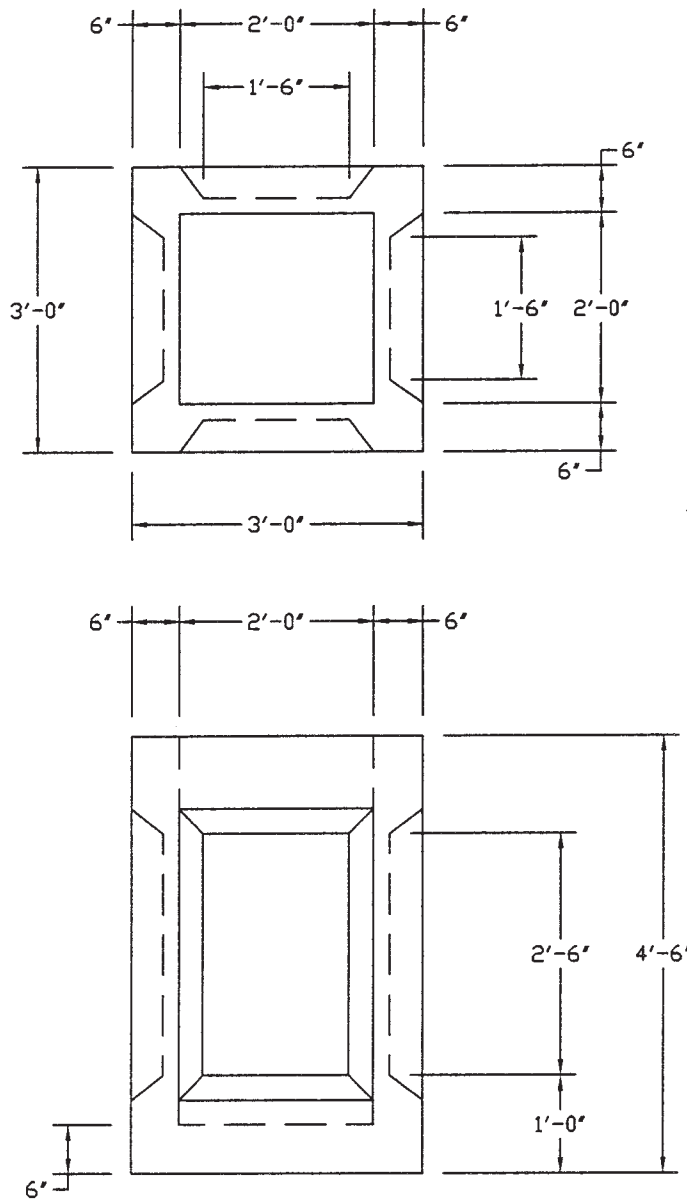


**Precast
& Supply**

2 X 2 Catch Basin

C4

Drawing Number 082X2



IN STOCK

- Knockouts all sides as shown
- Weight = 2758 lbs.
- Meets or exceeds AASHTO HS-20

Binghamton



**Precast
& Supply**

18 Phelps Street, Binghamton, NY 13901

Fax: (607) 722-0496

Email: sales@binghamtonprecast.com

Phone: (607) 722-0334

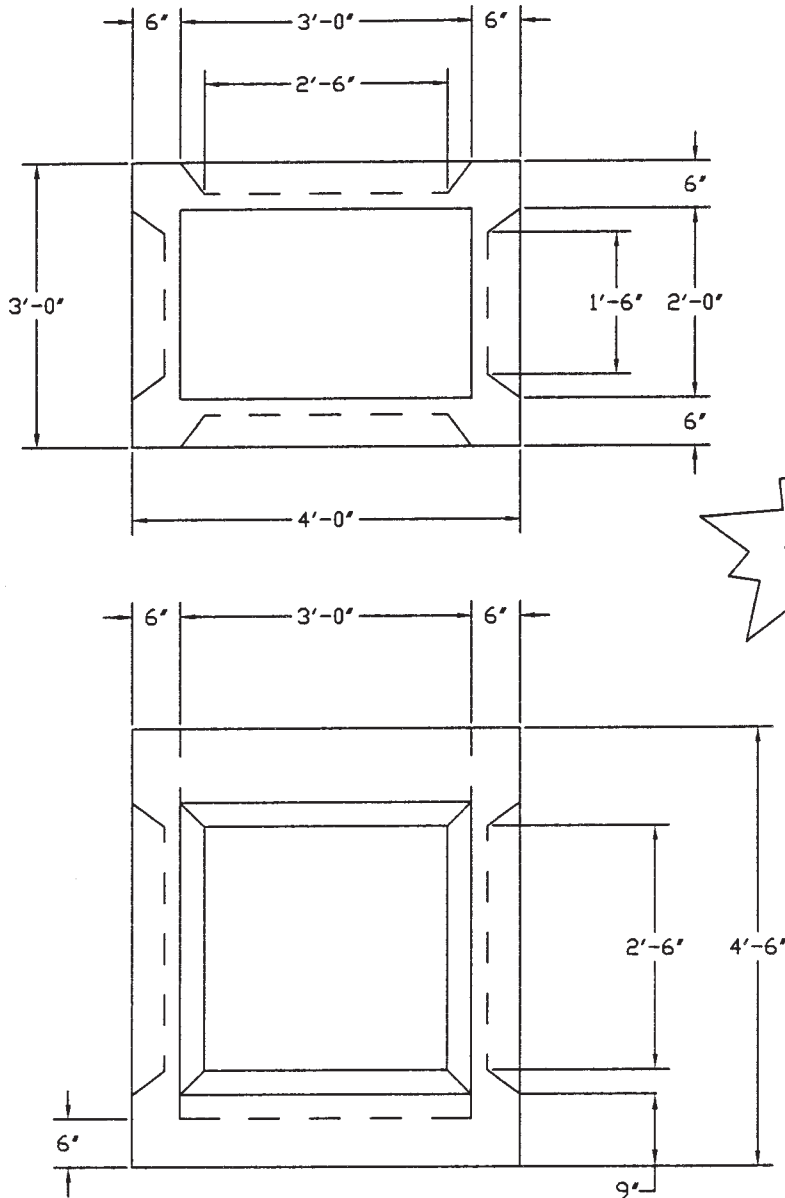
Toll Free: 1-800-336-1474

Website: www.binghamtonprecast.com

C5

2 x 3 Catch Basin

Drawing Number 082X3



IN STOCK

- Knockouts all sides as shown
- Weight = 3275 lbs.
- Meets or exceeds AASHTO HS-20

18 Phelps Street, Binghamton, NY 13901

Fax: (607) 722-0496

Email: sales@binghamtonprecast.com

Phone: (607) 722-0334

Toll Free: 1-800-336-1474

Website: www.binghamtonprecast.com

Binghamton

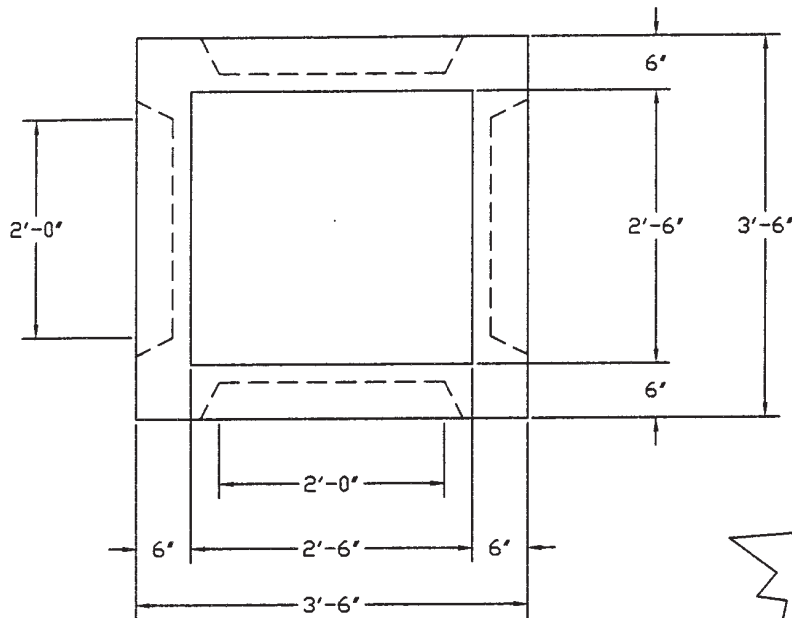


**Precast
& Supply**

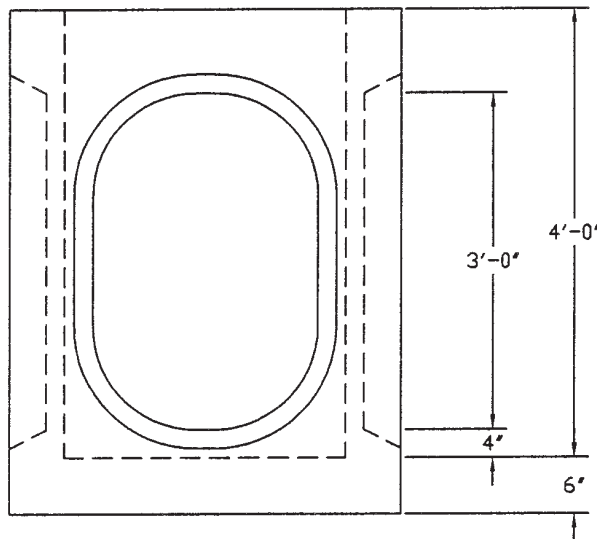
30" x 30" Catch Basin

C6

Drawing Number 083030



IN STOCK



- Knockouts all sides as shown
- Meets or exceeds AASHTO HS20
- Wt. = 3505 lbs.

Binghamton



**Precast
& Supply**

18 Phelps Street, Binghamton, NY 13901

Fax: (607) 722-0496

Email: sales@binghamtonprecast.com

Phone: (607) 722-0334

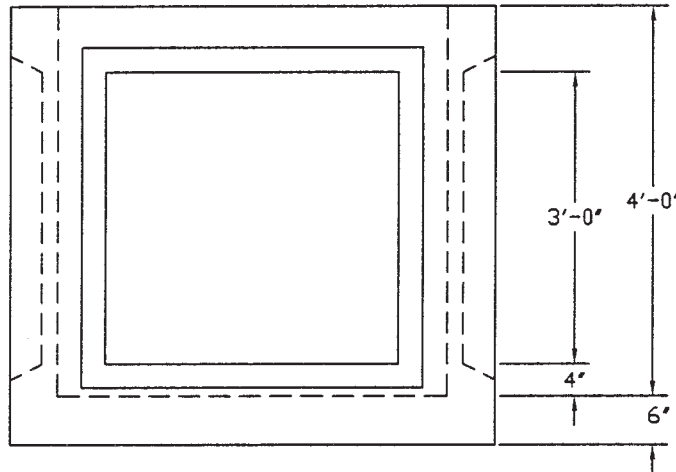
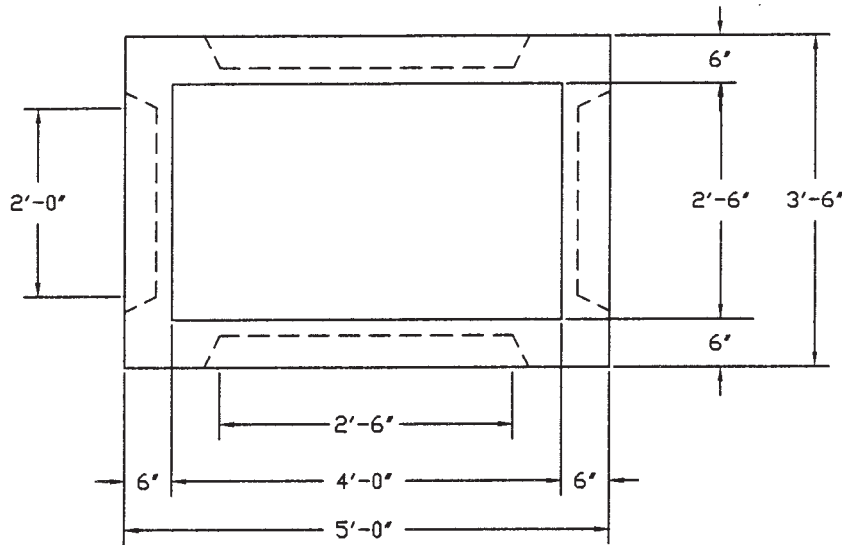
Toll Free: 1-800-336-1474

Website: www.binghamtonprecast.com

C7

30" x 48" Catch Basin

Drawing Number 083048



- Knockouts All Sides As Shown
- Meets Or Exceeds AASHTO HS20
- Weight = 4203 lbs.

18 Phelps Street, Binghamton, NY 13901

Fax: (607) 722-0496

Email: sales@binghamtonprecast.com

Phone: (607) 722-0334

Toll Free: 1-800-336-1474

Website: www.binghamtonprecast.com

Binghamton

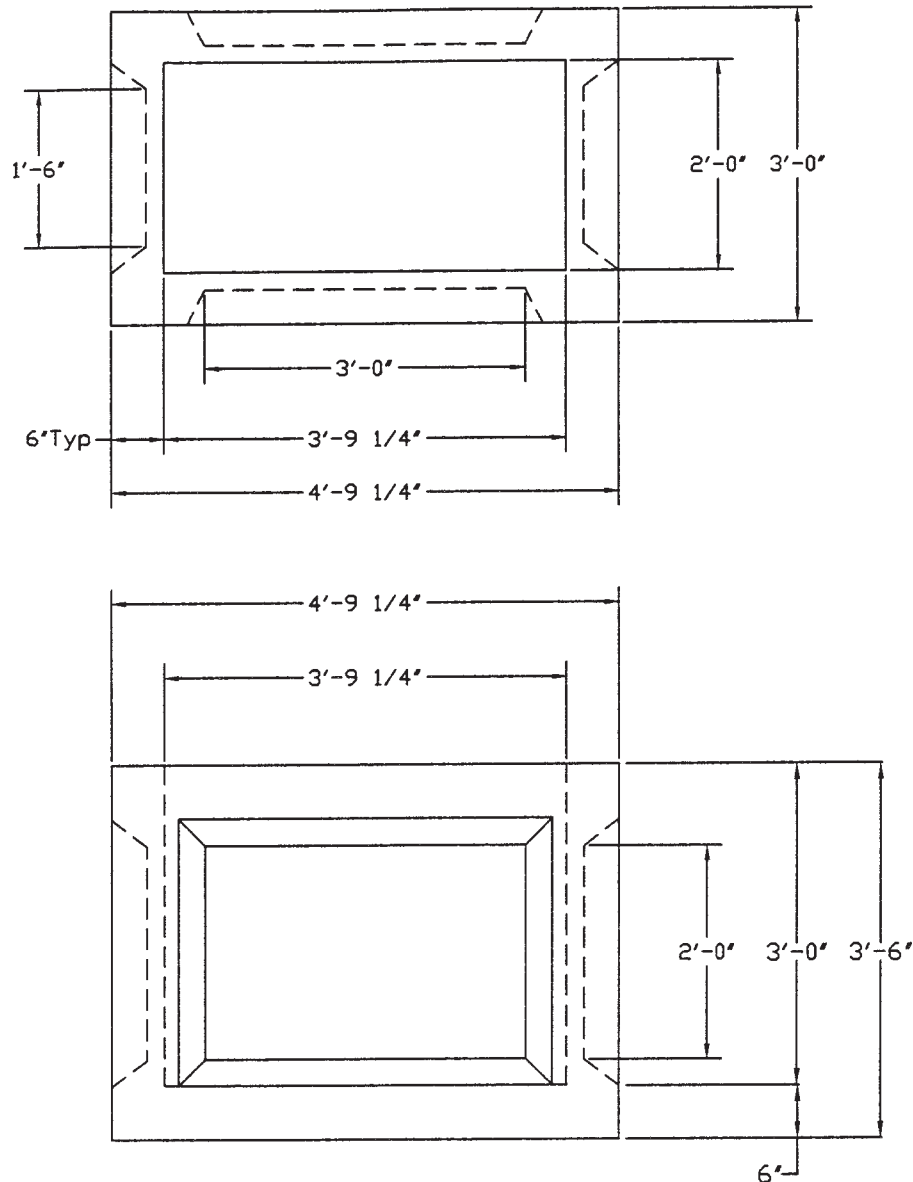


**Precast
& Supply**

24" x 45" Catch Basin

C8

Drawing Number 08239



- Knockouts all sides as shown
- Uses standard PA-DOT inlet top units
- Meets or exceeds AASHTO HS20
- Weight = 3101 lbs.

Binghamton



**Precast
& Supply**

18 Phelps Street, Binghamton, NY 13901

Fax: (607) 722-0496

Email: sales@binghamtonprecast.com

Phone: (607) 722-0334

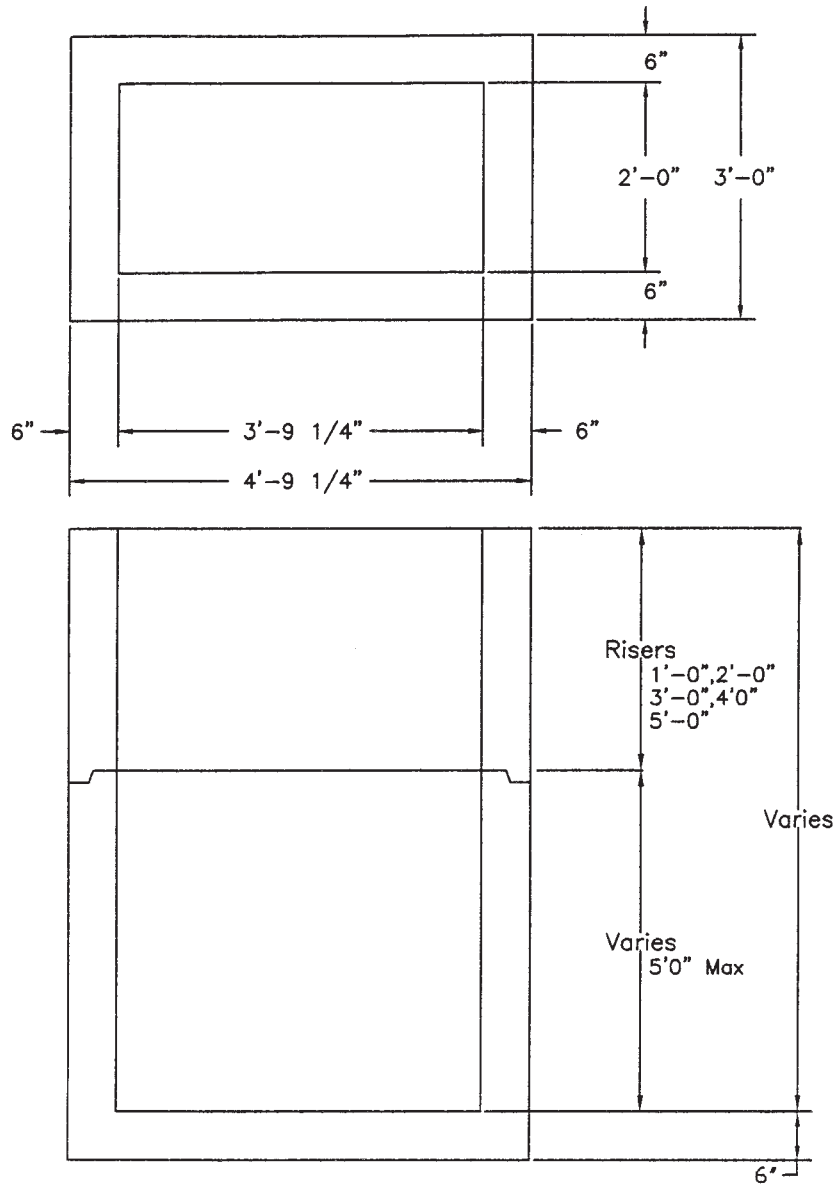
Toll Free: 1-800-336-1474

Website: www.binghamtonprecast.com

C9

PA - DOT Standard Inlet - 24" x 45 1/4"

Drawing Number 08239PA



- Meets PA-DOT Specification 408
- Pipe connections, size and location, as specified
- Expanded units (type 1, 2 & 3) and modified manholes per PA-DOT Publication 72 available
- Base slab wt. = 1073 lbs.
- Riser sec. wt. = 1015 lbs/ft.

18 Phelps Street, Binghamton, NY 13901

Fax: (607) 722-0496

Email: sales@binghamtonprecast.com

Phone: (607) 722-0334

Toll Free: 1-800-336-1474

Website: www.binghamtonprecast.com

Binghamton

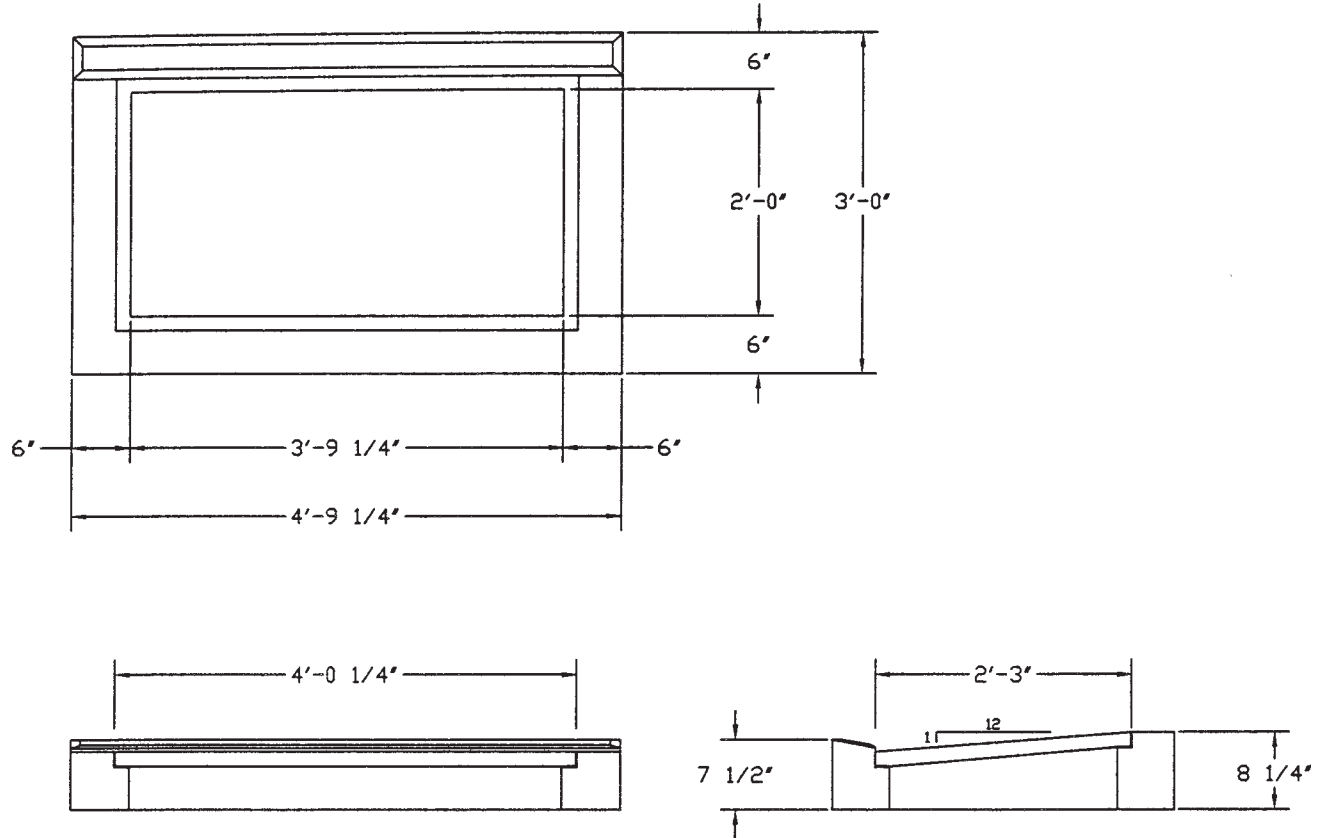


**Precast
& Supply**

PA - DOT Type "S" Inlet Top Unit

C10

Drawing Number 08239S



- Meets PA-DOT Specification 408
- Weight = Approx. 680 lbs.
- Includes steel frame to accept grate
- Various grate styles available

Binghamton



**Precast
& Supply**

18 Phelps Street, Binghamton, NY 13901

Fax: (607) 722-0496

Email: sales@binghamtonprecast.com

Phone: (607) 722-0334

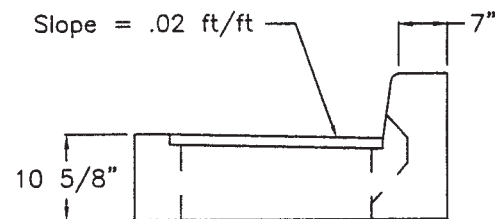
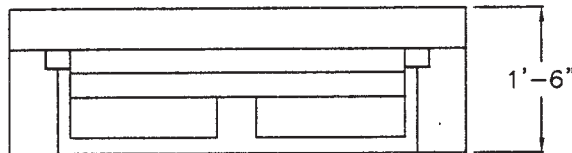
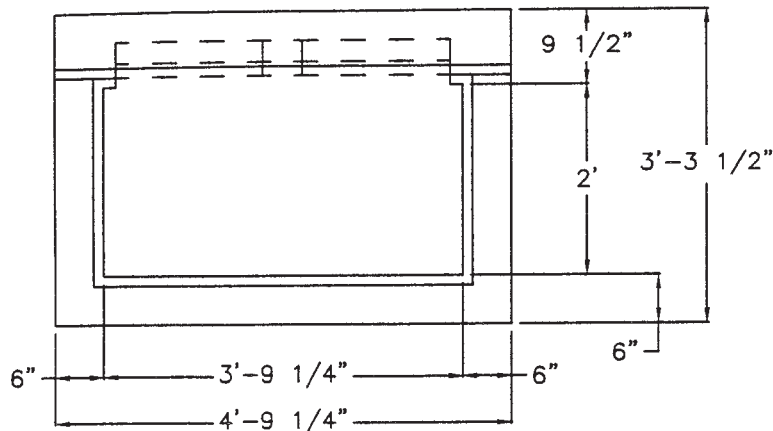
Toll Free: 1-800-336-1474

Website: www.binghamtonprecast.com

C11

PA - DOT Type "C" Inlet Top Unit

Drawing Number 08239C



- Meets PA-DOT Specification 408
- Weight = Approx. 1300lbs
- Includes steel frame to accept grate

18 Phelps Street, Binghamton, NY 13901

Fax: (607) 722-0496

Email: sales@binghamtonprecast.com

Phone: (607) 722-0334

Toll Free: 1-800-336-1474

Website: www.binghamtonprecast.com

Binghamton

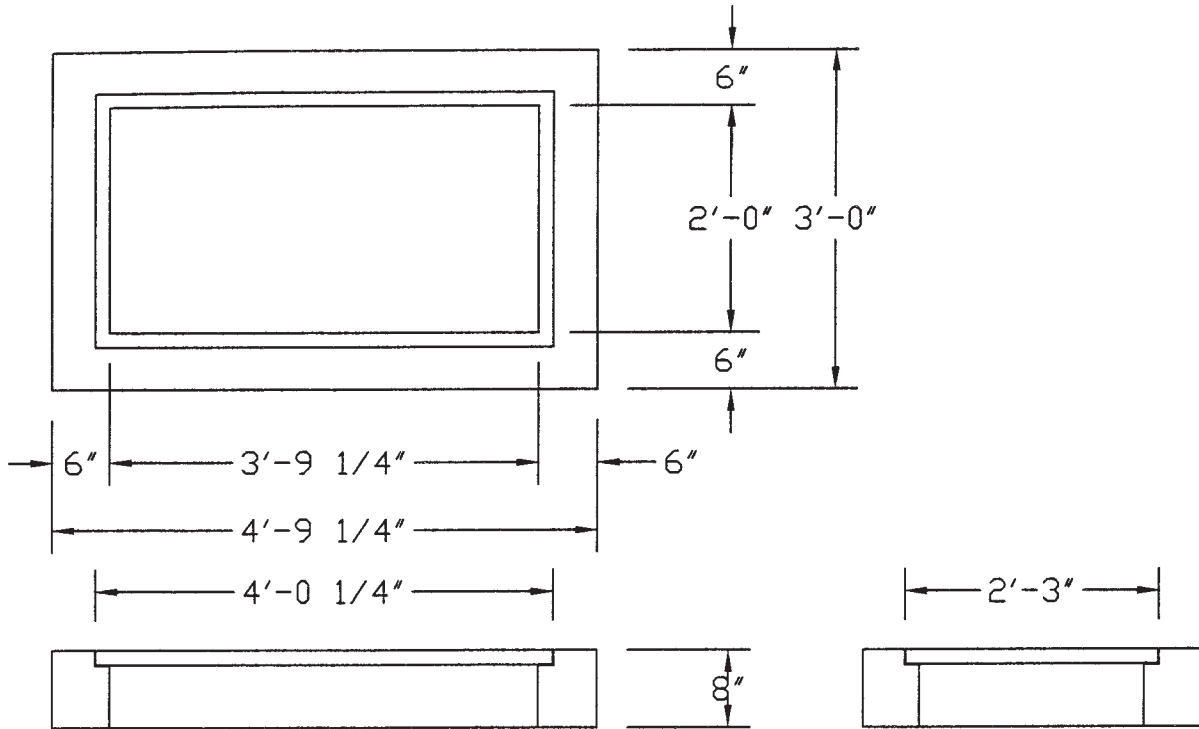


**Precast
& Supply**

PA - DOT Type "M" Inlet Top Unit

C12

Drawing Number 08239M



- Meets PA-DOT Specification 408
- Weight = Approx. 650 lbs.
- Includes steel frame to accept grate
- Various grate styles available

Binghamton



**Precast
& Supply**

18 Phelps Street, Binghamton, NY 13901

Fax: (607) 722-0496

Email: sales@binghamtonprecast.com

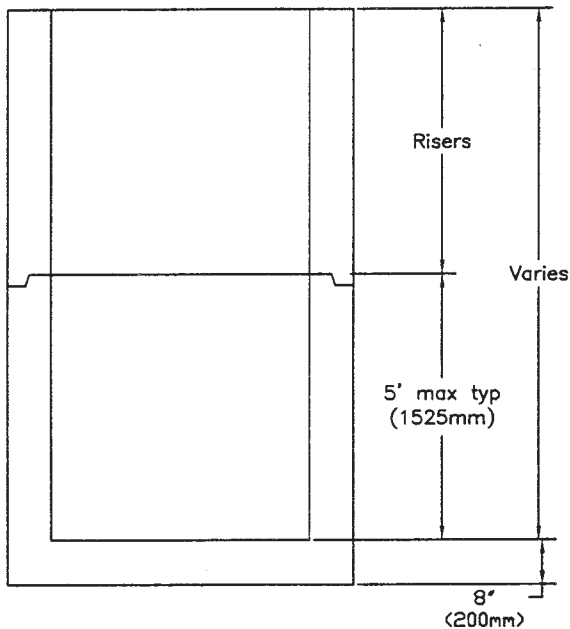
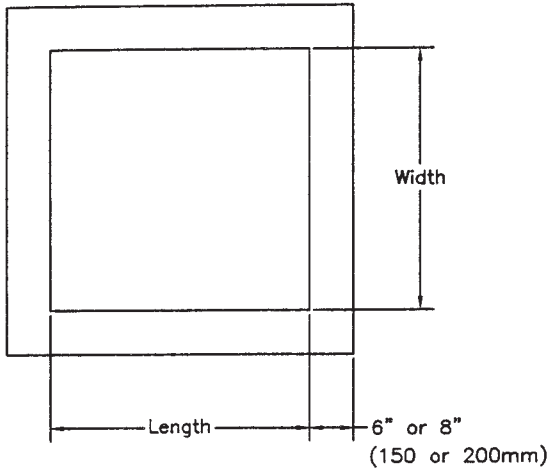
Phone: (607) 722-0334

Toll Free: 1-800-336-1474

Website: www.binghamtonprecast.com

C13 NYSDOT Standard Drainage Units Types "A" - "P"

Drawing Number 09NY1



Rectangular Drainage Structure Type 'A' Thru 'P'					
Type	Width	Length	Type	Width	Length
A	36"	36"	I	36"	60"
B	48"	36"	J	48"	60"
C	60"	36"	K	60"	60"
D	80"	36"	L	80"	60"
E	36"	48"	M	36"	80"
F	48"	48"	N	48"	80"
G	60"	48"	O	60"	80"
H	80"	48"	P	80"	80"

Rectangular Drainage Structure (mm) Type 'A' Thru 'P'					
Type	Width	Length	Type	Width	Length
A	915	915	I	915	1525
B	1220	915	J	1220	1525
C	1525	915	K	1525	1525
D	2030	915	L	2030	1525
E	915	1220	M	915	2030
F	1220	1220	N	1220	2030
G	1525	1220	O	1525	2030
H	2030	1220	P	2030	2030

- Meets NYSDOT 706-04
- Pipe openings, size and location, as specified
- See drawing no. 09NY2 for available cover slabs

18 Phelps Street, Binghamton, NY 13901

Fax: (607) 722-0496

Email: sales@binghamtonprecast.com

Phone: (607) 722-0334

Toll Free: 1-800-336-1474

Website: www.binghamtonprecast.com

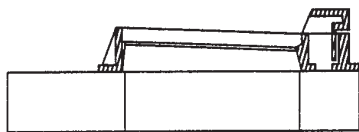
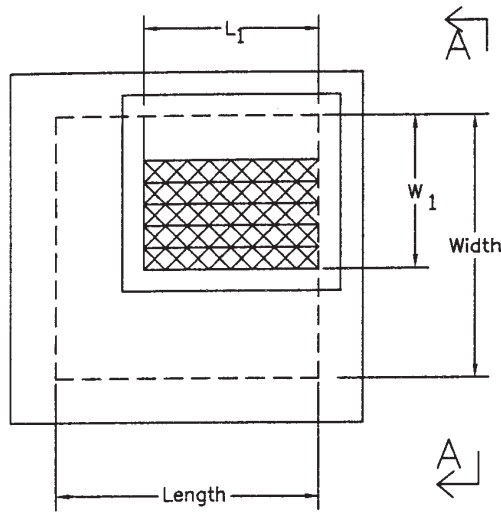
Binghamton



**Precast
& Supply**

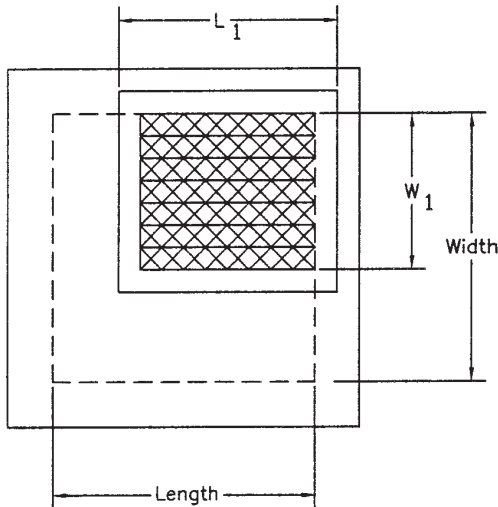
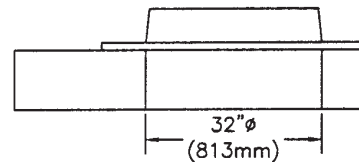
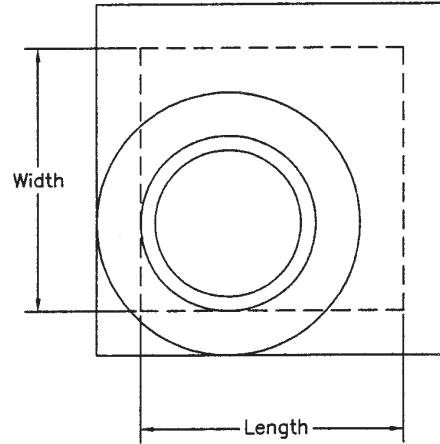
NYS DOT Standard Cover Slabs Types "A" - "P" C14

Drawing Number 09NY2



VIEW A-A

← FLOW DIRECTION



FRAME DIMENSIONS				
FRAME NO.*	W ₁	(mm)	L ₁	(mm)
3	1'-11 15/16"	(608)	3'-1 1/2"	(953)
6	2'-2 7/16"	(672)	2'-3 1/2"	(699)
11	2'-4 15/16"	(735)	3'-1 1/2"	(953)
16	2'-7 7/16"	(799)	3'-11 1/2"	(1207)
22	3'-2 15/16"	(989)	3'-6 1/2"	(1080)
10PCB	2'-0 7/8"	(632)	3'-2 1/2"	(978)
11PCB	2'-3 3/8"	(695)	4'-0 1/2"	(1232)
12PCB	2'-10 7/8"	(886)	3'-7 1/2"	(1105)
F1	3'-5 3/4"	(1060)	3'-0"	(915)
F2	3'-5 3/4"	(1060)	3'-10"	(1168)
F3	3'-5 3/4"	(1060)	4'-8"	(1422)

* See The Current Standard Sheet 604-5 Thru 604-7

- Meets NYSDOT 706-04
- See drawing no. 09NY1 for standard inlet boxes

Binghamton



Precast & Supply

18 Phelps Street, Binghamton, NY 13901

Fax: (607) 722-0496

Email: sales@binghamtonprecast.com

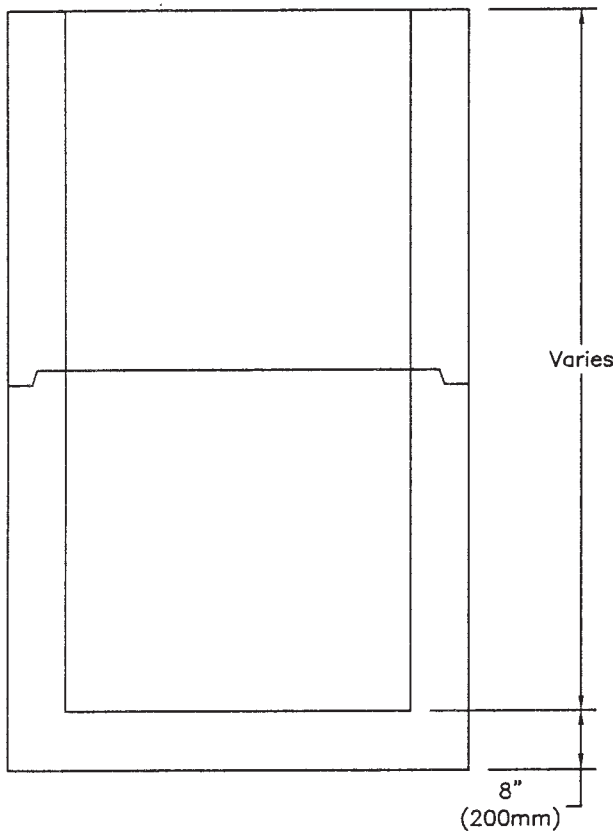
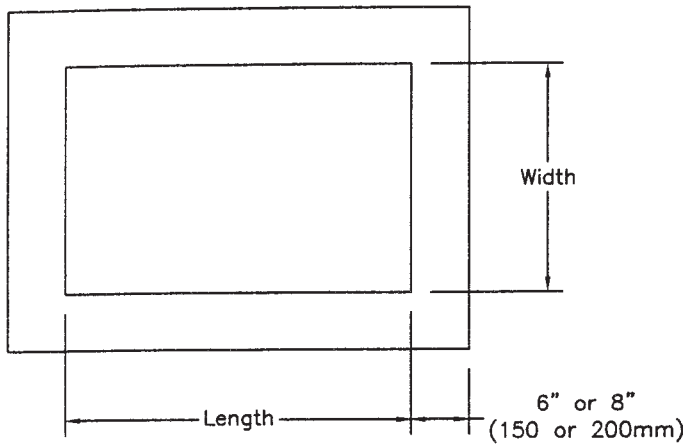
Phone: (607) 722-0334

Toll Free: 1-800-336-1474

Website: www.binghamtonprecast.com

C15 NYSDOT Standard Drainage Units Types "Q" - "U"

Drawing Number 09NY3



Type	Width	Length	Frame
Q	2'-10"	3'-0"	F2
R	2'-10"	3'-10"	F3
* S	2'-0"	2'-8"	11
* S	2'-0"	2'-8"	10PCB
* T	2'-2"	3'-6"	16
* T	2'-2"	3'-6"	11PCB
* U	2'-10"	3'-0"	22
* U	2'-10"	3'-0"	12PCB

* Requires Inlet Caps

Type	Width	Length	Frame
Q	815	915	F2
R	815	1170	F3
* S	610	815	11
* S	610	815	10PCB
* T	660	1065	16
* T	660	1065	11PCB
* U	865	965	22
* U	865	965	12PCB

* Requires Inlet Caps

- Meets NYSDOT 706-04
- Pipe openings, size and location, as specified
- See drawing no. 09NY4 for optional inlet caps

18 Phelps Street, Binghamton, NY 13901

Fax: (607) 722-0496

Email: sales@binghamtonprecast.com

Phone: (607) 722-0334

Toll Free: 1-800-336-1474

Website: www.binghamtonprecast.com

Binghamton

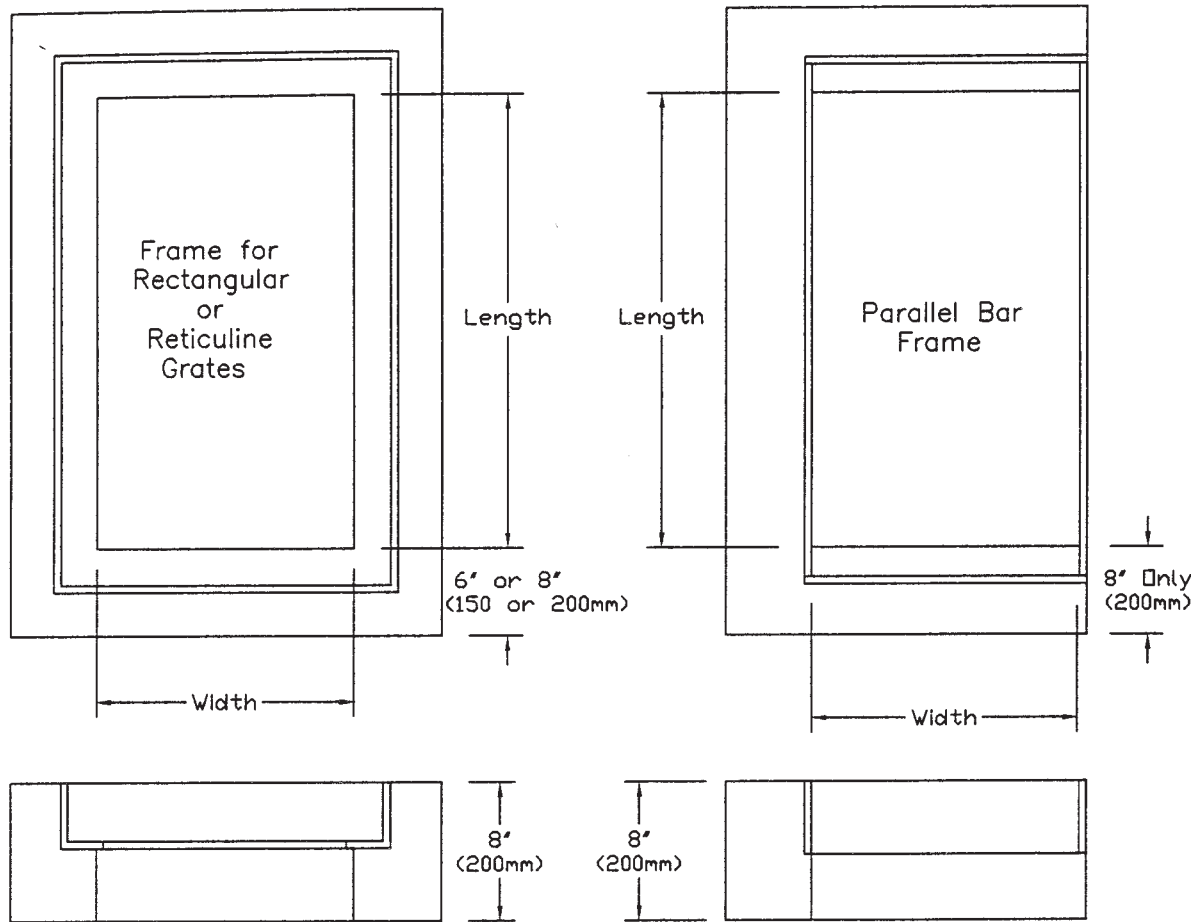


**Precast
& Supply**

NYS DOT Standard Inlet Caps Types "Q" - "U"

C16

Drawing Number 09NY4



- 3-Sided cap for curb applications
- Meets NYSDOT 706-04
- See drawing no. 09NY3 for Standard Inlet Boxes
- Refer to drawing no 09NY3 for length and width dimensions

FRAME DIMENSIONS				
FRAME NO.*	W ₁	(mm)	L ₁	(mm)
11	2'-4 15/16"	(610)	3'-1 1/2"	(815)
16	2'-7 7/16"	(660)	3'-11 1/2"	(1065)
22	3'-2 15/16"	(865)	3'-6 1/2"	(965)
10PCB	2'-0 7/8"	(610)	3'-2 1/2"	(815)
11PCB	2'-3 3/8"	(660)	4'-0 1/2"	(1065)
12PCB	2'-10 7/8"	(865)	3'-7 1/2"	(965)

Binghamton



**Precast
& Supply**

18 Phelps Street, Binghamton, NY 13901

Fax: (607) 722-0496

Email: sales@binghamtonprecast.com

Phone: (607) 722-0334

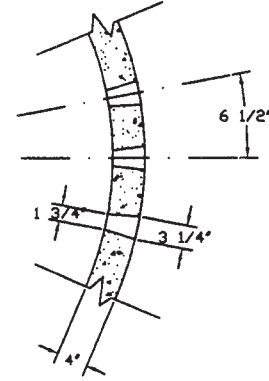
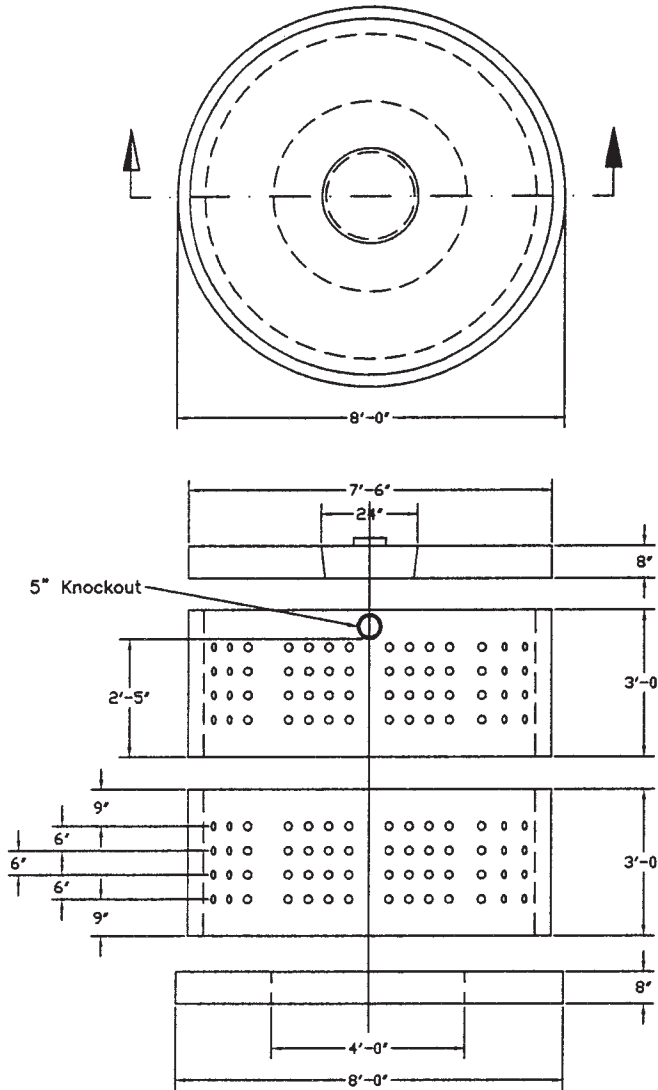
Toll Free: 1-800-336-1474

Website: www.binghamtonprecast.com

C17

Leaching Pit w/HS-20 Base & Top

Drawing Number 02DRYWELL



IN STOCK

- Additional pipe connections size & locations location can be customized
- Additional sections may be used.
- Meets or exceeds AASHTO HS-20
- Volume capacity – 824 gals. per 3' section
- Base section wt. – 3785 LBS.
- Leach pit section wt. – 3230 LBS.
- Top section wt. – 4435 LBS.

18 Phelps Street, Binghamton, NY 13901

Fax: (607) 722-0496

Email: sales@binghamtonprecast.com

Phone: (607) 722-0334

Toll Free: 1-800-336-1474

Website: www.binghamtonprecast.com

Binghamton

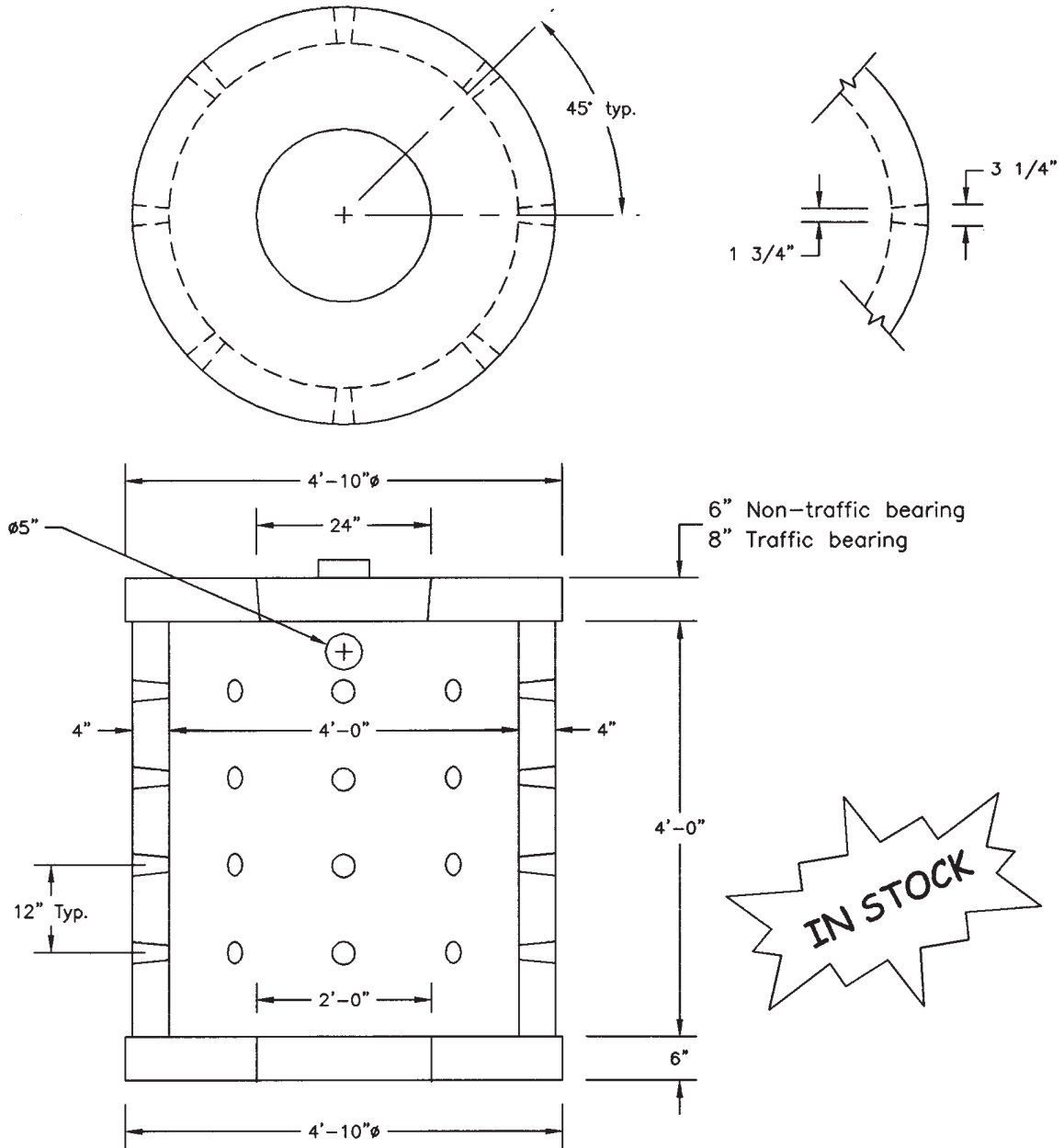


**Precast
& Supply**

48" Diameter Leaching Basin

C18

Drawing Number 054801



- Access 24"Ø or as specified
- Pipe connections, type, size, and location as specified
- Traffic bearing and non-traffic bearing covers available
- 6" Cover slab wt. = 1156 lbs.
- 8" Cover slab wt. = 1548 lbs.
- Barrel section wt. = 673 lbs/ft.
- Base slab wt. = 1390 lbs.

Binghamton



**Precast
& Supply**

18 Phelps Street, Binghamton, NY 13901

Fax: (607) 722-0496

Email: sales@binghamtonprecast.com

Phone: (607) 722-0334

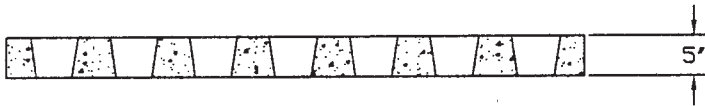
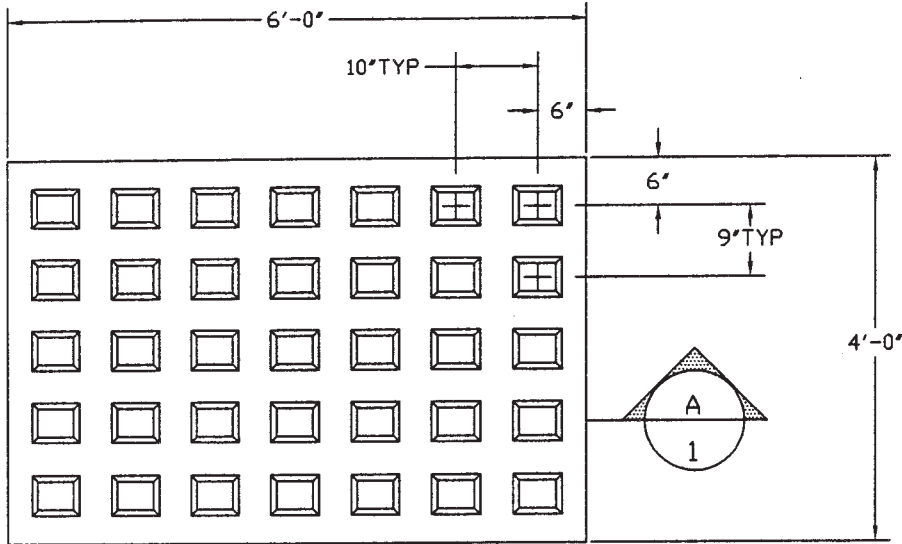
Toll Free: 1-800-336-1474

Website: www.binghamtonprecast.com

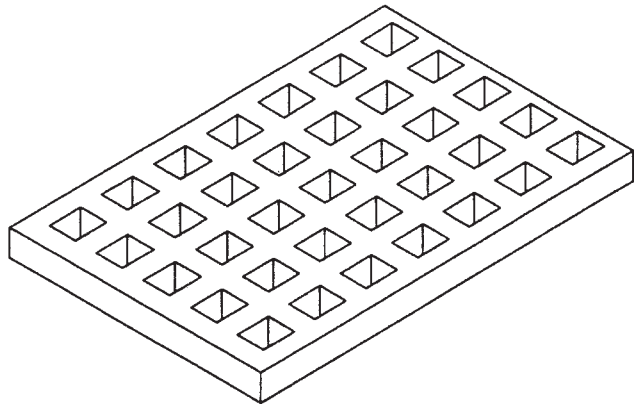
C19

Splash Block

Drawing Number SPLASH



SECTION VIEW 



18 Phelps Street, Binghamton, NY 13901

Fax: (607) 722-0496

Email: sales@binghamtonprecast.com

Phone: (607) 722-0334

Toll Free: 1-800-336-1474

Website: www.binghamtonprecast.com

Binghamton

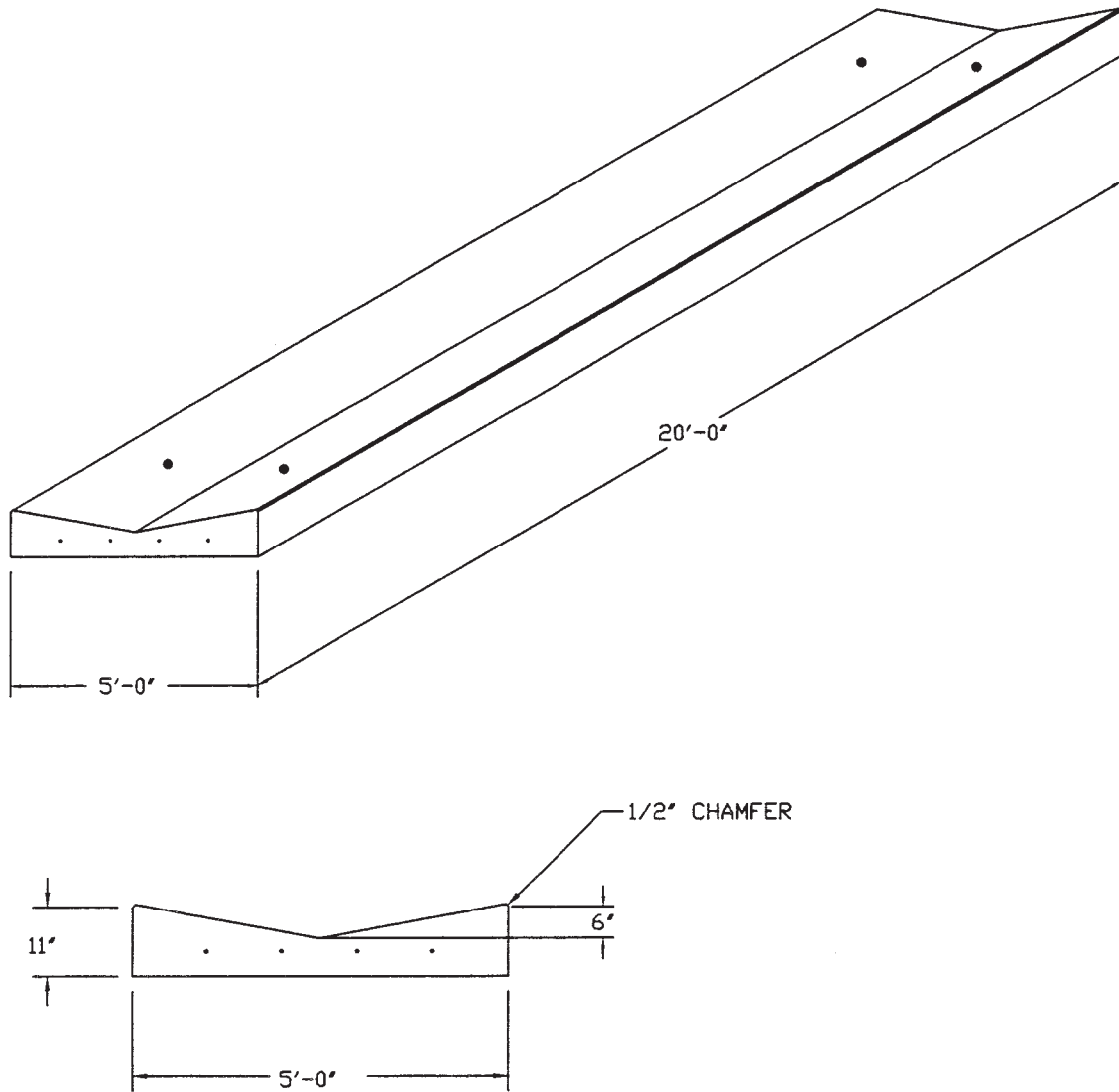


**Precast
& Supply**

Trench

C20

Drawing Number TRENCH



- Section length varies to 20' max.
- Weight = 13,748 lbs.

Binghamton



**Precast
& Supply**

18 Phelps Street, Binghamton, NY 13901

Fax: (607) 722-0496

Email: sales@binghamtonprecast.com

Phone: (607) 722-0334

Toll Free: 1-800-336-1474

Website: www.binghamtonprecast.com