

SANITARY & STORM MANHOLE PRODUCTS

B

Index

Product	Drawing Number	Page
48" Diameter EB-6 Stock Manhole with Flat Slab Cover	EB-6	B1
48" Diameter EB-6 Mono-Base Manhole with 3' Eccentric Cone	0348001	B2
48" Diameter EB-6 Mono-Base Manhole with 2' Eccentric Cone	0348002	B3
48" Diameter EB-6 Mono-Base Manhole with Flat Slab Cover	0348003	B4
60" Diameter Extended and Non-Extended Base Manhole with Flat Slab Cover	036002	B5
72" Diameter Extended and Non-Extended Base Manhole with Flat Slab Cover	037202	B6
78" Diameter Extended and Non-Extended Base Manhole with Flat Slab Cover	037802	B7
96" Diameter Extended and Non-Extended Base Manhole with Flat Slab Cover	039602	B8
126" Diameter Extended and Non-Extended Base Manhole with Flat Slab Cover ..	03126	B9
Reducer Sections for Round Manholes	03248R.....	B10
Split Grade Adjustment Ring	04240	B11
Prepoured Invert for 48" Manholes	03486	B12
Outside Drop for 48" Diameter Manholes	03487	B13
Standard Doghouse Manhole with Detached Base	03485	B14

Round manhole units manufactured by Binghamton Precast & Supply are particularly suitable for:

- Storm Sewers
- Drop Inlets
- Valve Vaults
- Sanitary Manholes
- Syphon Tanks
- Meter Pits
- Catch Basins
- Pump Stations
- Grease Interceptors

Sizes manufactured: 48" Dia., 60" Dia., 72" Dia., 78" Dia., 96" Dia., and 126" Dia.

For additional assistance with appropriate access castings and hatch doors call our Sales Department.

Notes to Specifiers:

All round manhole products are manufactured to comply with ASTM C478. Flat slab covers and reducers are designed in accordance with ACI 318 to meet the structural loading requirements of AASHTO HS20-44.

For watertight sanitary structures, specify resilient connectors between manhole structures and pipes meeting the requirements of ASTM C-923 as manufactured by A Lok Products. Butyl joint sealant meets Federal Specifications SSS-210-A.

For corrosion resistant steps meeting all OSHA and ASTM standards, specify steel reinforced copolymer polypropylene steps as manufactured by MA Industries.

Binghamton



**Precast
& Supply**

18 Phelps Street, Binghamton, NY 13901

Fax: (607) 722-0496

Email: sales@binghamtonprecast.com

Phone: (607) 722-0334

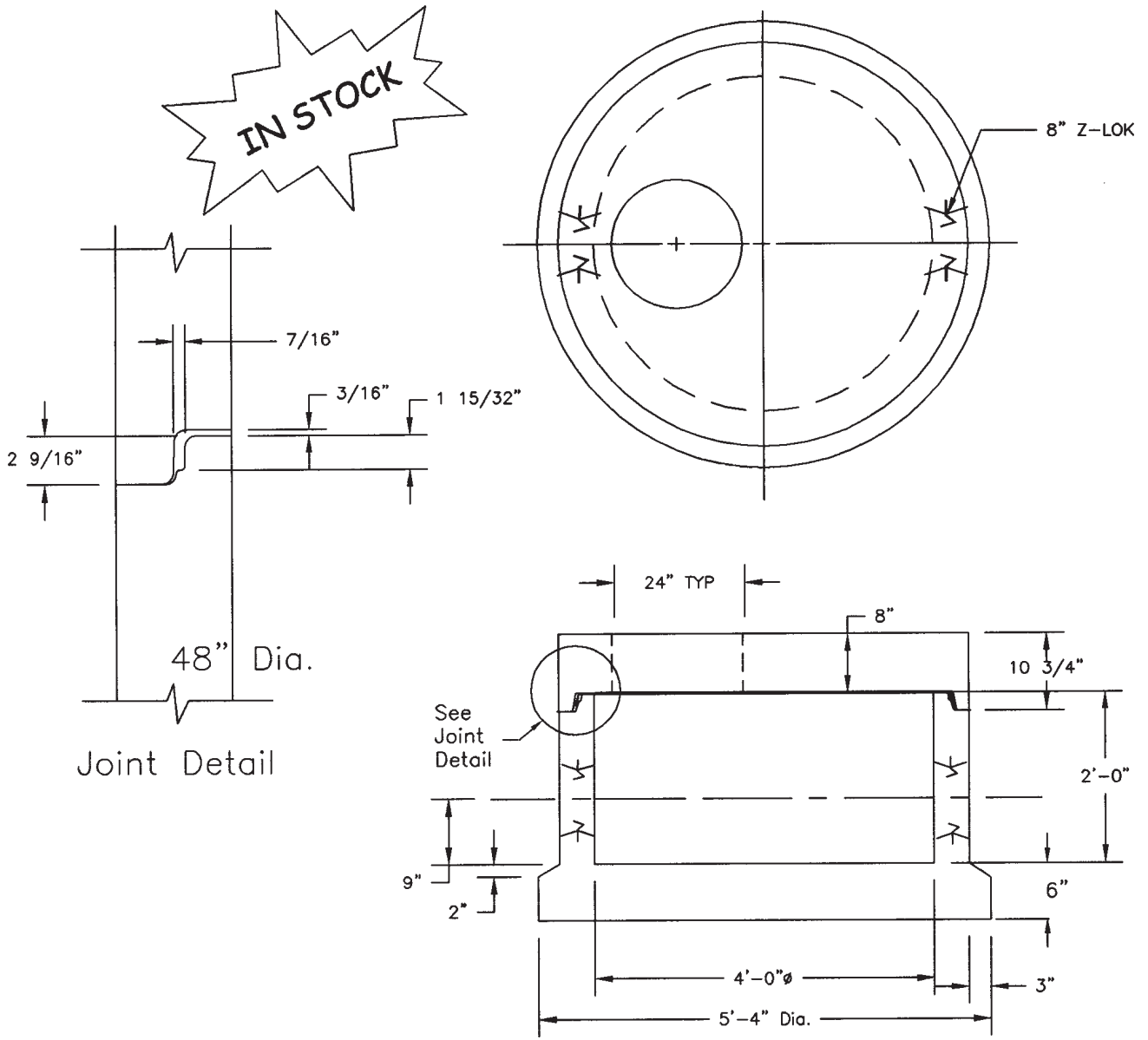
Toll Free: 1-800-336-1474

Website: www.binghamtonprecast.com

B1 48" Ø EB-6 Stock Manhole w/Flat Slab Cover

Drawing Number Stock EB-6

IN STOCK



- Access 24"Ø or as specified
- Butyl seal joints

- Meets ASTM C478 Specification
- Base wt. = 1673 lbs.
- FSC cover wt. = 1675 lbs.
- Barrel section wt. = 865 lbs/ft.

18 Phelps Street, Binghamton, NY 13901

Fax: (607) 722-0496

Email: sales@binghamtonprecast.com

Phone: (607) 722-0334

Toll Free: 1-800-336-1474

Website: www.binghamtonprecast.com

Binghamton

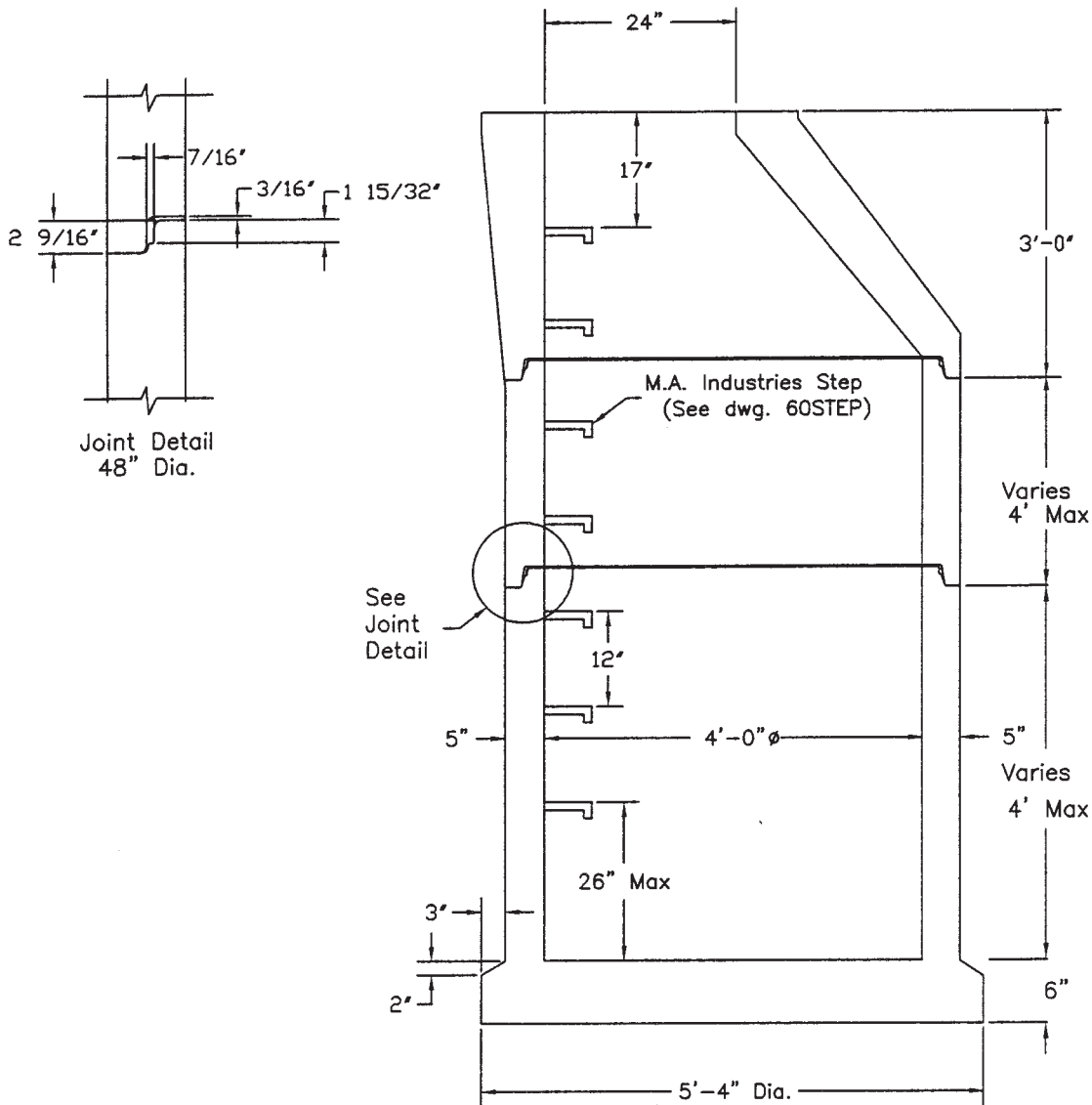


**Precast
& Supply**

48" ø EB-6 Monobase-Manhole w/3' Eccentric Cone

B2

Drawing Number 0348001



- Access 24"ø
- Pipe connections, type, size, and location as specified
- Butyl seal joints

- Meets ASTM C478 Specifications
- Base wt. = 1673 lbs.
- Cone section wt. = 2600 lbs.
- Barrel section wt. = 865 lbs/ft.

Binghamton



**Precast
& Supply**

18 Phelps Street, Binghamton, NY 13901

Fax: (607) 722-0496

Email: sales@binghamtonprecast.com

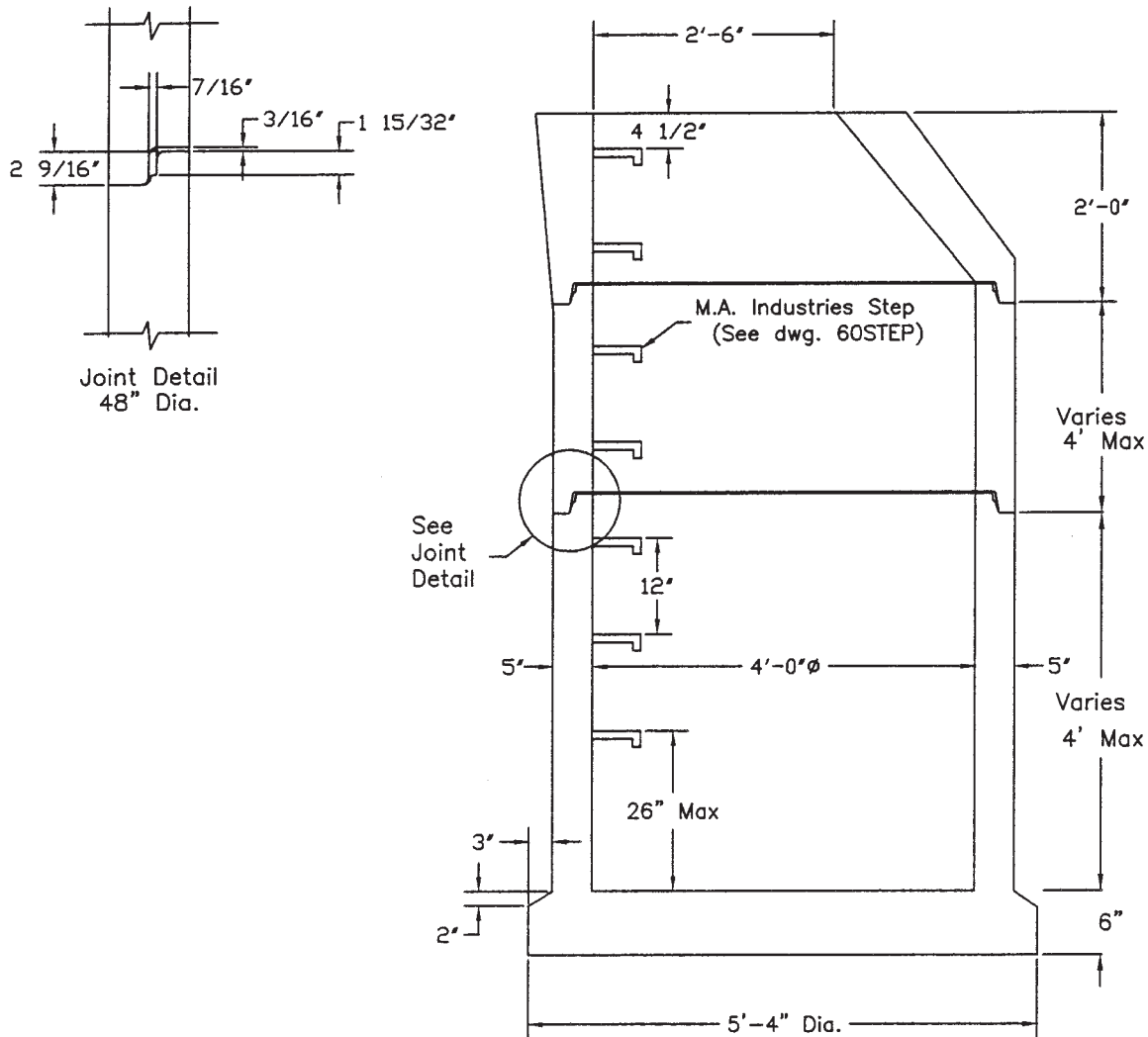
Phone: (607) 722-0334

Toll Free: 1-800-336-1474

Website: www.binghamtonprecast.com

B3 48" ø EB-6 Mono-Base Manhole w/2' Eccentric Cone

Drawing Number 0348002



- Access 30"ø
- Pipe connections, type, size, and location as specified
- Butyl seal joints
- Meets ASTM C478 Specification
- Base wt. = 1673 lbs.
- Cone section wt. = 2080 lbs.
- Barrel section wt. = 865 lbs/ft.

18 Phelps Street, Binghamton, NY 13901

Fax: (607) 722-0496

Email: sales@binghamtonprecast.com

Phone: (607) 722-0334

Toll Free: 1-800-336-1474

Website: www.binghamtonprecast.com

Binghamton

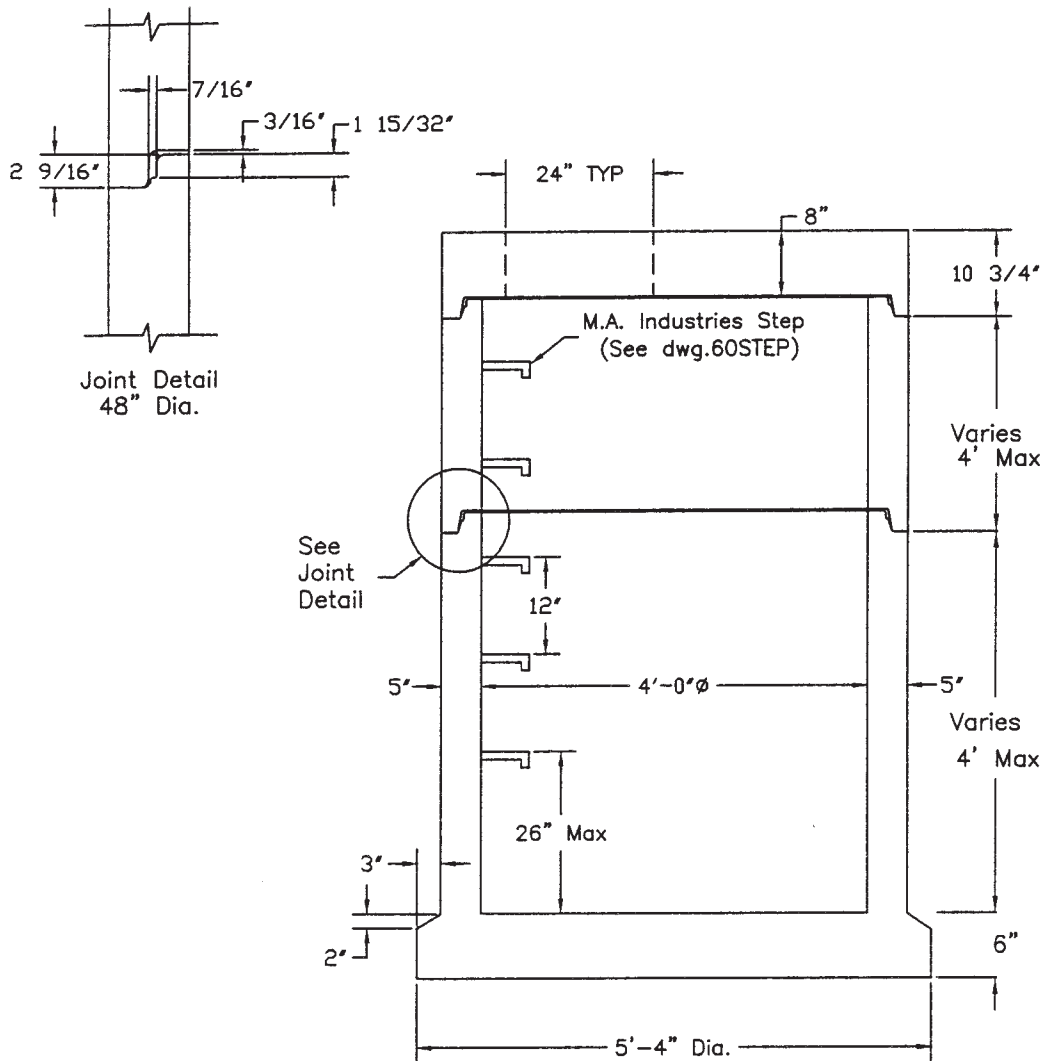


**Precast
& Supply**

48" ø EB-6 Mono-Base Manhole w/Flat Slab Cover

B4

Drawing Number 0348003



- Access 24"ø or as specified
- Pipe connections, type, size, and location as specified
- Butyl seal joints

- Meets ASTM C478 Specification
- Base wt. = 1621 lbs.
- FSC section wt. = 1938 lbs.
- Barrel section wt. = 865 lbs/ft.

Binghamton



**Precast
& Supply**

18 Phelps Street, Binghamton, NY 13901

Fax: (607) 722-0496

Email: sales@binghamtonprecast.com

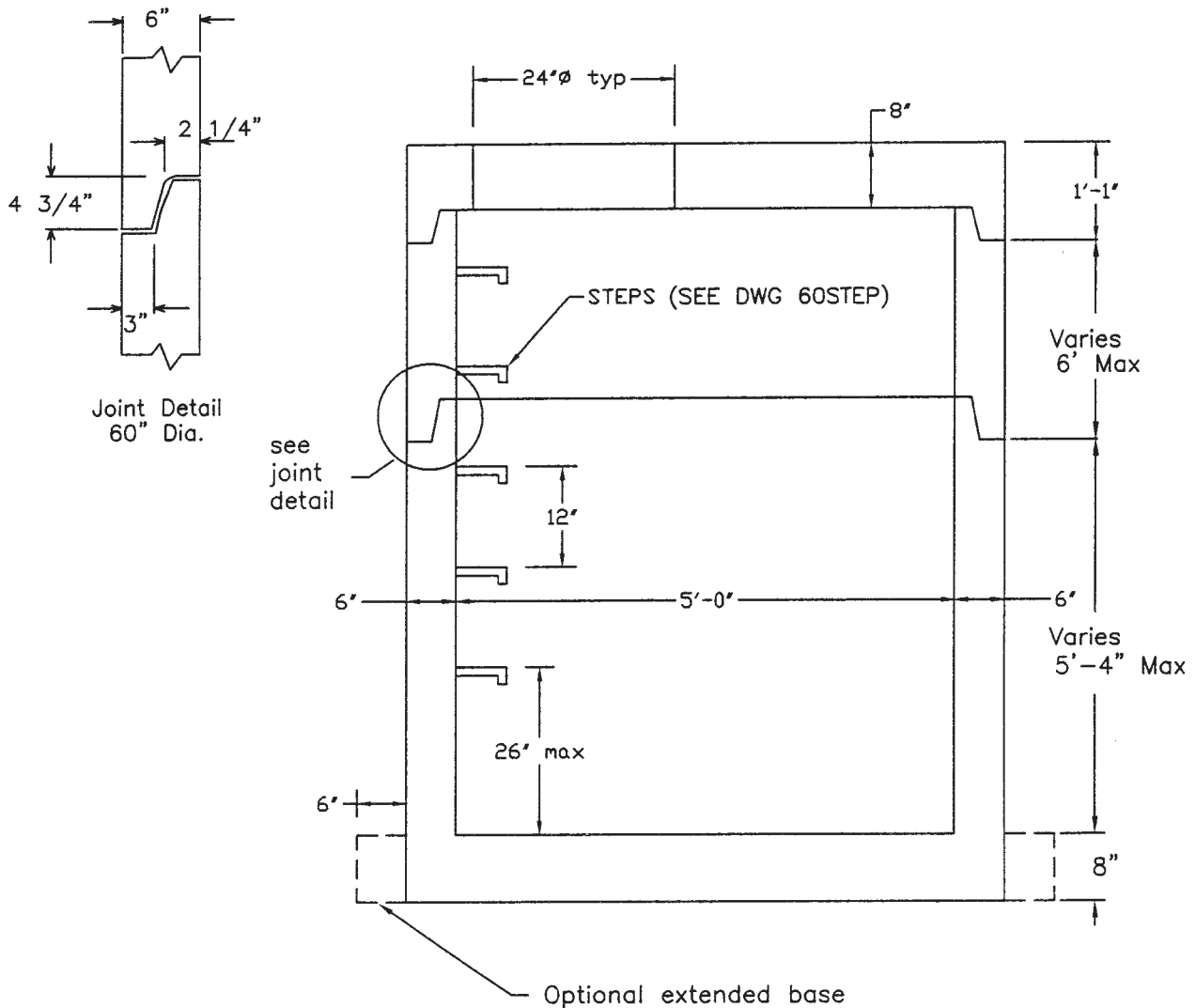
Phone: (607) 722-0334

Toll Free: 1-800-336-1474

Website: www.binghamtonprecast.com

B560" \emptyset Extended and Non-Extended Base Manhole w/Flat Slab Cover

Drawing Number 036002



- Access 24" \emptyset or as specified
- Pipe connections, type, size, and location as specified
- Butyl seal joints
- Meets ASTM C478

- Non-Extended base wt. = 2840 lbs.
- Extended base wt. = 3865 lbs.
- Cover slab wt. = 2754 lbs.
- Barrel section wt. = 1295 lbs/ft.

18 Phelps Street, Binghamton, NY 13901

Fax: (607) 722-0496

Email: sales@binghamtonprecast.com

Phone: (607) 722-0334

Toll Free: 1-800-336-1474

Website: www.binghamtonprecast.com

Binghamton

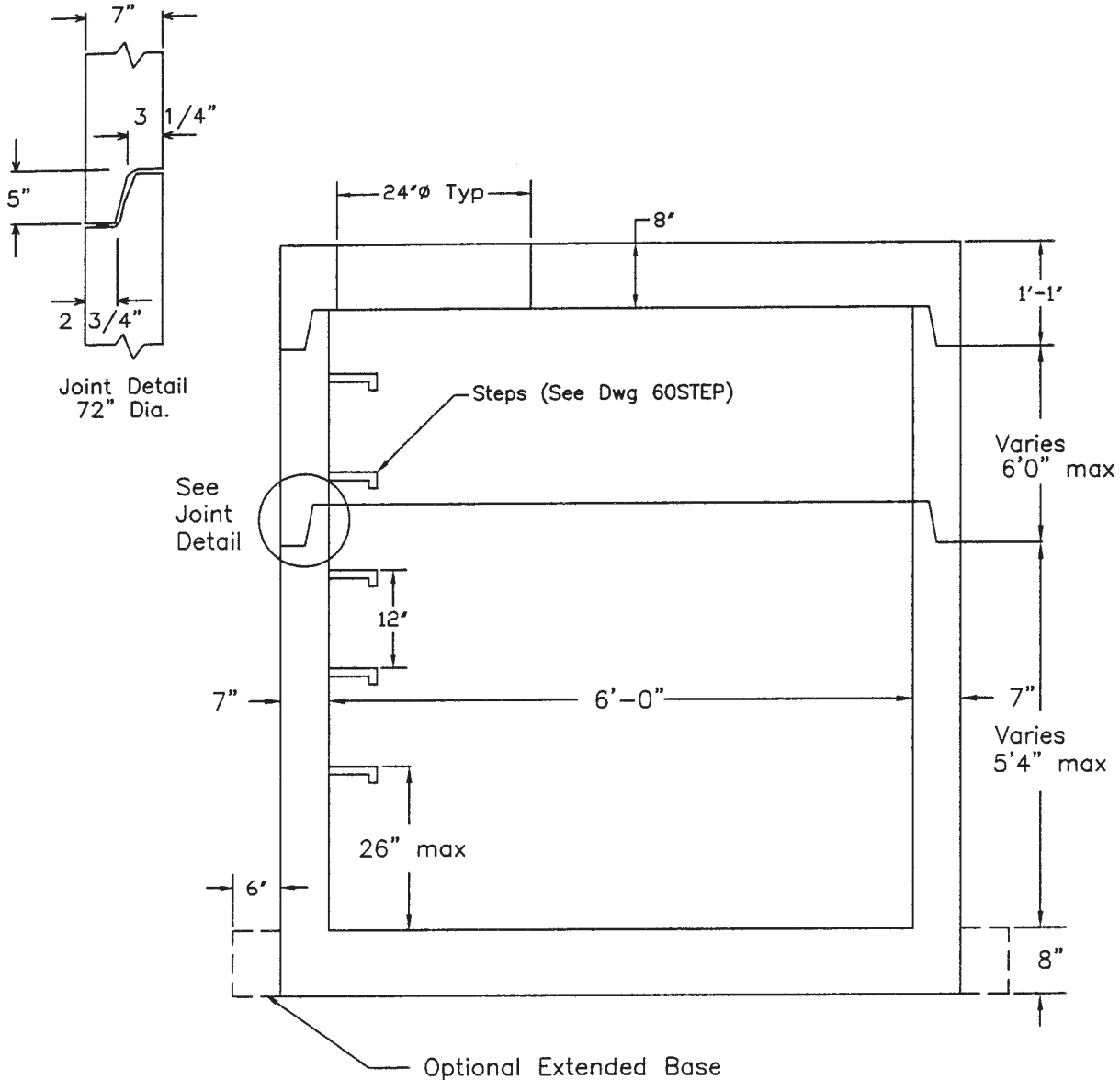


**Precast
& Supply**

72" ϕ Extended and Non-Extended Base Manhole w/Flat Slab Cover

B6

Drawing Number 037202



- Access 24" ϕ or as specified
- Pipe connections, type, size, and location as specified
- Butyl seal joints
- Meets ASTM C478

- Non-Extended base wt. = 4050 lbs.
- Extended base wt. = 5260 lbs.
- Cover slab wt. = 4160 lbs.
- Barrel section wt. = 1808 lbs/ft.

Binghamton



**Precast
& Supply**

18 Phelps Street, Binghamton, NY 13901

Fax: (607) 722-0496

Email: sales@binghamtonprecast.com

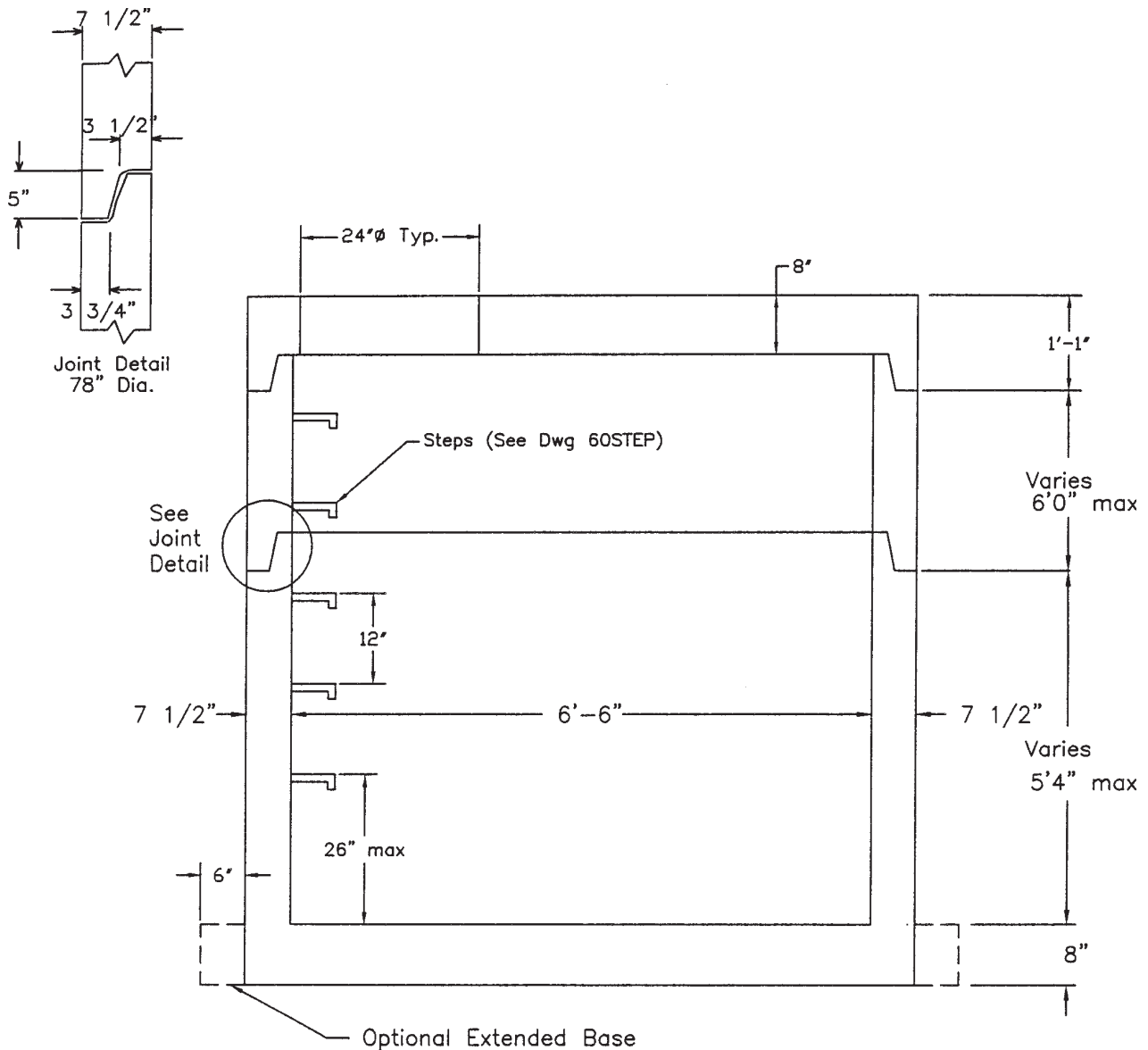
Phone: (607) 722-0334

Toll Free: 1-800-336-1474

Website: www.binghamtonprecast.com

B7 78" ϕ Extended and Non-Extended Base Manhole w/Flat Slab Cover

Drawing Number 037802



- Access 24" ϕ or as specified
- Pipe connections, type, size, and location as specified
- Butyl seal joints
- Meets ASTM C478

- Non-Extended base wt. = 4750 lbs.
- Extended base wt. = 6040 lbs.
- Cover slab wt. = 4550 lbs.
- Barrel section wt. = 2100 lbs/ft.

18 Phelps Street, Binghamton, NY 13901

Fax: (607) 722-0496

Email: sales@binghamtonprecast.com

Phone: (607) 722-0334

Toll Free: 1-800-336-1474

Website: www.binghamtonprecast.com

Binghamton

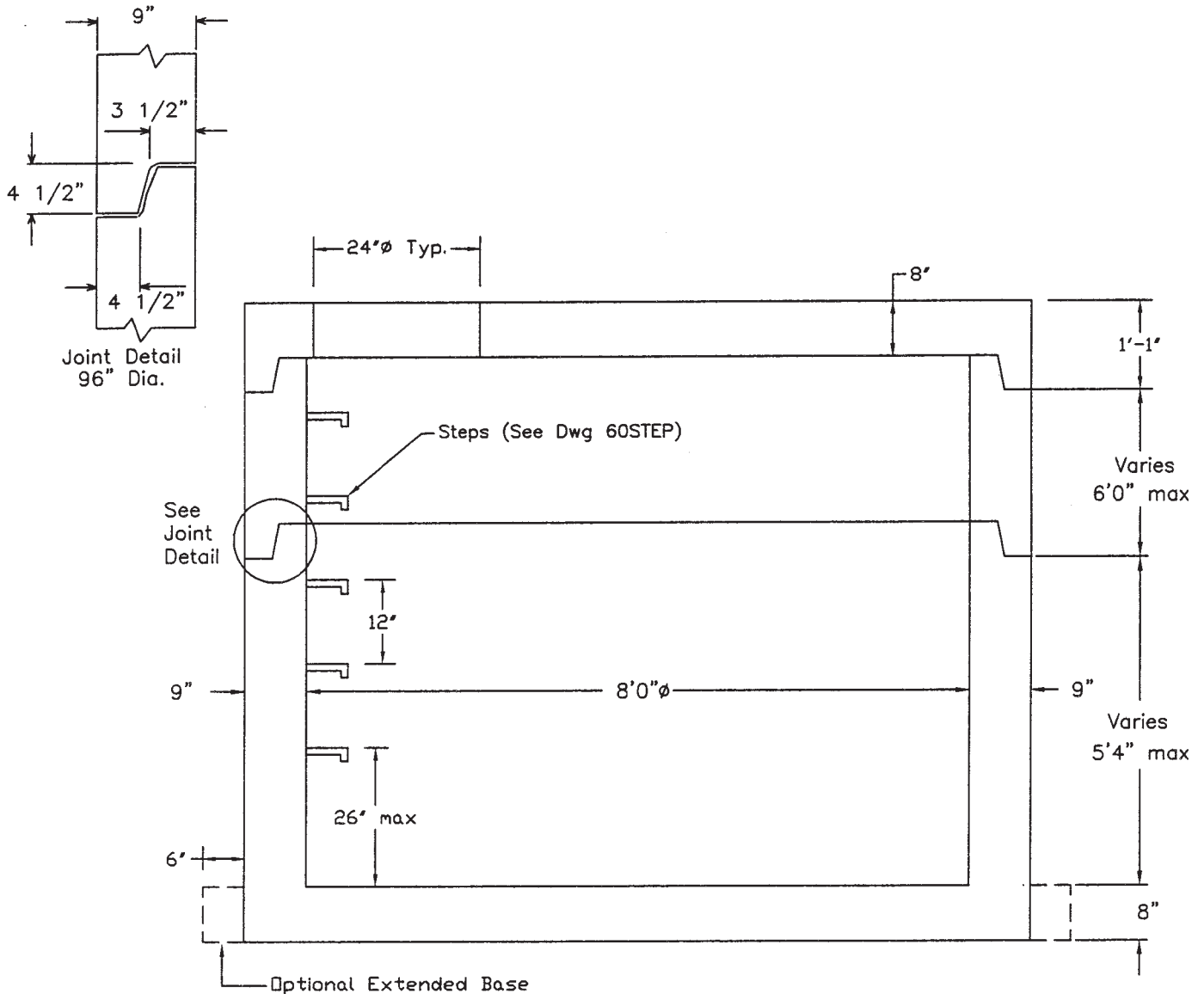


**Precast
& Supply**

96" ø Extended and Non-Extended Base Manhole w/Flat Slab Cover

B8

Drawing Number 039602



- Access 24"ø or as specified
- Pipe connections, type, size, and location as specified
- Butyl seal joints
- Meets ASTM C478

- Non-Extended base wt. = 7120 lbs.
- Extended base wt. = 8690 lbs.
- Cover slab wt. = 7300 lbs.
- Barrel section wt. = 3090 lbs/ft.

Binghamton



**Precast
& Supply**

18 Phelps Street, Binghamton, NY 13901

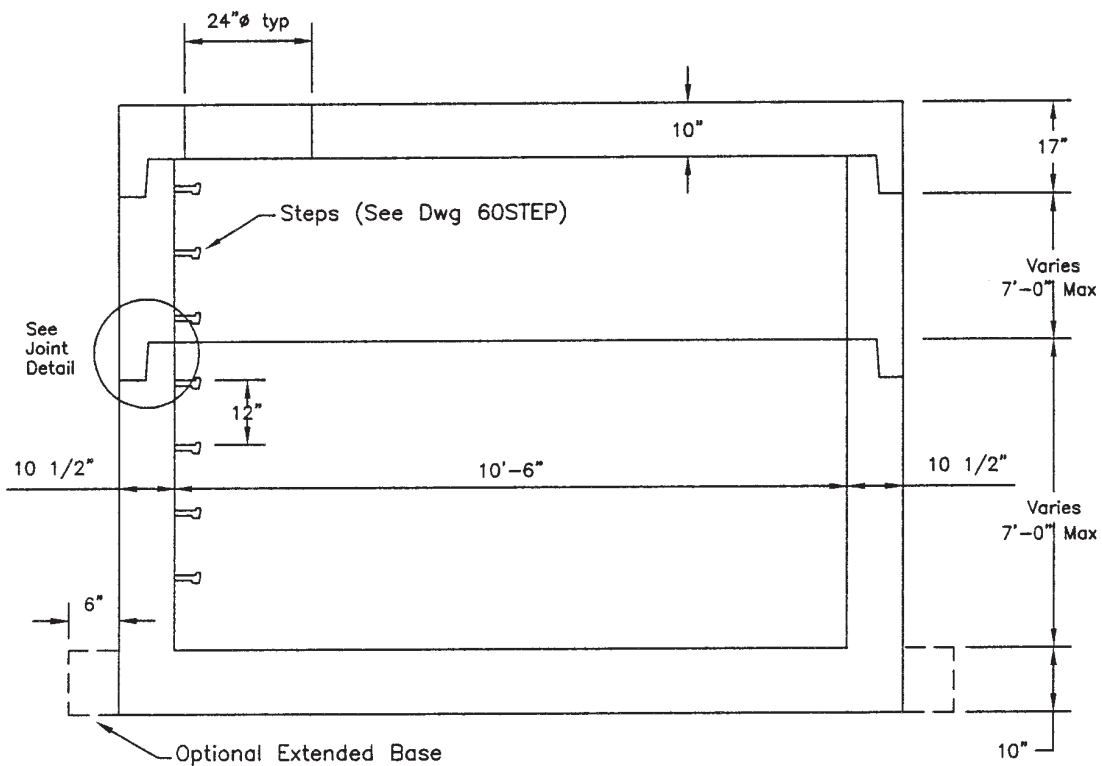
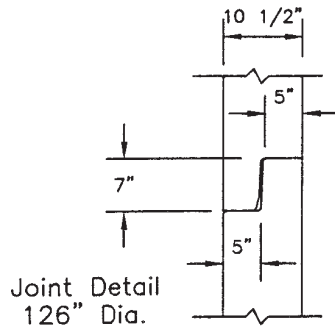
Fax: (607) 722-0496

Email: sales@binghamtonprecast.com

Phone: (607) 722-0334

Toll Free: 1-800-336-1474

Website: www.binghamtonprecast.com

B9**126" ø Extended and Non-Extended Base Manhole w/Flat Slab Cover****Drawing Number 03126**

- Access 24"ø or as specified
- Pipe connections, type, size, and location, as specified
- Butyl seal joints
- Meets ASTM C478
- Non-Extended base wt. - 14,730 lbs.
- Extended base wt. - 17,240 lbs.
- Cover slab wt. - 16,100 lbs.
- Barrel section wt. - 4,700 lbs. per ft.

18 Phelps Street, Binghamton, NY 13901

Fax: (607) 722-0496

Email: sales@binghamtonprecast.com

Phone: (607) 722-0334

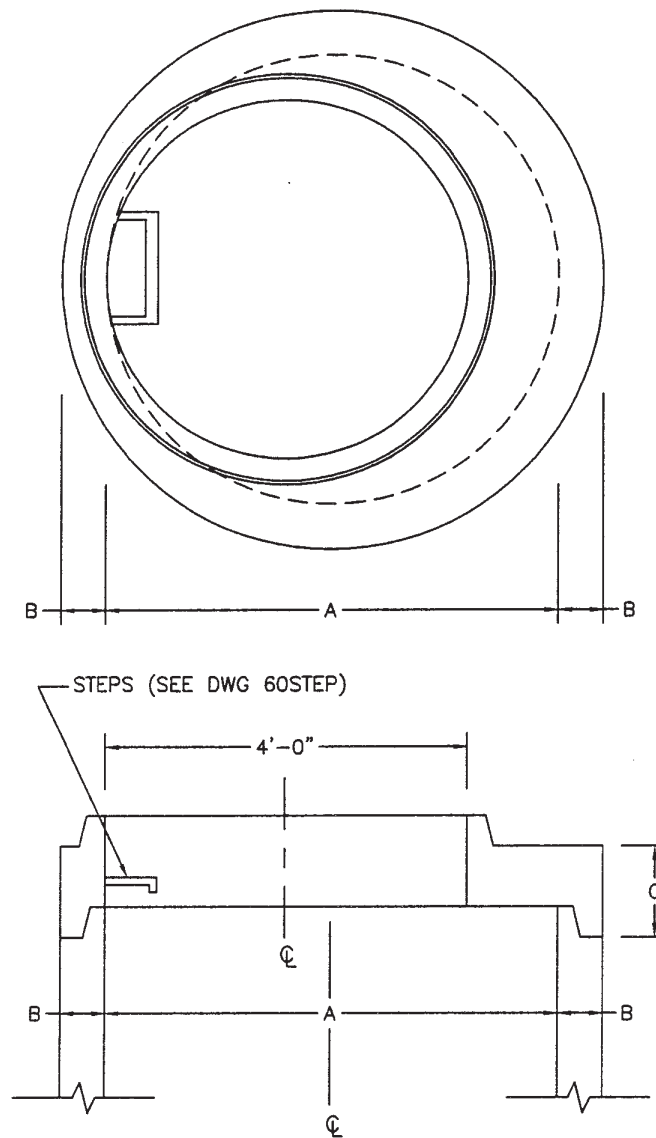
Toll Free: 1-800-336-1474

Website: www.binghamtonprecast.com**Binghamton****Precast
& Supply**

Reducer Sections For Round Manholes

B10

Drawing Number 03248R



Dim A	Dim. B	Dim. C	Weight
60"	6"	13"	2,005 lbs.
72"	7"	13"	3,298 lbs.
78"	7 1/2"	13"	4,088 lbs.
96"	9"	13"	10,266 lbs.
126"	10 1/2"	17"	17,929 lbs.

- Butyl Seal Joints
- Meets or exceeds ASTM C478
AASHTO HS-20, ACI 318

Binghamton



**Precast
& Supply**

18 Phelps Street, Binghamton, NY 13901

Fax: (607) 722-0496

Email: sales@binghamtonprecast.com

Phone: (607) 722-0334

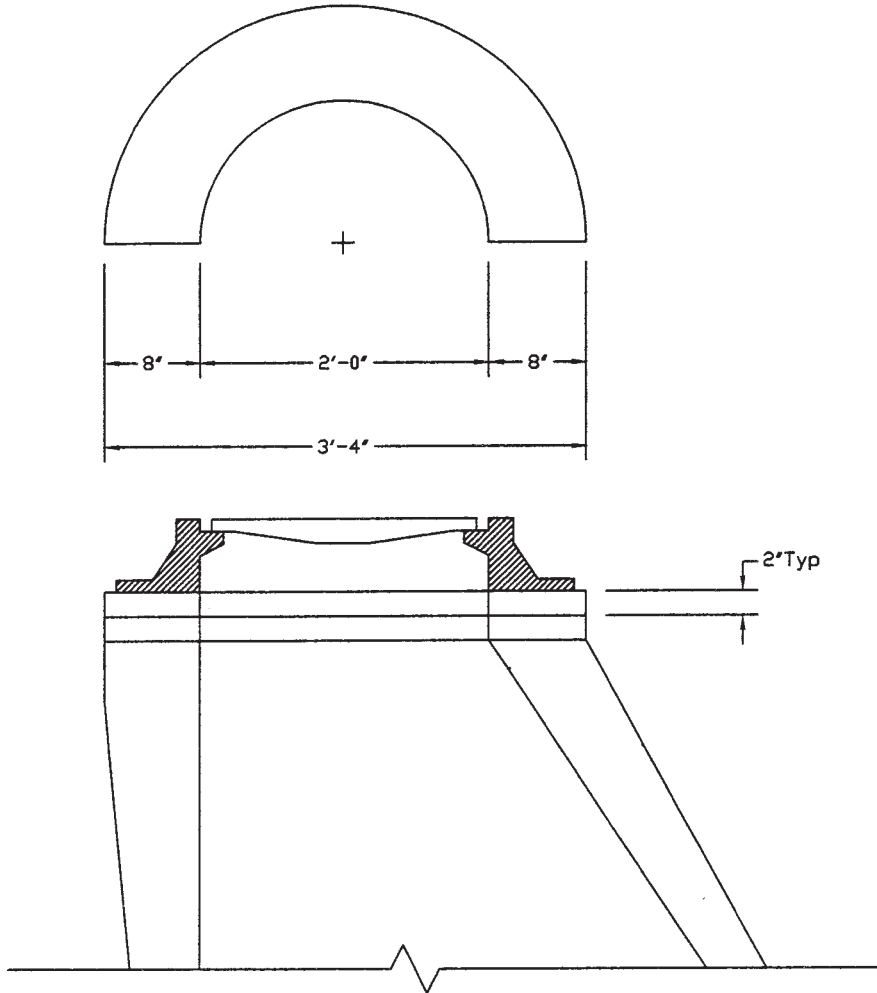
Toll Free: 1-800-336-1474

Website: www.binghamtonprecast.com

B11

Split Grade Adjustment Ring

Drawing Number 04240



- Meets ASTM C478
- 24" ϕ access only
- Weight = 70 lbs. per 1/2 sec.

18 Phelps Street, Binghamton, NY 13901

Fax: (607) 722-0496

Email: sales@binghamtonprecast.com

Phone: (607) 722-0334

Toll Free: 1-800-336-1474

Website: www.binghamtonprecast.com

Binghamton

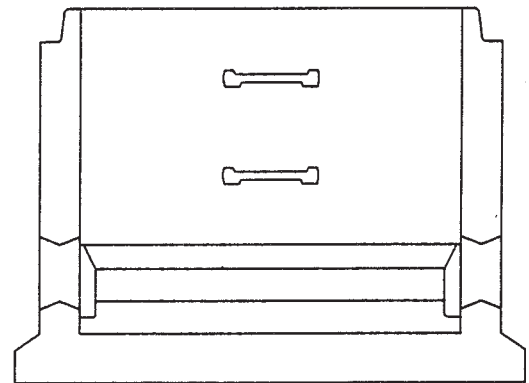
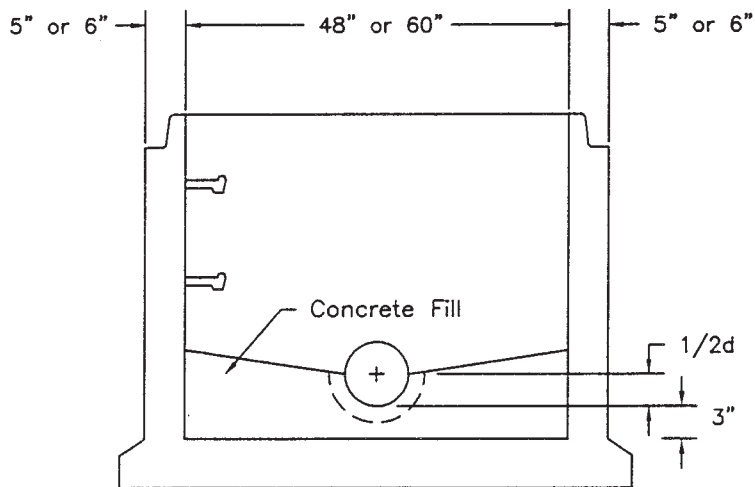
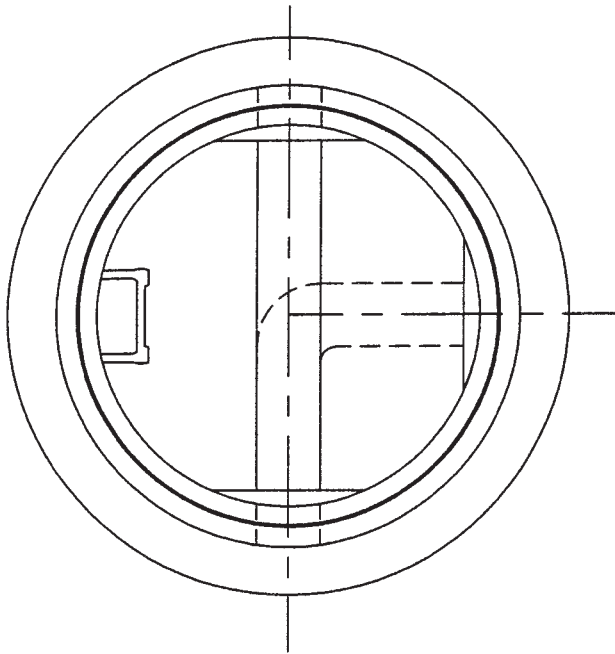


**Precast
& Supply**

Prepoured Invert for 48" Manholes

B12

Drawing Number 03486



- Use with A-lok or Z-lok gasket
- Pipe diameter (d) as specified

Binghamton



**Precast
& Supply**

18 Phelps Street, Binghamton, NY 13901

Fax: (607) 722-0496

Email: sales@binghamtonprecast.com

Phone: (607) 722-0334

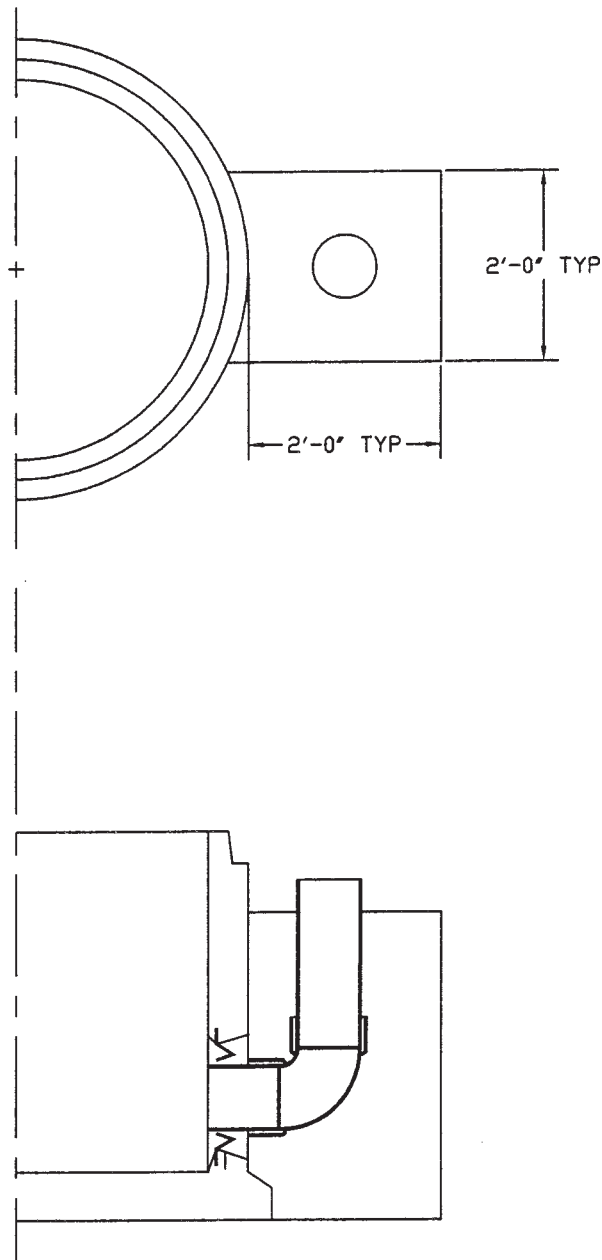
Toll Free: 1-800-336-1474

Website: www.binghamtonprecast.com

B13

Outside Drop For 48" Dia. Manholes

Drawing Number 03487



- Extended or non-extended base
- Pipe diameter as specified

18 Phelps Street, Binghamton, NY 13901

Fax: (607) 722-0496

Email: sales@binghamtonprecast.com

Phone: (607) 722-0334

Toll Free: 1-800-336-1474

Website: www.binghamtonprecast.com

Binghamton

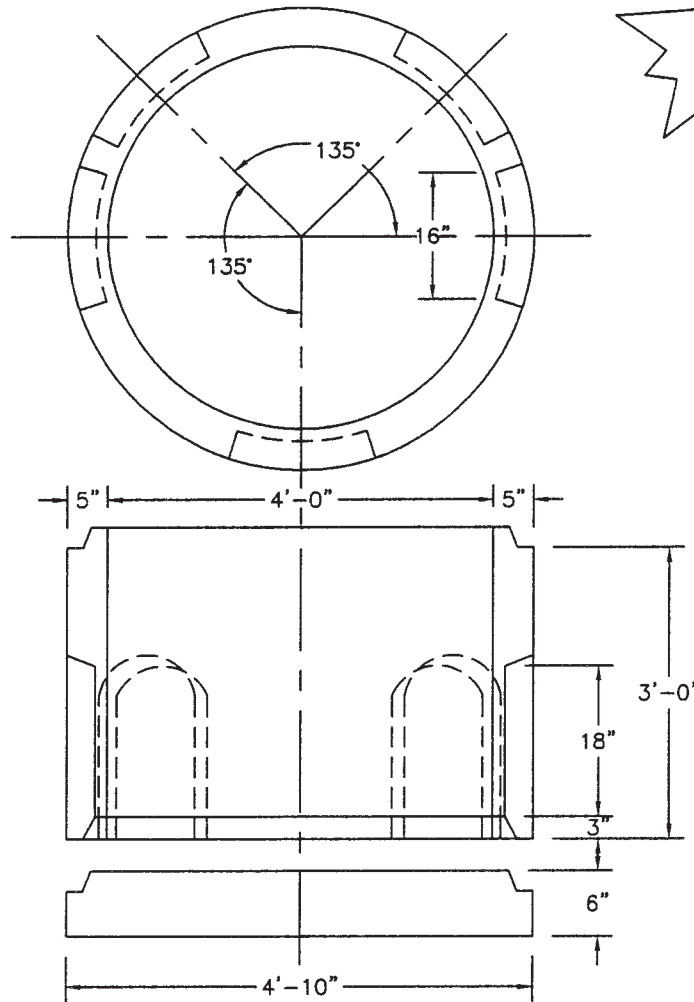


**Precast
& Supply**

Standard Doghouse Manhole w/Detached Base B14

Drawing Number 03485

IN STOCK



- Knockouts as shown
- Risers, cones or flat slabs available
- Butyl seal joints
- Meets ASTM C478 Specifications
- Base slab wt. = 1845 lbs.
- Riser sec. wt. = 2595 lbs.

Binghamton



**Precast
& Supply**

18 Phelps Street, Binghamton, NY 13901

Fax: (607) 722-0496

Email: sales@binghamtonprecast.com

Phone: (607) 722-0334

Toll Free: 1-800-336-1474

Website: www.binghamtonprecast.com