

# HIGHWAY PRODUCTS

# A

## Index

Product	Drawing Number	Page
Type 'A' Safety Ramp .....	Safety Ramp .....	A1
Cattle Pass .....	Cattlep .....	A2
Transverse Drainage Interceptor .....	11TDR .....	A3
Precast Concrete Temporary Barrier .....	11TMB20 .....	A4
Precast Concrete Temporary Barrier Left End Section .....	11TMBEL .....	A5
Precast Concrete Temporary Barrier Right End Section .....	11TMBER .....	A6
NYSDOT Pier Protection .....	Pier .....	A7
NYSDOT Permanent Type A Median Barrier .....	Permbar .....	A8
NYSDOT Single Slope Half Section Median Barrier .....	Ssbar .....	A9
Slope Guide Rail Anchor Block .....	11GRA1 .....	A10
Flat Guide Rail Anchor Block .....	11GRA2 .....	A11
Barrier Transition to Box Beam Guide Rail .....	TRANSITI .....	A12
Transition Between Box Beam Barrier & Single Slope Half Section .....	11TransHalf .....	A13
Transition Between Box Beam Median Barrier & Single Slope Conc. Barrier .....	11TransFull .....	A14

*Binghamton Precast & Supply is an approved manufacturer for both New York State DOT and Pennsylvania DOT. We manufacture a full line of highway products for both states.*

### Products Manufactured Include:

- Safety Ramps
- Single Slope Barriers
- Guide Rail Anchor Blocks
- Cattle Pass
- Pier Protection
- Temporary Barriers
- Asymmetrical Barriers

**Binghamton**



**Precast  
& Supply**

18 Phelps Street, Binghamton, NY 13901

Fax: (607) 722-0496

Email: [sales@binghamtonprecast.com](mailto:sales@binghamtonprecast.com)

Phone: (607) 722-0334

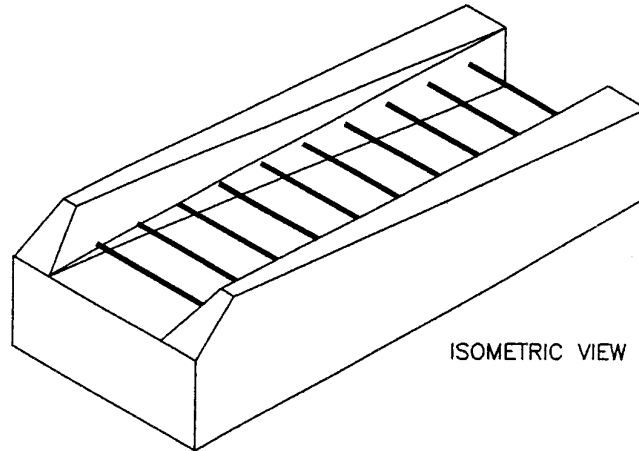
Toll Free: 1-800-336-1474

Website: [www.binghamtonprecast.com](http://www.binghamtonprecast.com)

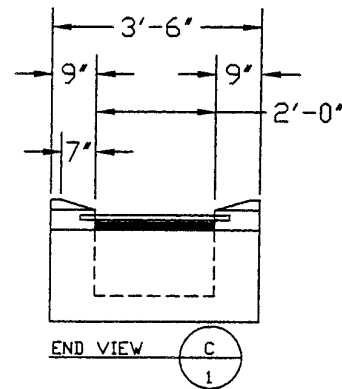
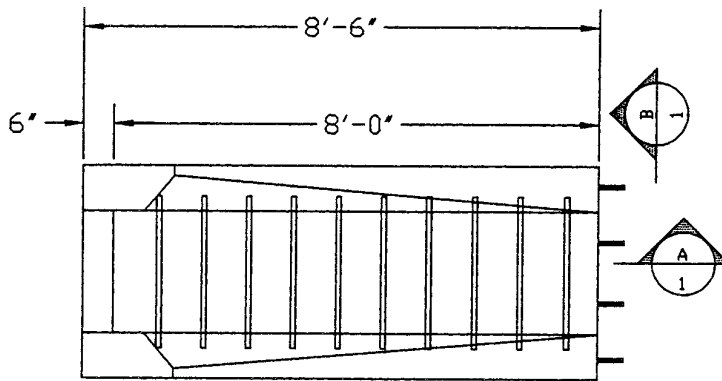
# A1

# Type 'A' Safety Ramp

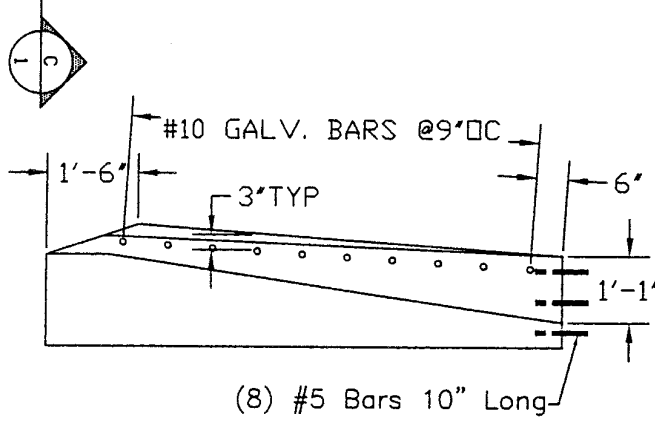
Drawing Number SAFETY



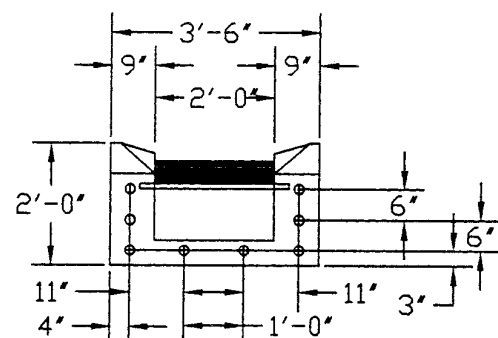
ISOMETRIC VIEW



END VIEW C  
1



SECTION VIEW A  
1



END VIEW B  
1

- Weight = 5800 lbs.
- Meets NYSDOT Standard Specification 706-04

18 Phelps Street, Binghamton, NY 13901

Fax: (607) 722-0496

Email: [sales@binghamtonprecast.com](mailto:sales@binghamtonprecast.com)

Phone: (607) 722-0334

Toll Free: 1-800-336-1474

Website: [www.binghamtonprecast.com](http://www.binghamtonprecast.com)

**Binghamton**

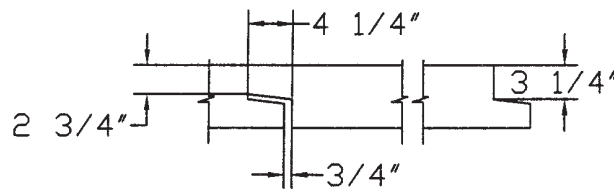
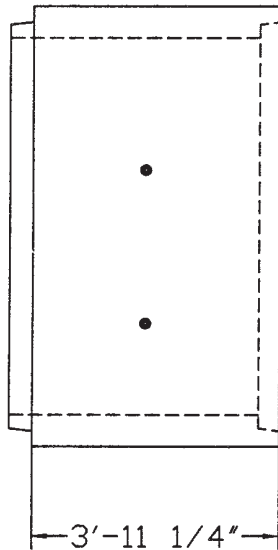
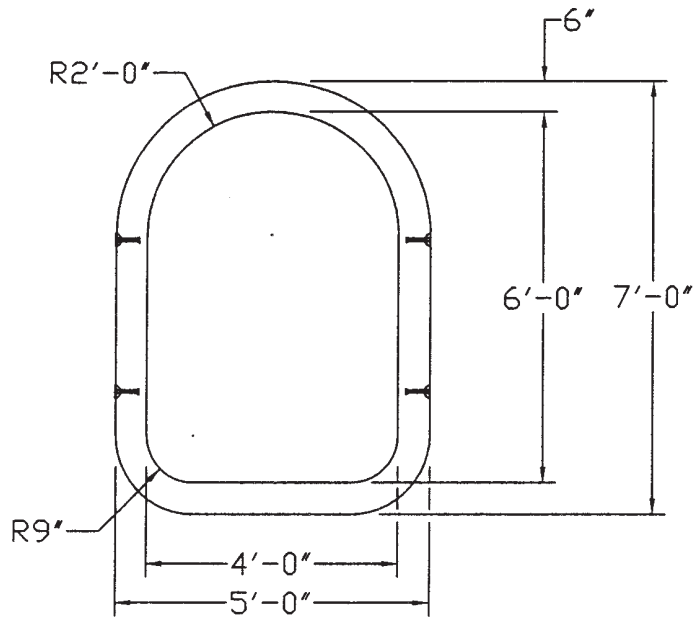


**Precast  
& Supply**

# Cattle Pass

A2

Drawing Number CATTLEP



JOINT DETAIL

- Meets NYSDOT Standard Specification 706-02
- Weight = 5,700 lbs

**Binghamton**



**Precast  
& Supply**

18 Phelps Street, Binghamton, NY 13901

Fax: (607) 722-0496

Email: [sales@binghamtonprecast.com](mailto:sales@binghamtonprecast.com)

Phone: (607) 722-0334

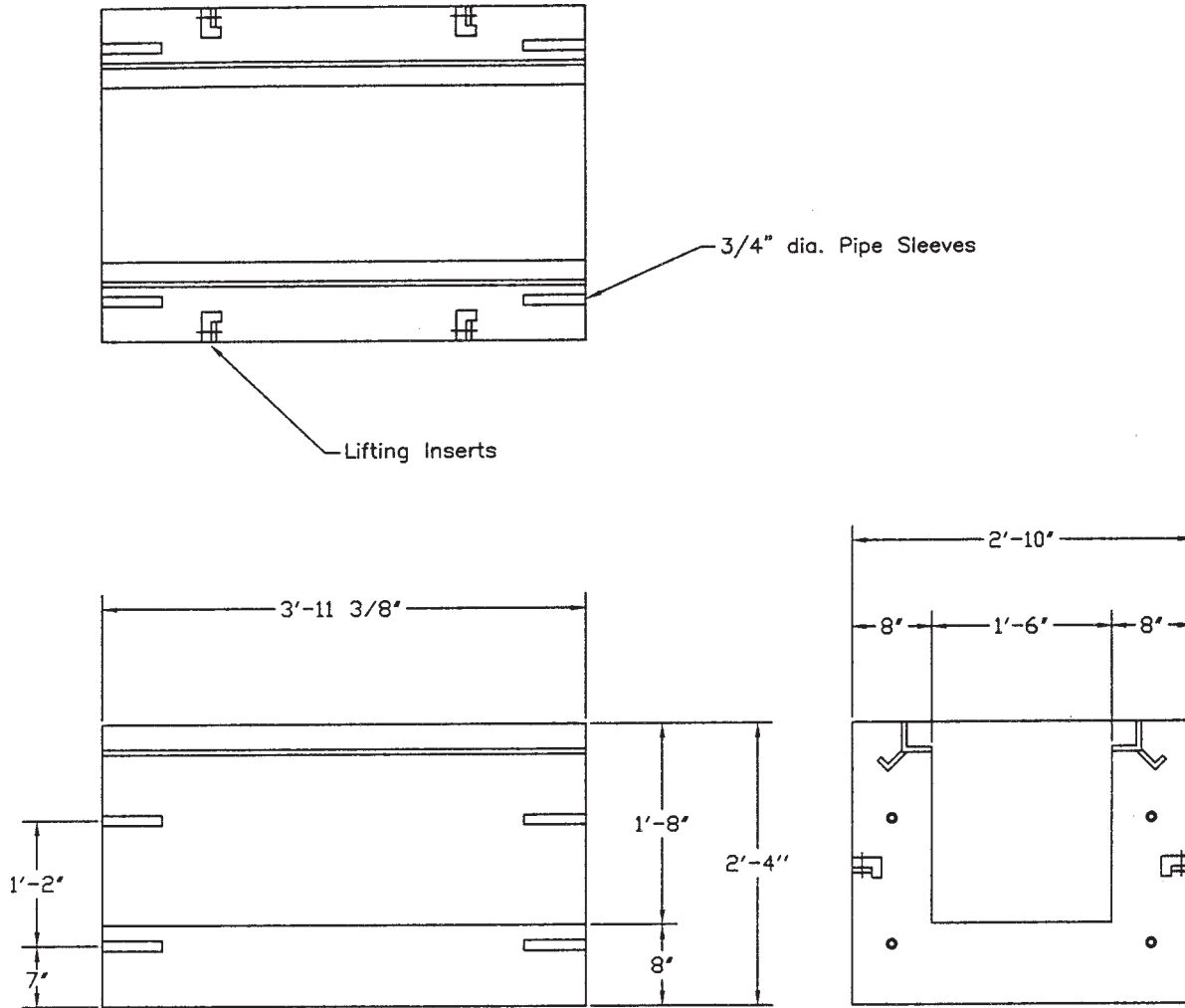
Toll Free: 1-800-336-1474

Website: [www.binghamtonprecast.com](http://www.binghamtonprecast.com)

# A3

# Transverse Drainage Interceptor

**Drawing Number 11TDR**



- Available with or without grate
- Meets NYSDOT Standard Sheet 604-1
- Weight = 2465 lbs

18 Phelps Street, Binghamton, NY 13901

Fax: (607) 722-0496

Email: [sales@binghamtonprecast.com](mailto:sales@binghamtonprecast.com)

Phone: (607) 722-0334

Toll Free: 1-800-336-1474

Website: [www.binghamtonprecast.com](http://www.binghamtonprecast.com)

**Binghamton**

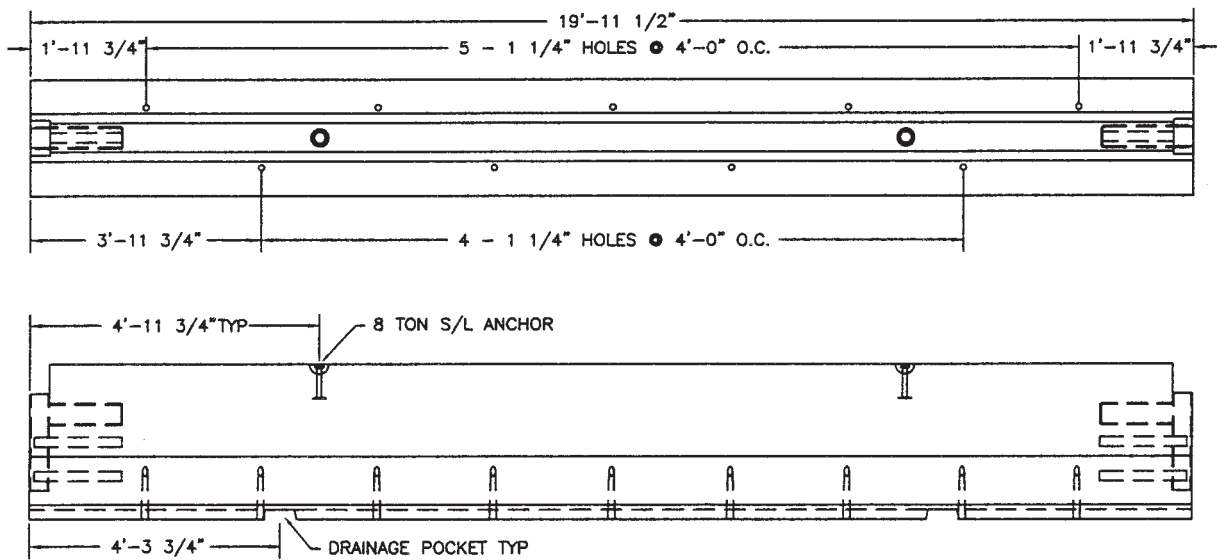
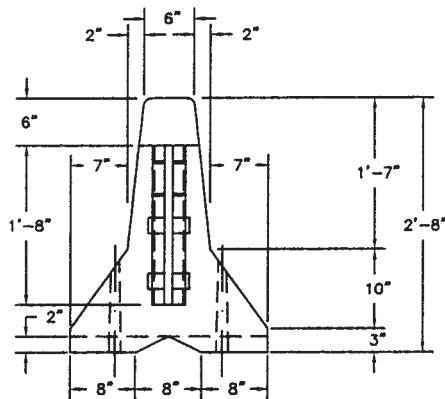


**Precast  
& Supply**

# Precast Concrete Temporary Barrier

A4

Drawing Number 11TMB20



- Meets NYSDOT Standard Sheet 619-R3
- Connection Hardware and Anchor Rods Available
- Weight = Approx. 8201 lbs.

**Binghamton**



**Precast  
& Supply**

18 Phelps Street, Binghamton, NY 13901

Fax: (607) 722-0496

Email: [sales@binghamtonprecast.com](mailto:sales@binghamtonprecast.com)

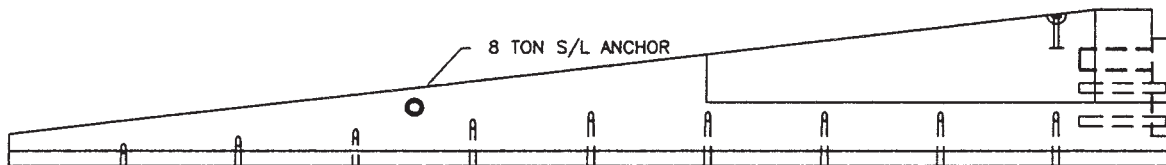
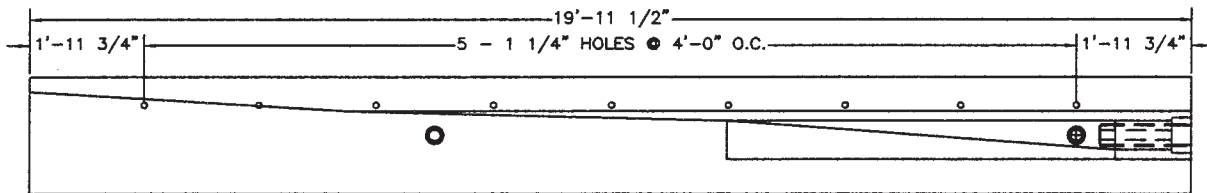
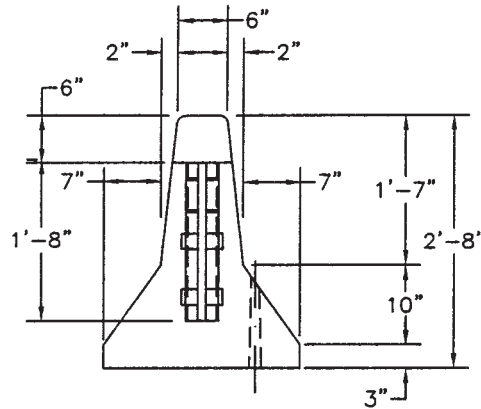
Phone: (607) 722-0334

Toll Free: 1-800-336-1474

Website: [www.binghamtonprecast.com](http://www.binghamtonprecast.com)

# A5 Precast Concrete Temporary Barrier Left End Section

Drawing Number 11TMBEL



- Meets NYSDOT Standard Sheet 619-R3
- Connection Hardware and Anchor Rods Available
- Weight = Approx. 6200 lbs.

18 Phelps Street, Binghamton, NY 13901

Fax: (607) 722-0496

Email: [sales@binghamtonprecast.com](mailto:sales@binghamtonprecast.com)

Phone: (607) 722-0334

Toll Free: 1-800-336-1474

Website: [www.binghamtonprecast.com](http://www.binghamtonprecast.com)

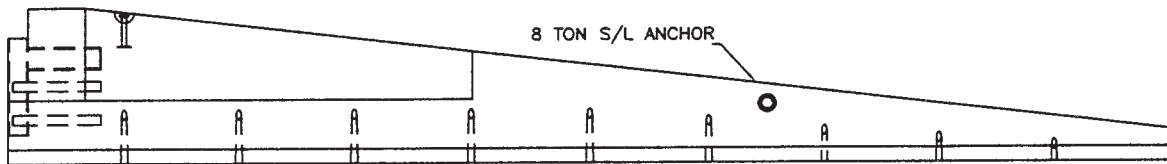
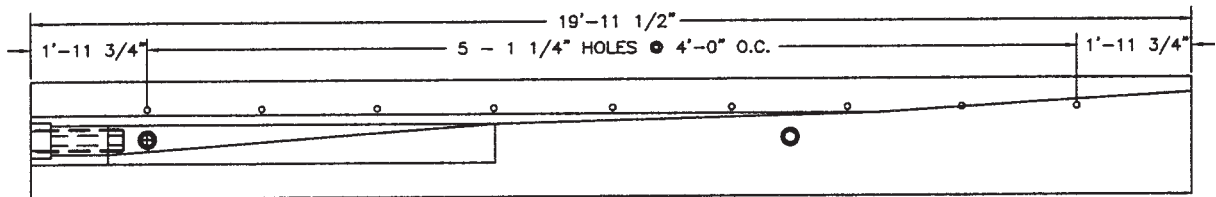
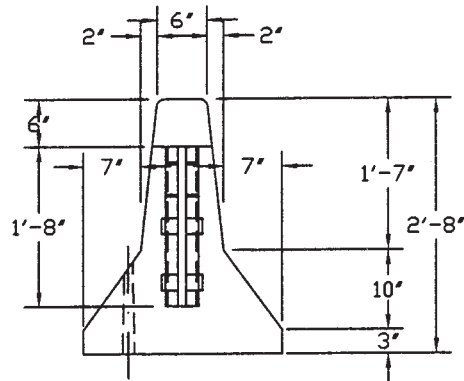
**Binghamton**



**Precast  
& Supply**

# Precast Concrete Temporary Barrier Right End Section A6

Drawing Number 11TMBER



- MEETS NYSDOT STANDARD SHEET 619-R3
- CONNECTION HARDWARE AND ANCHOR RODS AVAILABLE.
- WEIGHT = APPROX 6200 lbs.

**Binghamton**



**Precast  
& Supply**

18 Phelps Street, Binghamton, NY 13901

Fax: (607) 722-0496

Email: [sales@binghamtonprecast.com](mailto:sales@binghamtonprecast.com)

Phone: (607) 722-0334

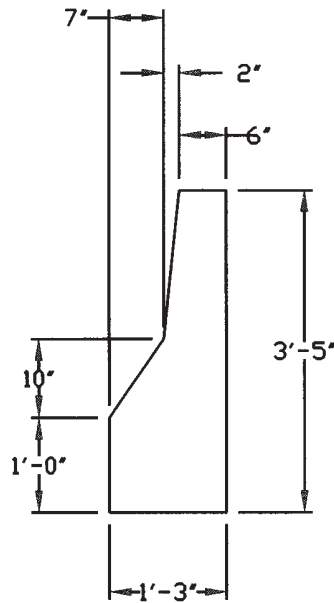
Toll Free: 1-800-336-1474

Website: [www.binghamtonprecast.com](http://www.binghamtonprecast.com)

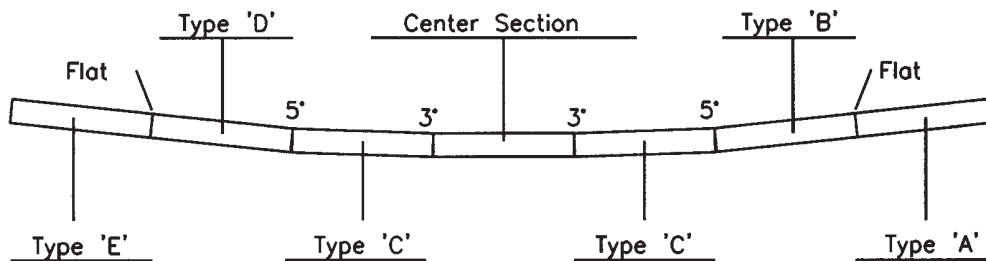
# A7

# NYSDOT Pier Protection

Drawing Number PIER



Cross Section



Typical 2 - Way layout

- Meets NYSDOT Standard Sheet 606-25
- Continuity connection hardware available
- Custom lengths available
- Weight per foot = 446 lbs.

18 Phelps Street, Binghamton, NY 13901

Fax: (607) 722-0496

Email: [sales@binghamtonprecast.com](mailto:sales@binghamtonprecast.com)

Phone: (607) 722-0334

Toll Free: 1-800-336-1474

Website: [www.binghamtonprecast.com](http://www.binghamtonprecast.com)

**Binghamton**



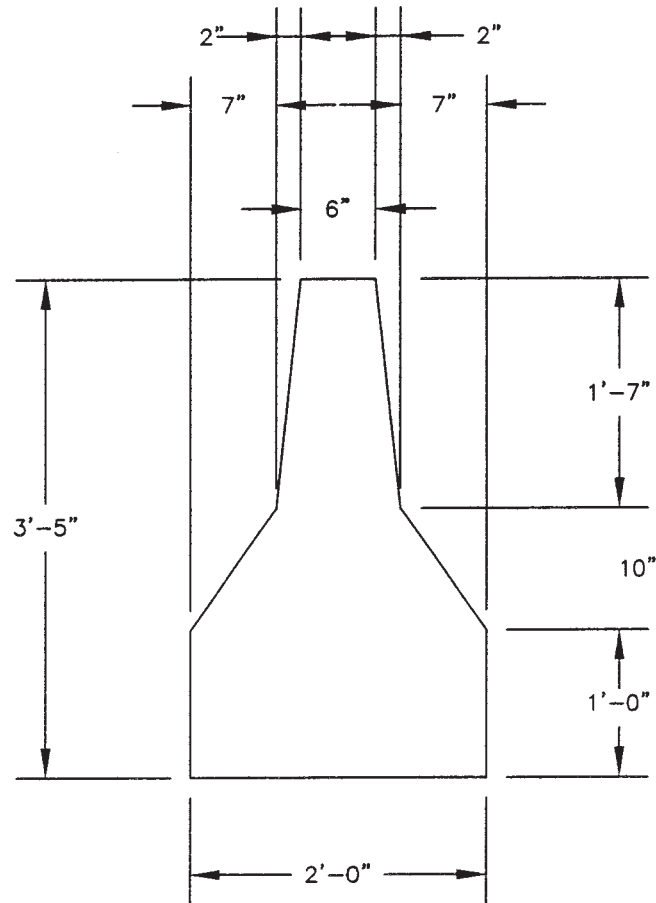
**Precast  
& Supply**



# NYSDOT Permanent Median Barrier

A8

Drawing Number PERMBAR



Cross Section

- Meets NYSDOT Standards Sheet 606-21
- Weight per 20'-0" section = 12,708 lbs.

**Binghamton**



**Precast  
& Supply**

18 Phelps Street, Binghamton, NY 13901

Fax: (607) 722-0496

Email: [sales@binghamtonprecast.com](mailto:sales@binghamtonprecast.com)

Phone: (607) 722-0334

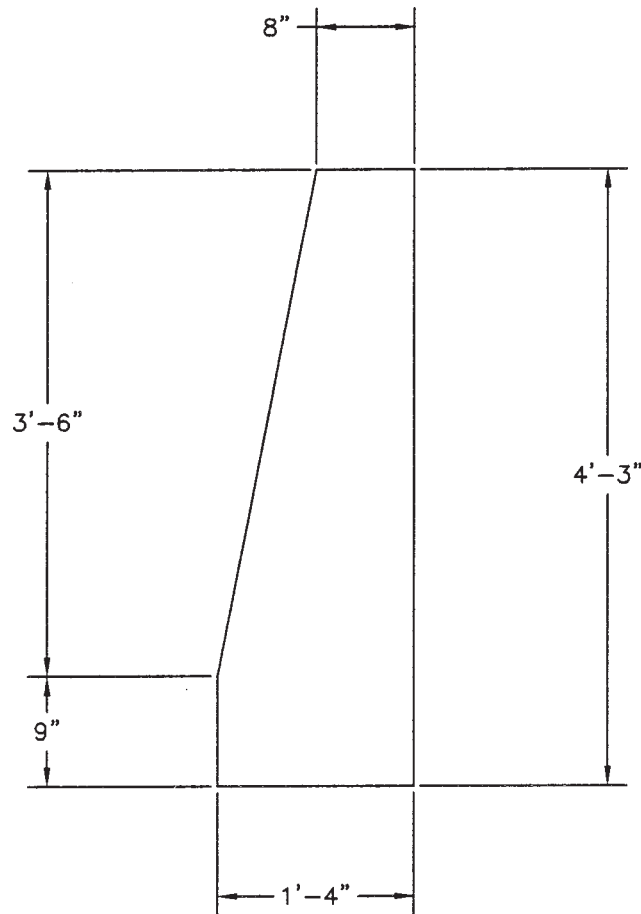
Toll Free: 1-800-336-1474

Website: [www.binghamtonprecast.com](http://www.binghamtonprecast.com)

# A9

# NYSDOT Single Slope Median Barrier

Drawing Number SSBAR



Cross Section

- Meets NYSDOT Standards Sheet 606-27
- Weight per foot = 675 lbs.
- Continuity connectors available

18 Phelps Street, Binghamton, NY 13901

Fax: (607) 722-0496

Email: [sales@binghamtonprecast.com](mailto:sales@binghamtonprecast.com)

Phone: (607) 722-0334

Toll Free: 1-800-336-1474

Website: [www.binghamtonprecast.com](http://www.binghamtonprecast.com)

**Binghamton**

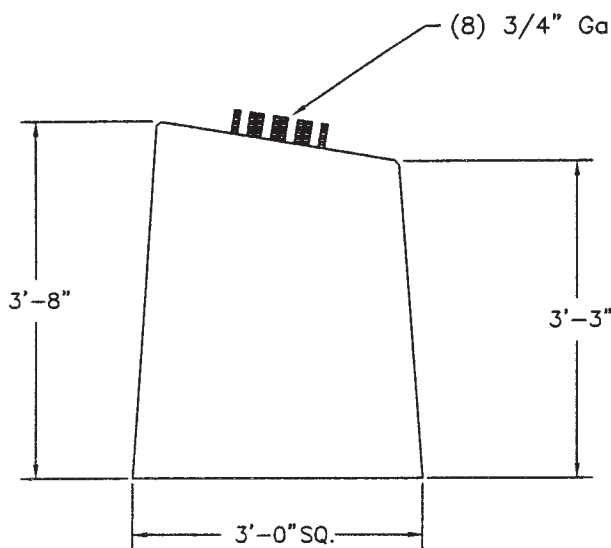
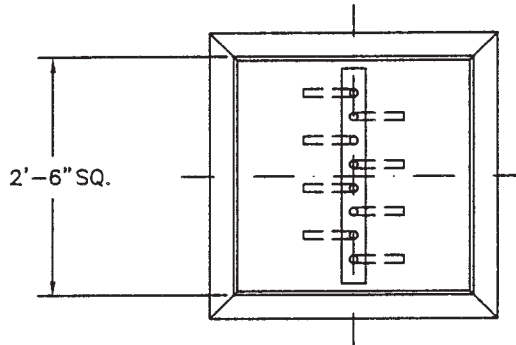
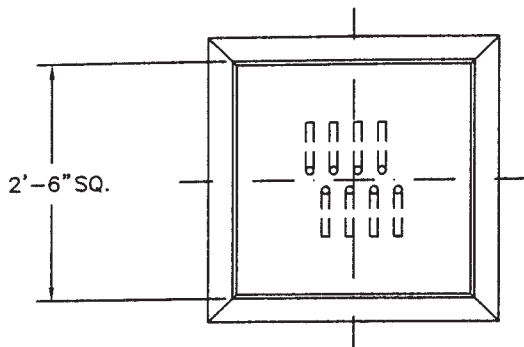


**Precast  
& Supply**

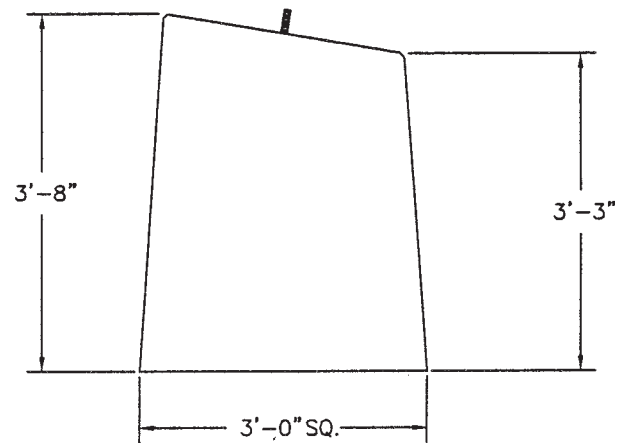
# Precast Concrete Sloped Guide Rail Anchor Blocks

# A10

Drawing Number 11GRA1



Anchor for Cable  
Guide Railing



Anchor for Corrugated  
Beam Guide Railing

- Meets NYSDOT Standard Sheet M606-6
- Weight = Approx. 3936 lbs.

**Binghamton**



**Precast  
& Supply**

18 Phelps Street, Binghamton, NY 13901

Fax: (607) 722-0496

Email: [sales@binghamtonprecast.com](mailto:sales@binghamtonprecast.com)

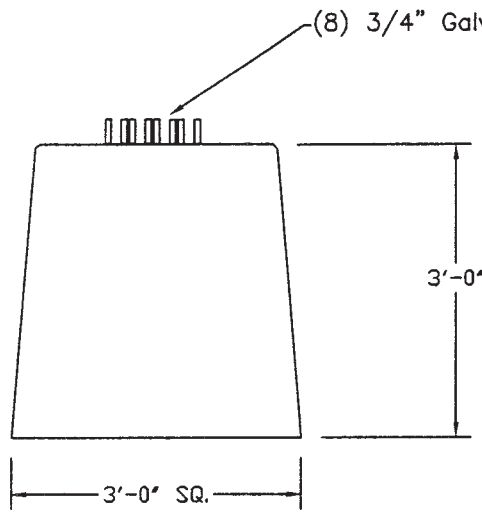
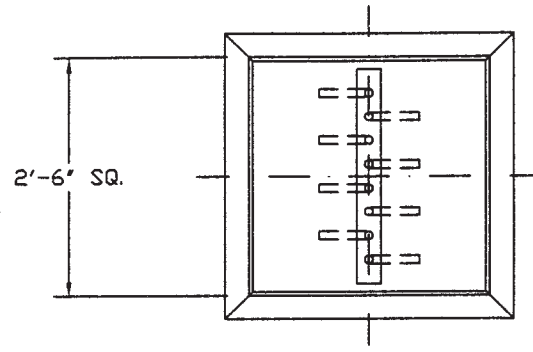
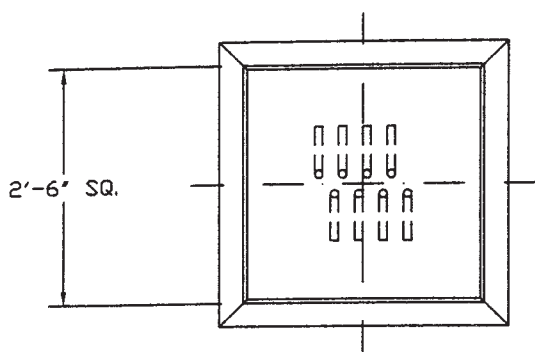
Phone: (607) 722-0334

Toll Free: 1-800-336-1474

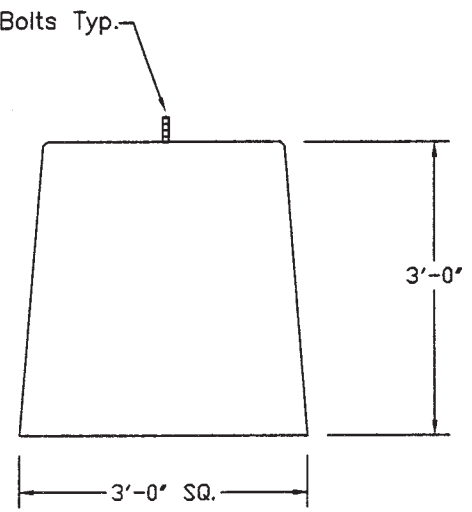
Website: [www.binghamtonprecast.com](http://www.binghamtonprecast.com)

# A11 Precast Concrete Flat Guide Rail Anchor Block

Drawing Number 11GRA2



Anchor for Cable Guide Railing



Anchor for Corrugated Beam Guide Railing

- Meets NYSDOT Standard Sheet M606-7
- Weight = Approx 3403 lbs.

18 Phelps Street, Binghamton, NY 13901

Fax: (607) 722-0496

Email: [sales@binghamtonprecast.com](mailto:sales@binghamtonprecast.com)

Phone: (607) 722-0334

Toll Free: 1-800-336-1474

Website: [www.binghamtonprecast.com](http://www.binghamtonprecast.com)

**Binghamton**

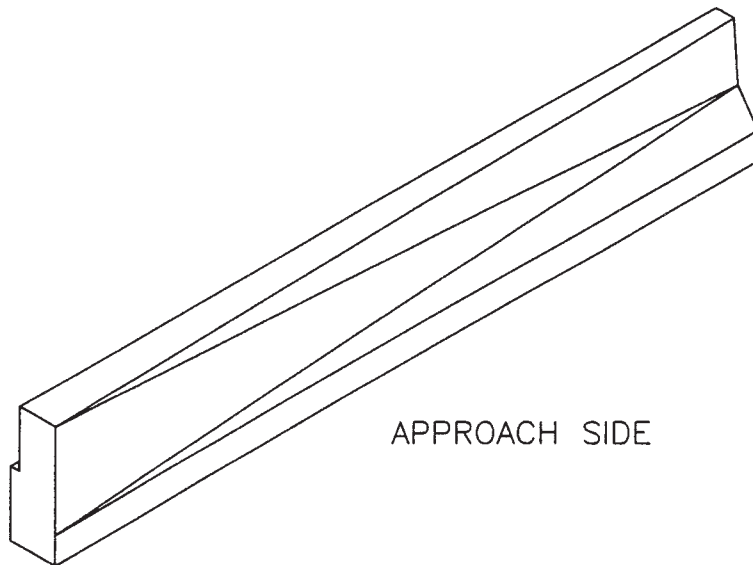
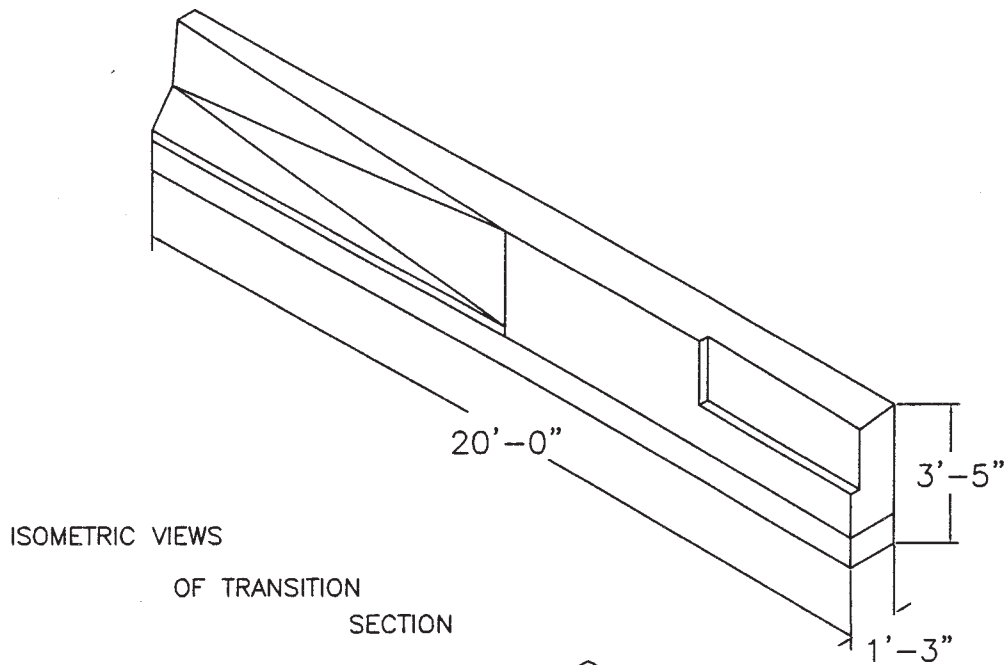


**Precast  
& Supply**

# Barrier Transition To Box Beam Guide Rail

# A12

Drawing Number TRANSITI



- Meets NYSDOT Standard Sheet M606-11
- Weight = 13,600 lbs.

**Binghamton**



**Precast  
& Supply**

18 Phelps Street, Binghamton, NY 13901

Fax: (607) 722-0496

Email: [sales@binghamtonprecast.com](mailto:sales@binghamtonprecast.com)

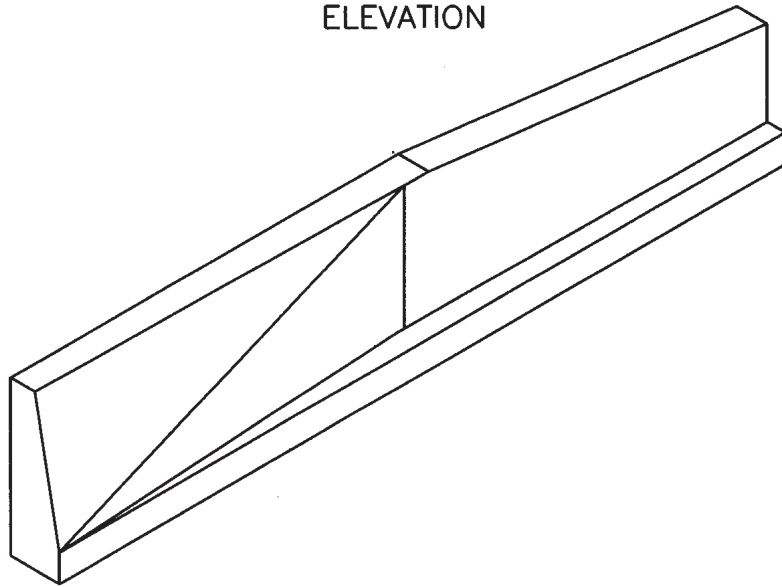
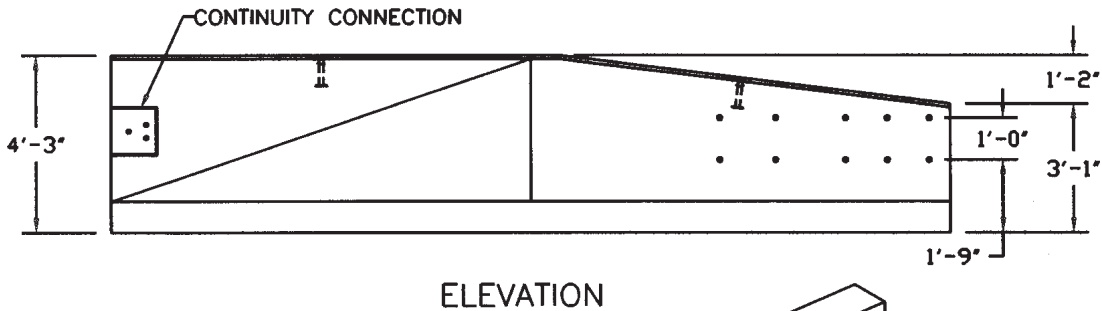
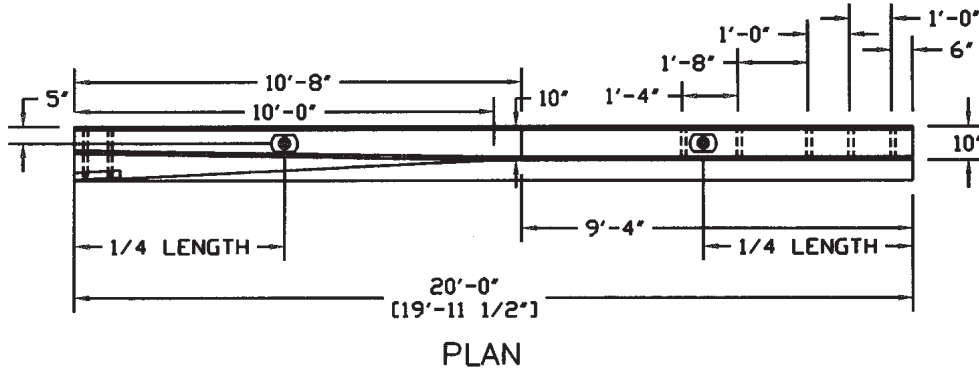
Phone: (607) 722-0334

Toll Free: 1-800-336-1474

Website: [www.binghamtonprecast.com](http://www.binghamtonprecast.com)

# A13 Transition Between Box Beam Barrier Guide Rail & Single Slope Half Section

11Transhlf



- Meets NYSDOT Standard Sheet M606-32 thru M606-34
- Weight = 14,182 lbs.

18 Phelps Street, Binghamton, NY 13901

Fax: (607) 722-0496

Email: [sales@binghamtonprecast.com](mailto:sales@binghamtonprecast.com)

Phone: (607) 722-0334

Toll Free: 1-800-336-1474

Website: [www.binghamtonprecast.com](http://www.binghamtonprecast.com)

**Binghamton**

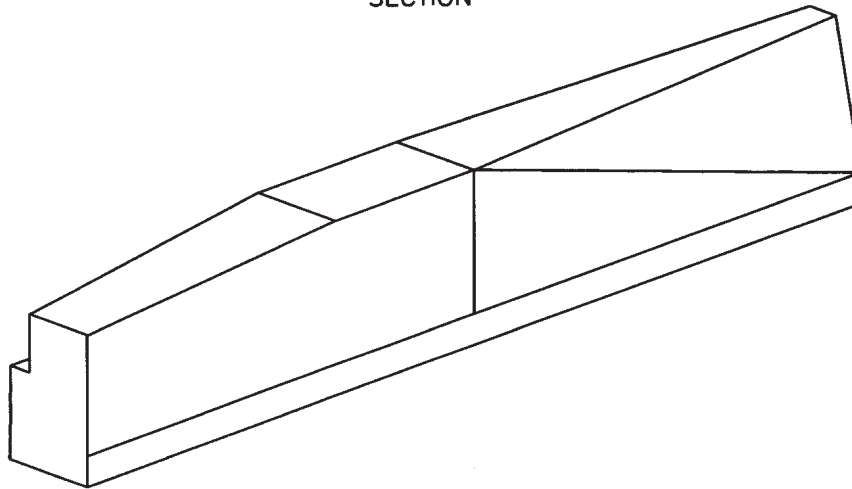
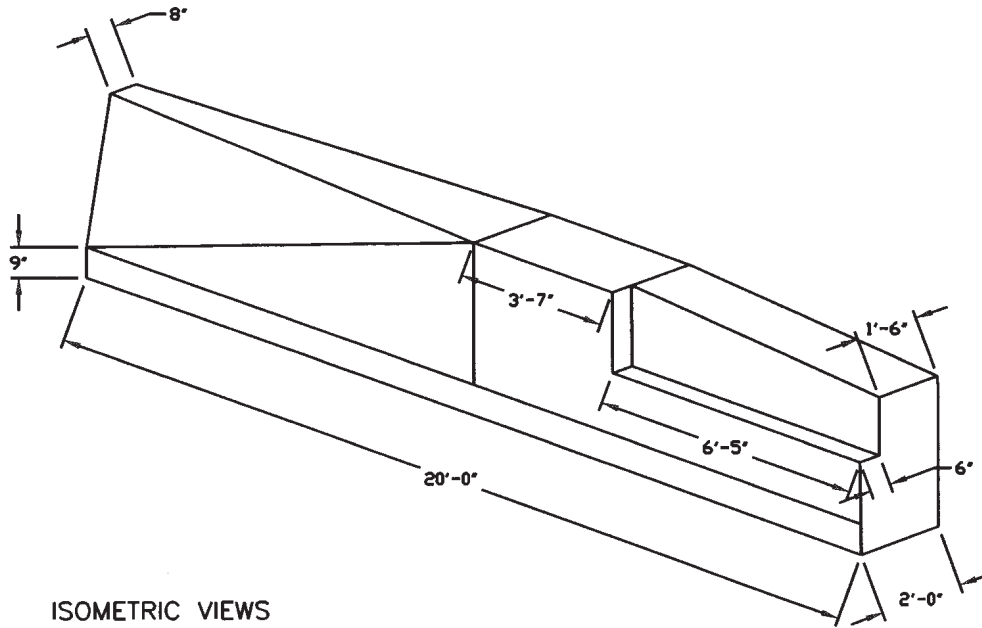


**Precast  
& Supply**

# Transition Between Box Beam Median Barrier & Single Slope Conc. Barrier

# A14

## 11Transfull



- Meets NYSDOT Standard Sheet M606-35 thru M606-37
- Weight = 24,000 lbs.

**Binghamton**



**Precast  
& Supply**

18 Phelps Street, Binghamton, NY 13901

Fax: (607) 722-0496

Email: [sales@binghamtonprecast.com](mailto:sales@binghamtonprecast.com)

Phone: (607) 722-0334

Toll Free: 1-800-336-1474

Website: [www.binghamtonprecast.com](http://www.binghamtonprecast.com)